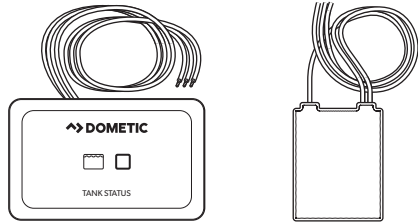


# DOMETIC SANITATION ACCESSORIES



DTM01E

**EN** Tank monitor  
Installation manual



- The installation must comply with all applicable local or national codes, including the latest edition of the following standards:

#### U.S.A.

- ANSI/NFPA70, National Electrical Code (NEC)
- American Boat and Yacht Council (ABYC)

#### Canada

- CSA C22.1, Parts I & II, Canadian Electrical Code

## 2 Intended use

The tank monitor is used to prevent damage to the boat by indicating when the wastewater holding tank is almost full. This tank monitor is only suitable for the intended purpose and application in accordance with these instructions.

This manual provides information that is necessary for proper installation and operation of the tank monitor. Poor installation will result in unsatisfactory performance and a possible failure. The manufacturer accepts no liability for any injury or damage to the product resulting from:

- Incorrect assembly or connection, including excess voltage
- Incorrect maintenance or use of spare parts other than original spare parts provided by the manufacturer
- Alterations to the product without express permission from the manufacturer
- Use for purposes other than those described in this manual

Dometic reserves the right to change product appearance and product specifications.

## 3 General information

The images used in this document are for reference purposes only. Components and component locations may vary according to specific product models. Measurements may vary ±0.38 in. (10 mm).

| Included parts  | Quantity |
|-----------------|----------|
| Indicator panel | 1        |
| Mounting frame  | 1        |
| Level sensor    | 1        |
| #6 fasteners    | 4        |

## Service Center & Dealer Locations

Visit: [www.dometic.com](http://www.dometic.com)

Please read these instructions carefully and follow all instructions, guidelines, and warnings included in this product manual in order to ensure that you install, use, and maintain the product properly at all times. These instructions **MUST** stay with this product.

By using the product, you hereby confirm that you have read all instructions, guidelines, and warnings carefully and that you understand and agree to abide by the terms and conditions as set forth herein. You agree to use this product only for the intended purpose and application and in accordance with the instructions, guidelines, and warnings as set forth in this product manual as well as in accordance with all applicable laws and regulations. A failure to read and follow the instructions and warnings set forth herein may result in an injury to yourself and others, damage to your product, or damage to other property in the vicinity. This product manual, including the instructions, guidelines, and warnings, and related documentation, may be subject to changes and updates. For up-to-date product information, please visit [www.dometic.com](http://www.dometic.com).

## 1 Explanation of symbols and safety instructions

This manual has safety information and instructions to help you eliminate or reduce the risk of accidents and injuries.

### 1.1 Recognize safety information

This is the safety alert symbol. It is used to alert you to potential physical injury hazards. Obey all safety messages that follow this symbol to avoid possible injury or death.

### 1.2 Understand signal words

A signal word will identify safety messages and property damage messages, and also will indicate the degree or level of hazard seriousness.

#### **!** WARNING

Indicates a hazardous situation that, if not avoided, could result in death or serious injury.

**NOTICE:** Used to address practices not related to physical injury.

**i** Indicates additional information that is not related to physical injury.

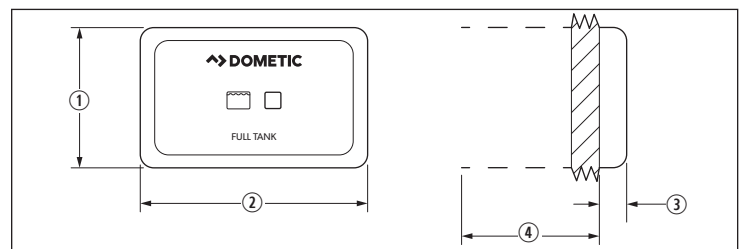
### 1.3 Supplemental directives

To reduce the risk of accidents and injuries, please observe the following directives before proceeding to install this product:

- Read and follow all safety information and instructions.
- Read and understand these instructions before installing this product.

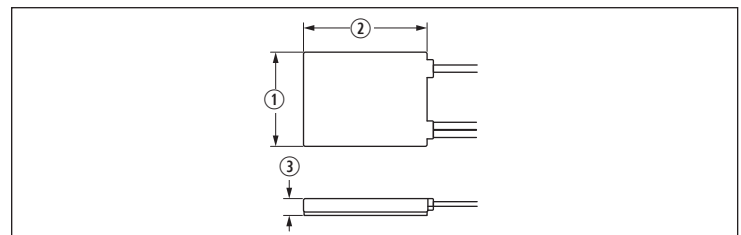
## 3.1 Dimensions

This section provides the dimensions for the indicator panel and level sensor.



### 1 Indicator panel dimensions

- ① 2.0 in. (61 mm)
- ② 3.25 in. (83 mm)
- ③ 0.375 in. (10 mm)
- ④ 2.0 in (51 mm) minimum clearance behind wall



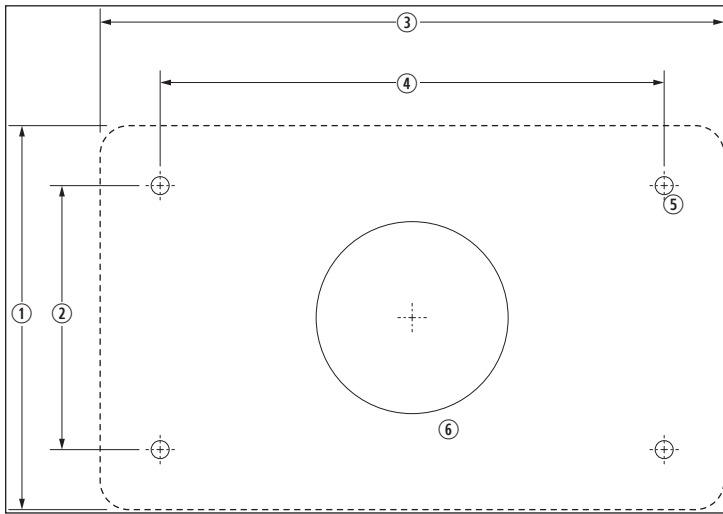
### 2 Level sensor dimensions

- ① 1.53 in. (39 mm)
- ② 1.99 in. (51 mm)
- ③ 0.27 in. (7 mm)

### 3.2 Indicator panel template

This template provides the measurements, pilot hole, and cut-out locations for the indicator panel.

**i** Allow 2.0 in. (51 mm) minimum clearance behind the mounting location.



#### 3 Indicator panel template

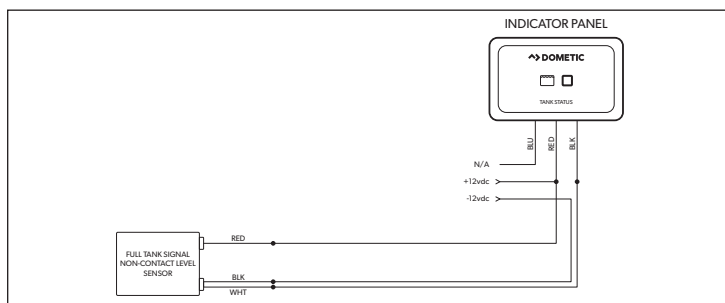
- ① 2.0 in. (51 mm)
- ② 1.375 in. (35 mm)
- ③ 3.25 in. (83 mm)
- ④ 2.625 in. (67 mm)
- ⑤ 3/32 in. (2 mm) pilot hole
- ⑥ 1.0 in. (25 mm) access cut-out

### 4 Specifications

|                             |                   |
|-----------------------------|-------------------|
| Panel                       | Polyester         |
| Panel frame                 | ABS               |
| Average current consumption | 0.025 A at 12 VDC |
| Fuse                        | 0.5 A             |
| Approval                    | RoHS              |

### 5 Wiring diagram

This section shows the wiring between the indicator panel and the level sensor.



### 6 Installation

**⚠ WARNING! ELECTRICAL SHOCK, FIRE, AND/OR EXPLOSION HAZARD:**  
Failure to obey the following warnings could result in death or serious injury:

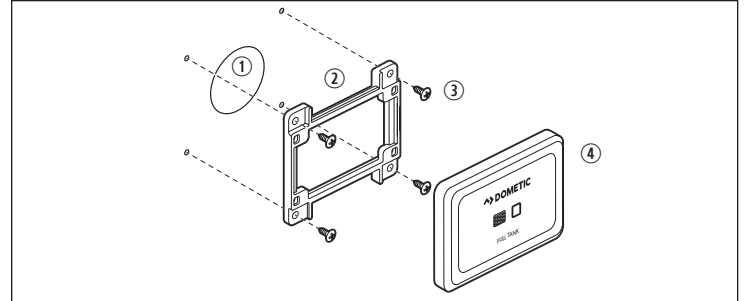
- Do **not** install the level sensor in fuel tanks.
- Do not install the panel indicator in an atmosphere with potentially flammable or explosive vapors.
- Prior to cutting or drilling, disconnect the power supply.
- Verify that there are no obstacles such as wires or pipes inside the walls at the mounting location.

**NOTICE:** Any plumbing fixture connected to the tank should **not** be operated once the full tank light on the indicator panel is activated.

This section describes how to install the level sensor and indicator panel.

### 6.1 Installing the indicator panel

1. Identify a mounting location for the indicator panel that is away from direct contact with water or oil.
2. Confirm that there is sufficient clearance for the wiring behind the wall, hull, or bulkhead. See "Dimensions" on page 1.
3. Use the indicator panel template to mark the pilot holes and cutout. See "Indicator panel template" on page 2.
4. Cut out the access cut-out.
5. Drill the pilot holes.



#### 4 Mounting the indicator panel

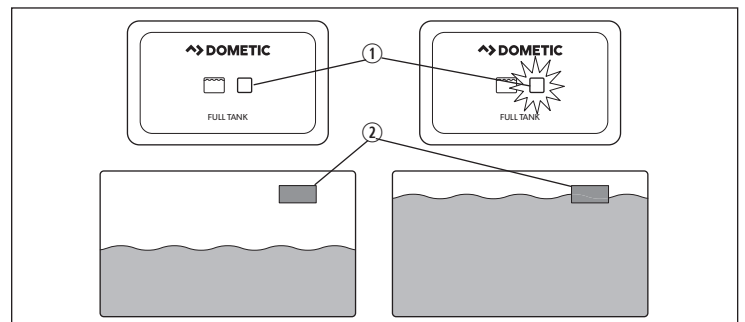
- ① Access cut-out
- ② Mounting frame
- ③ Fasteners
- ④ Indicator panel

6. Route 18-gauge stranded copper wire from the power source, through the fuse, (not included) to the panel location.
7. Route 18-gauge stranded copper wire from the location where the level sensor will be installed to the panel location. Make sure the wires extend out through the access cut-out.
8. Secure the mounting frame to the wall with the fasteners.
9. Connect the 12 VDC or 24 VDC wiring to the indicator panel according to the wiring diagram. See "Wiring diagram" on page 2.
10. Press the indicator panel into the mounting frame until it locks into place.

### 6.2 Installing the level sensor

The level sensor will trigger the full tank light on the indicator panel when the contents of the tank reach the approximate center of the level sensor.

1. Route 18-gauge stranded copper wire from the DC ground source to the level sensor.
2. Using quick-disconnect terminals, wire the level sensor to the ground and indicator panel according to the wiring diagram. See "Wiring diagram" on page 2.
3. Make sure the tank surface is clean and free of debris in the area where the level sensor will be applied.
4. Fill the tank three-quarters full with water.
5. With the level sensor connected, turn the power supply on.



#### 5 Full tank light and water level

- ① Full tank light
- ② Level sensor

6. With the adhesive protective liner still attached, slide the level sensor down the tank wall from the top until the full tank light on the indicator panel activates.
7. Remove the adhesive protective liner and attach the level sensor to the tank.

**DOMETIC**