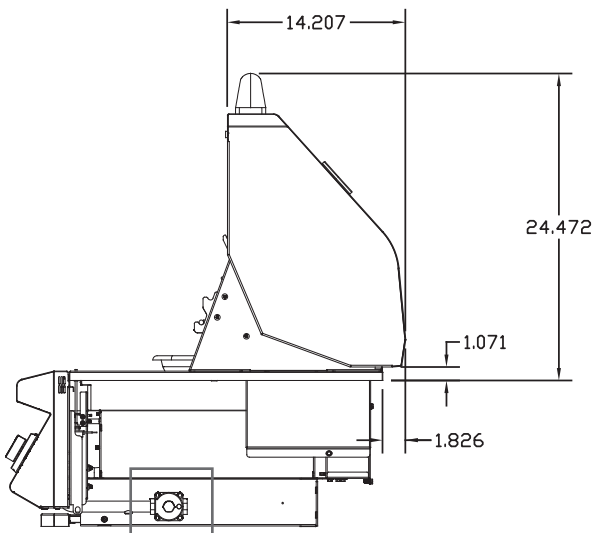
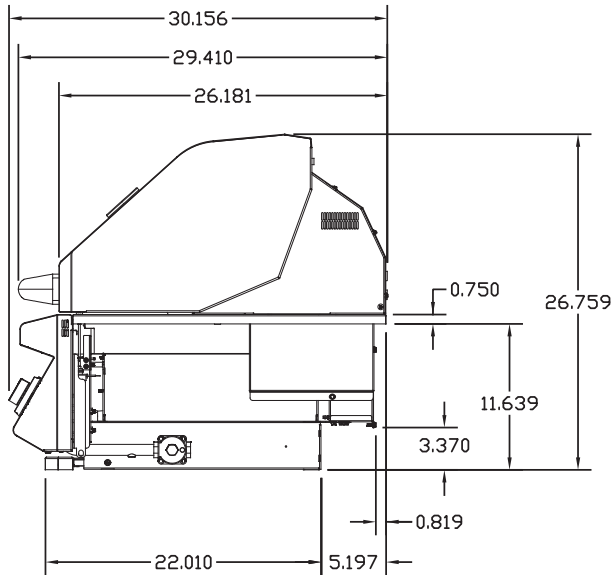
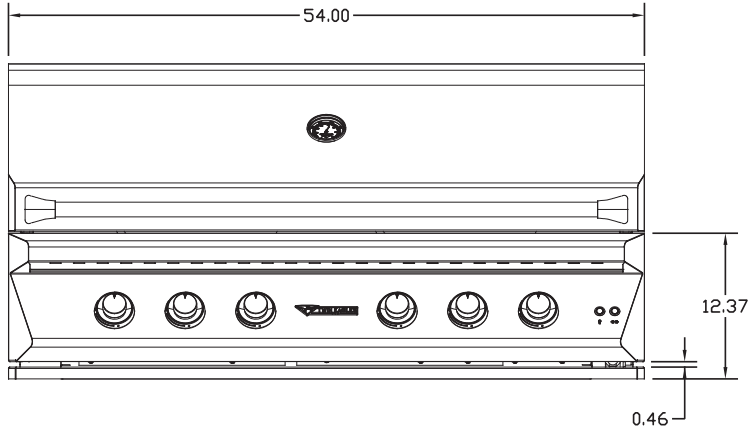


# C SERIES 54

## 54 inch outdoor gas grill

Note: For detailed installation guide, refer to product manual



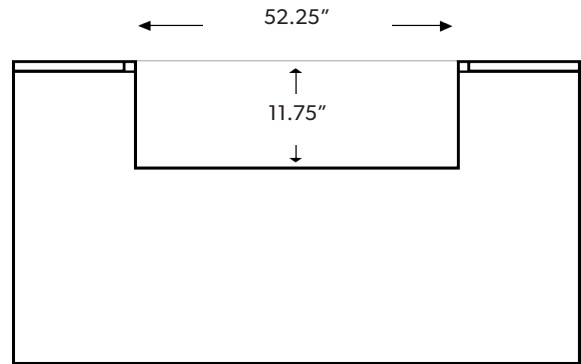
Gas Inlet

Box Dimensions  
33 x 61 x 33 (inches)  
Shipping Weight 335 lbs

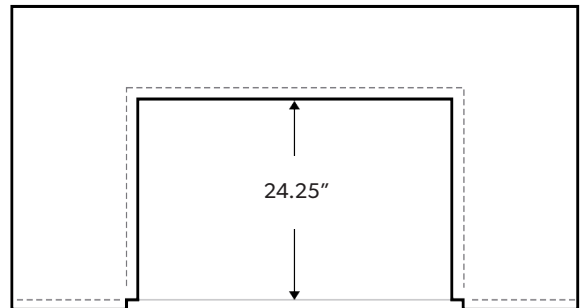
### Specifications

<b>GENERAL</b>	<b>Model</b> C SERIES 54 <b>SKU</b> TEBQ54RS-C
<b>POWER REQUIREMENTS</b>	<b>Electrical Supply</b> 120V, 60Hz, 4A <b>Electrical Service</b> 15 amp dedicated circuit <b>Power Cord Length</b> 5 feet <b>Receptacle</b> 3 prong grounding plug
<b>GAS REQUIREMENTS</b>	Natural Gas or Liquid Propane <b>Gas Supply</b> 3/4" ID line <b>Gas Inlet</b> 1/2" NPT female <b>Total BTU</b> 100,000-128,000
<b>CLEARANCE REQUIREMENTS</b>	<b>Combustible</b> Requires Insulating Jacket and Minimum 12" all around <b>Non-Combustible</b> Minimum 2.5" from back, Minimum 6" on sides
<b>CUTOUT DIMENSIONS</b>	<b>Opening Width</b> 52.25 inch <b>Opening Height</b> 11.75 inch <b>Opening Depth</b> 24.25 inch

### NON-COMBUSTIBLE INSTALLATION



Face View



Top View