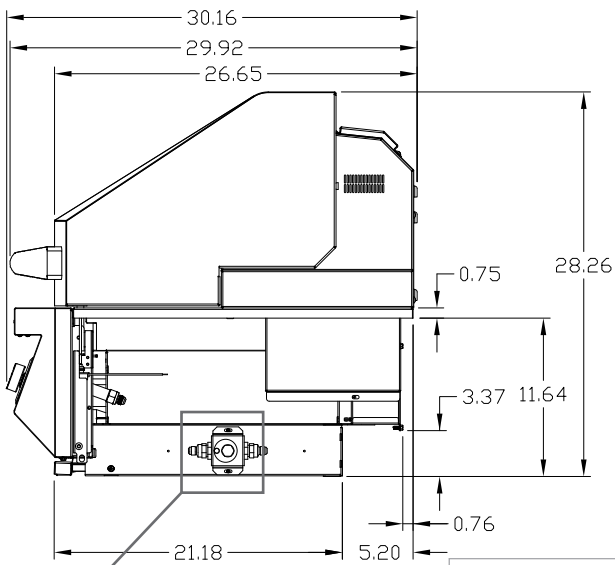
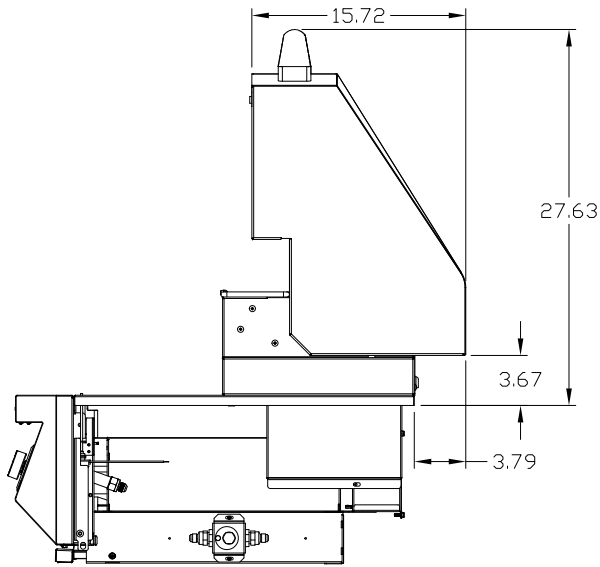
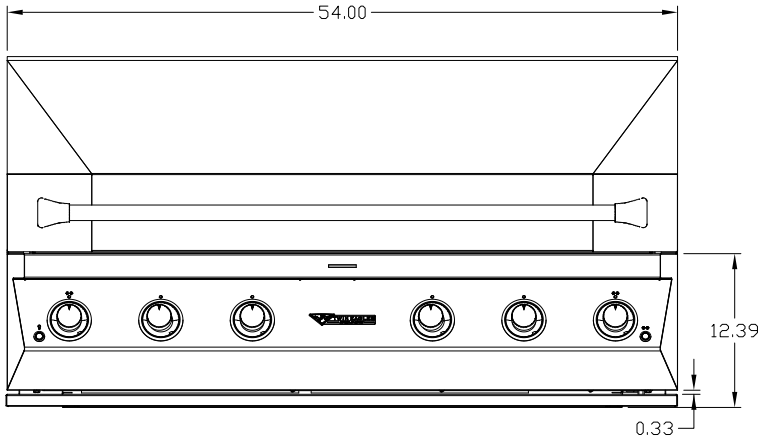


EAGLE ONE 54

54 inch outdoor gas grill

Note: For detailed installation guide, refer to product manual



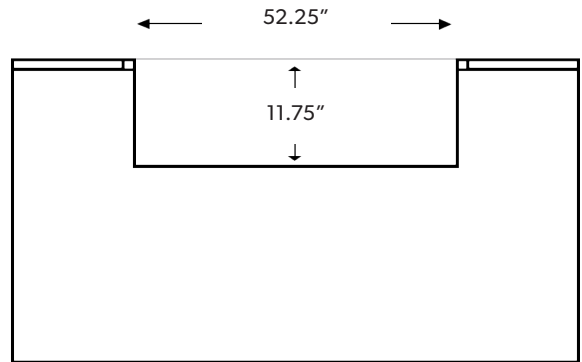
Box Dimensions
33 x 61 x 33 (inches)
Shipping Weight 460 lbs

Gas Inlet

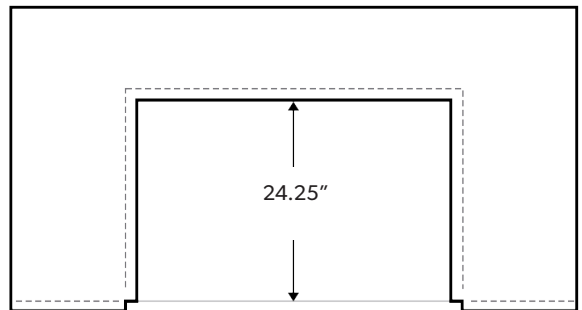
Specifications

| | |
|-------------------------------|--|
| GENERAL | Model EAGLE ONE 54 SKU TE1BQ54RS |
| POWER REQUIREMENTS | Electrical Supply 120V, 60Hz, 4.4A Electrical Service 15 amp dedicated circuit Power Cord Length 5 feet Receptacle 3 prong grounding plug |
| GAS REQUIREMENTS | Natural Gas or Liquid Propane Gas Supply 3/4" ID line Gas Inlet 1/2" NPT female Total BTU 100,000-136,000 |
| CLEARANCE REQUIREMENTS | Combustible Requires Insulating Jacket and Minimum 12" all around Non-Combustible Minimum 4.5" from back, Minimum 6" on sides |
| CUTOUT DIMENSIONS | Opening Width 52.25 inch Opening Height 11.75 inch Opening Depth 24.25 inch |

NON-COMBUSTIBLE INSTALLATION



Face View



Top View