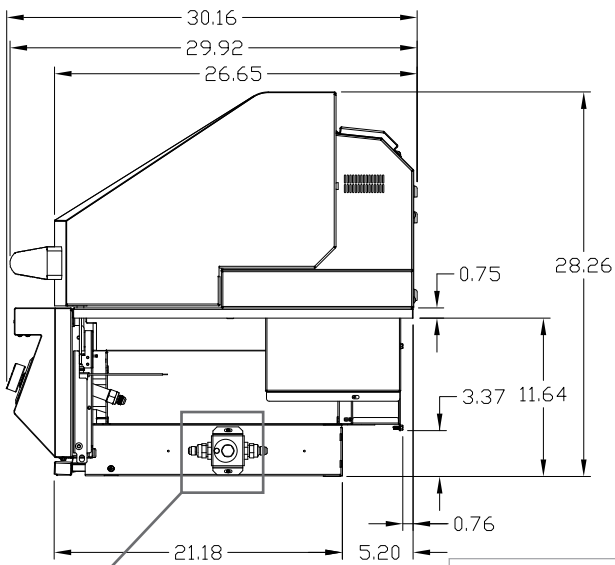
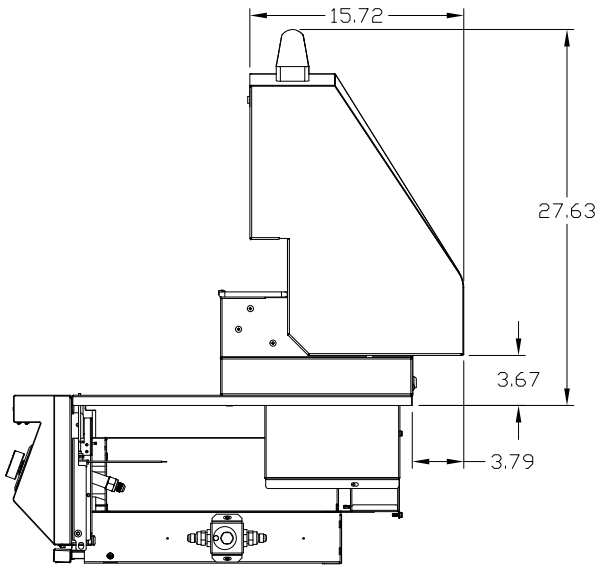
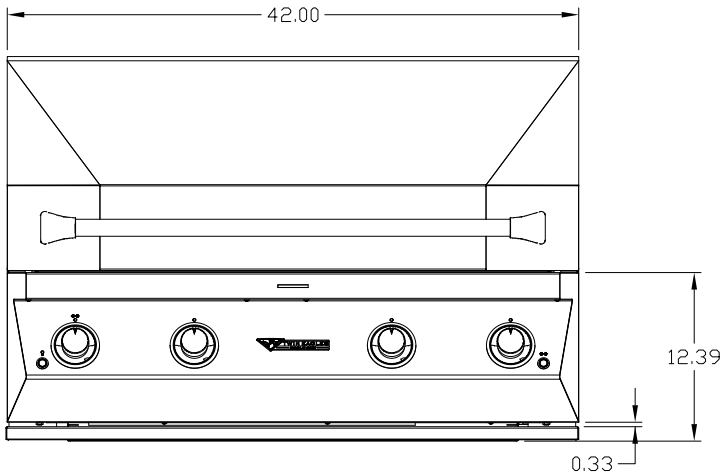


# EAGLE ONE 42

## 42 inch outdoor gas grill

Note: For detailed installation guide, refer to product manual



Gas Inlet

Box Dimensions  
33 x 49 x 33 (inches)  
Shipping Weight 360 lbs

### Specifications

#### GENERAL

**Model** EAGLE ONE 42  
**SKU** TE1BQ42RS

#### POWER REQUIREMENTS

**Electrical Supply** 120V, 60Hz, 4.4A  
**Electrical Service** 15 amp dedicated circuit  
**Power Cord Length** 5 feet  
**Receptacle** 3 prong grounding plug

#### GAS REQUIREMENTS

Natural Gas or Liquid Propane  
**Gas Supply** 3/4" ID line  
**Gas Inlet** 1/2" NPT female  
**Total BTU** 75,000-99,000

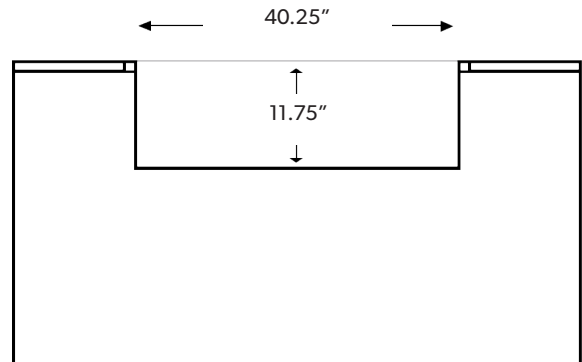
#### CLEARANCE REQUIREMENTS

**Combustible** Requires Insulating Jacket and Minimum 12" all around  
**Non-Combustible** Minimum 4.5" from back, Minimum 6" on sides

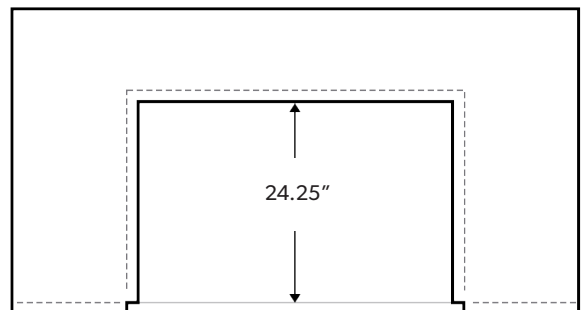
#### CUTOUT DIMENSIONS

**Opening Width** 40.25 inch  
**Opening Height** 11.75 inch  
**Opening Depth** 24.25 inch

#### NON-COMBUSTIBLE INSTALLATION



Face View



Top View