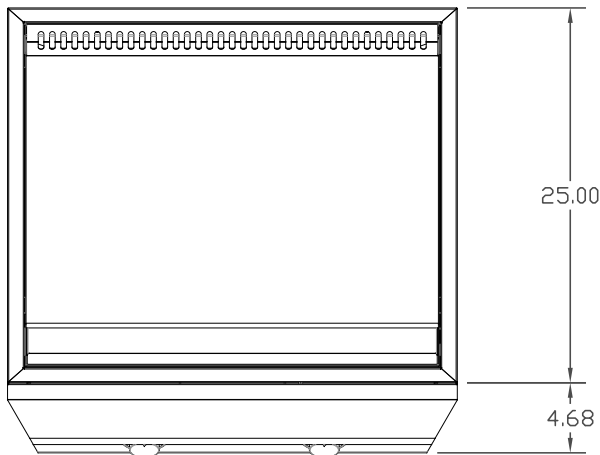
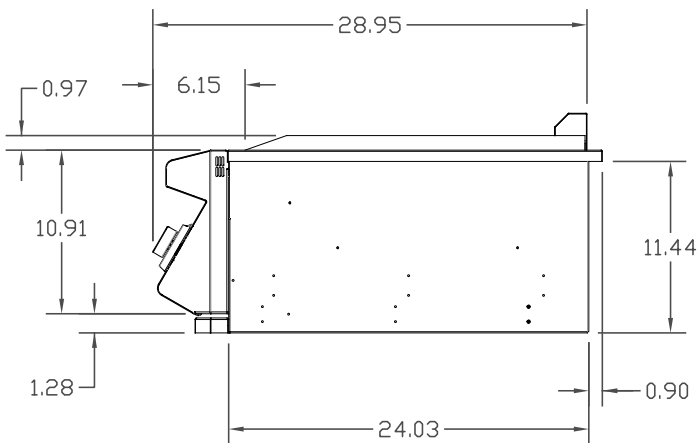
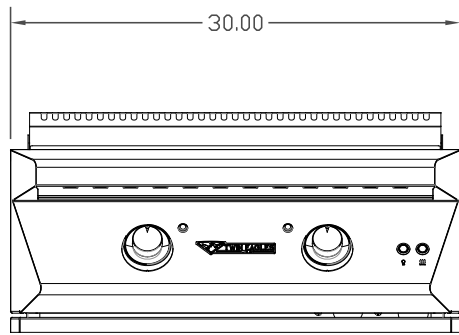


TEPPANYAKI / SIDE BURNER COMBO

30 inch flat top grill

Note: For detailed installation guide, refer to product manual



Box Dimensions
33 x 37 x 33 (inches)
Shipping Weight 175 lbs

Specifications

GENERAL **Model** TEPPANYAKI / SIDE BURNER COMBO
SKU TETG30-C / TEBC30-C

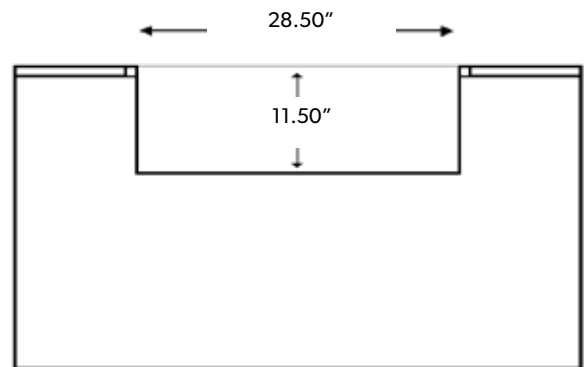
POWER REQUIREMENTS **Electrical Supply** 120V, 60Hz, 900W, 8A
Electrical Service 15 amp dedicated circuit
Power Cord Length 5 feet
Receptacle 3 prong grounding plug

GAS REQUIREMENTS Natural Gas or Liquid Propane
Gas Supply 3/4" ID line
Gas Inlet 1/2" NPT female
Total BTU 40,000 (Teppanyaki)
55,000 (Side Burner Combo)

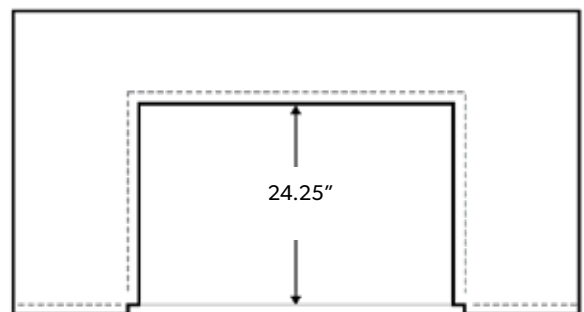
CLEARANCE REQUIREMENTS **Requires** Minimum 12" all around
Non-Combustible Enclosure Only

CUTOUT DIMENSIONS **Width** 28.50 inch
Height 11.50 inch
Depth 24.25 inch

NON-COMBUSTIBLE INSTALLATION



Face View



Top View