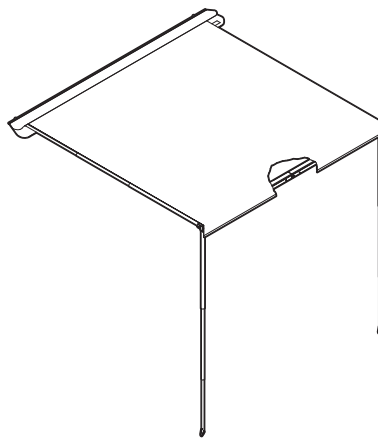


↗ DOMETIC

AWNINGS

TRIM LINE



944X07.00(X), 944X08.00(X), 944X09.00(X), 944X10.00(X), 944X11.00(X),
944X12.00(X), 944X13.00(X)

EN

Trim Line Awning

Installation and Operation Manual 2

⚠ WARNING

Cancer and Reproductive Harm
www.P65Warnings.ca.gov

REVISION A Form No. 3308723.026 05/22 | ©2022 Dometic Corporation **EN**
RÉVISION A Document no 3309146.029 05/22 | ©2022 Dometic Corporation **FR**

Service Center & Dealer Locations

Visit: www.dometic.com

Please read these instructions carefully and follow all instructions, guidelines, and warnings included in this product manual in order to ensure that you install, use, and maintain the product properly at all times. These instructions **MUST** stay with this product.

By using the product, you hereby confirm that you have read all instructions, guidelines, and warnings carefully and that you understand and agree to abide by the terms and conditions as set forth herein. You agree to use this product only for the intended purpose and application and in accordance with the instructions, guidelines, and warnings as set forth in this product manual as well as in accordance with all applicable laws and regulations. A failure to read and follow the instructions and warnings set forth herein may result in an injury to yourself and others, damage to your product, or damage to other property in the vicinity. This product manual, including the instructions, guidelines, and warnings, and related documentation, may be subject to changes and updates. For up-to-date product information, please visit www.dometic.com.

Contents

1 Explanation of Symbols and Safety Instructions **2**

 1.1 Recognize Safety Information 2

 1.2 Understand Signal Words 2

 1.3 Supplemental Directives 2

 1.4 General Safety Messages 3

2 Intended Use **3**

3 General Information **3**

 3.1 Tools and Materials 3

4 Preinstallation **3**

 4.1 Assembling the Awning 4

5 Installation **4**

 5.1 Installing the Awning 4

 5.2 Installing the Sockets 5

6 Operation **5**

 6.1 Opening the Awning 6

 6.2 Choosing Carport or Patio Positioning 6

 6.3 Closing the Awning 7


7 Disposal **7**

Limited One-Year Warranty **7**

1 Explanation of Symbols and Safety Instructions


This manual has safety information and instructions to help you eliminate or reduce the risk of accidents and injuries.


1.1 Recognize Safety Information


 **This is the safety alert symbol.** It is used to alert you to potential physical injury hazards. Obey all safety messages that follow this symbol to avoid possible injury or death.

1.2 Understand Signal Words


A signal word will identify safety messages and property damage messages, and also will indicate the degree or level of hazard seriousness.

 **DANGER!**
Indicates a hazardous situation that, if **not** avoided, will result in death or serious injury.

 **WARNING**
Indicates a hazardous situation that, if **not** avoided, could result in death or serious injury.

 **CAUTION**
Indicates a hazardous situation that, if **not** avoided, could result in minor or moderate injury.

NOTICE: Used to address practices **not** related to physical injury.

 Indicates additional information that is not related to physical injury.

1.3 Supplemental Directives

To reduce the risk of accidents and injuries, please observe the following directives before proceeding to install this appliance:

- Read and follow all safety information and instructions.
- Read and understand these instructions before installing this product.

- The installation must comply with all applicable local or national codes, including the latest edition of the following standards:

U.S.A.

- ANSI/NFPA1192, Recreational Vehicles Code

Canada

- CSA Z240 RV Series, Recreational Vehicles

1.4 General Safety Messages

⚠ WARNING: ELECTRICAL SHOCK, FIRE, AND/OR EXPLOSION HAZARD. Failure to obey the following warnings could result in death or serious injury:

- Use only Dometic replacement parts and components that are specifically approved for use with the appliance.
- Avoid improper installation, adjustment, alterations, service, or maintenance of the appliance. Service and maintenance **must** be done by a qualified service person only.
- Do **not** modify this product in any way. Modification can be extremely hazardous.
- Make sure there are no obstacles (wires, pipes, etc.) inside the RV roof or walls at the installation locations.
- Shut off the gas supply, disconnect the 120 VAC power from RV, and disconnect the positive (+) 12 VDC terminal from the supply battery before drilling or cutting into the RV.

⚠ WARNING: IMPACT OR CRUSH HAZARD. Failure to obey the following warnings could result in death or serious injury:

- Do **not** allow water to pool, snow to accumulate, or heavy debris to rest on the awning fabric.
- Do **not** hang or place anything on the awning, as the awning could become unstable and bend or collapse.
- Stow this awning and do **not** operate during periods of severe weather, such as high winds.

⚠ WARNING: FIRE HAZARD.

Keep sources of heat and fire (barbecue grills, portable heater, etc.) away from the awning. Failure to obey this warning could result in death or serious injury.

NOTICE: Do **not** expose the awning to adverse environmental conditions, corrosive agents, or other harmful conditions.

2 Intended Use

The Trim Line Awning (hereinafter referred to as awning) is designed and intended for mounting on pop-up tent campers. This awning is only suitable for the intended purpose and application in accordance with these instructions.

This manual provides information that is necessary for proper installation of the awning. Poor installation and/or improper operating or maintenance will result in unsatisfactory performance and a possible failure. The manufacturer accepts no liability for any injury or damage to the product resulting from:

- Incorrect assembly or connection, including excess voltage
- Incorrect maintenance or use of spare parts other than original spare parts provided by the manufacturer
- Alterations to the product without express permission from the manufacturer
- Use for purposes other than those described in this manual

Dometic reserves the right to change product appearance and product specifications.

3 General Information

This section provides general information about the awning and its components.

i The images used in this document are for reference purposes only. Components and component locations may vary according to specific product models. Measurements may vary ± 0.38 in. (10 mm).

3.1 Tools and Materials

Dometic recommends that the following tool be used while installing the appliance.

Recommended Tools

Screwdriver

4 Preinstallation

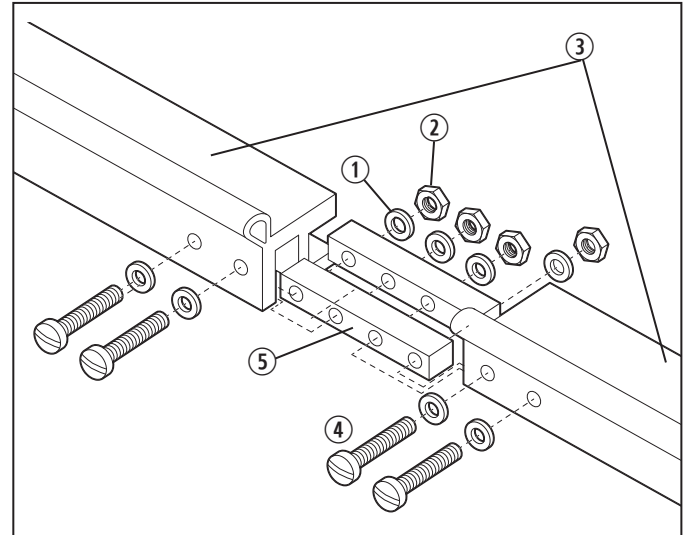
⚠ CAUTION: LIFTING HAZARD.

Use proper lifting technique and control when lifting this product. Failure to obey this caution could result in personal injury.

i Start all screws into the holes before tightening the nuts. Do not overtighten the nuts.

This section describes how to assemble the joiner tubes and attach the awning fabric.

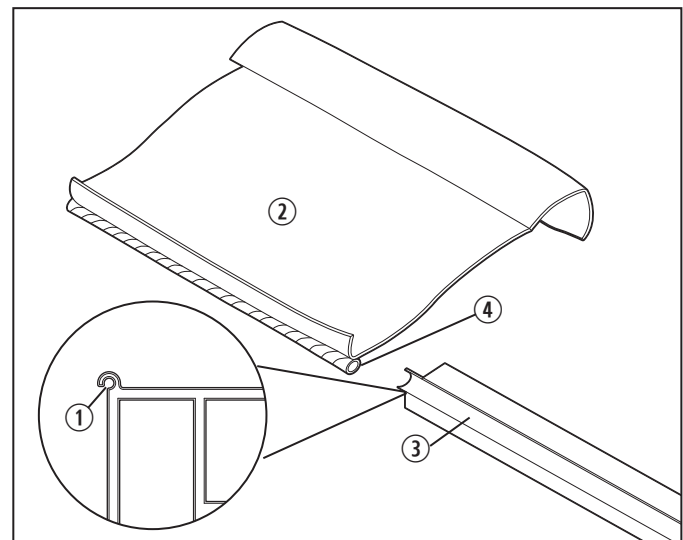
4.1 Assembling the Awning



1 Part Identification

- ① Flat Washer
- ② Locknut
- ③ Front Bars
- ④ Screw
- ⑤ Connector Joint

1. Secure the front bars to the connector joints using the provided screws, flat washers, and locknuts.



2 Inserting the Awning into the Front Bar

- ① Groove (Side View)
- ② Awning Fabric
- ③ Groove in Front Bar
- ④ Rope

2. Unroll the awning fabric on a flat, clean surface.

3. With the white side of the awning fabric facing up, slide the entire length of the awning rope into the groove in the front bar.
4. Roll up the awning into the attached awning bag.
5. Secure the rolled awning by tying the awning bag webbing straps.
6. Zip the awning bag closed.

5 Installation

⚠ WARNING: IMPACT OR CRUSH HAZARD.
Failure to obey the following warnings could result death or serious injury:

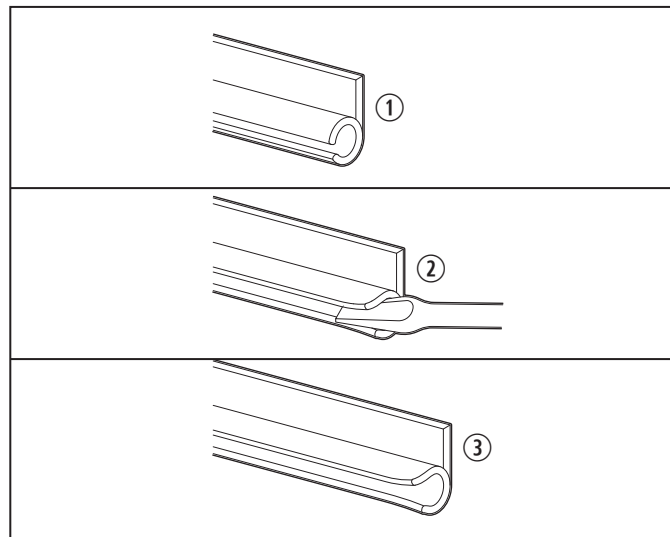
- Verify that the drill point screws are inserted and the awning bag is securely fastened to the awning rail before traveling.
- Verify that the mounting surface on the RV is flat, that it has solid structural backing where the fasteners penetrate the surface, and that it will safely and securely support the product. Otherwise, the product may become unstable and could detach or collapse.

NOTICE: Always use sealant on (clean) parts and surfaces where fasteners enter the RV roof and/or walls. Otherwise, water leakage could occur.

- i** When unzipping the bag or untying the poles, be sure to hold the poles so that loose poles do not fall out of the bag.

This section describes how to install the awning.

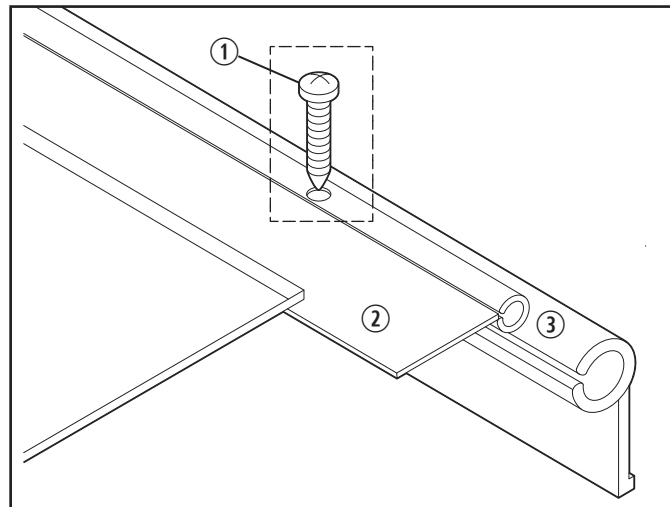
5.1 Installing the Awning



3 Preparing the Awning Rail

- ① Before
- ② Screwdriver
- ③ After

1. Prepare the awning rail to accept the awning by prying open the lead end of the awning rail with a screwdriver.



4 Positioning the Awning on the Awning Rail

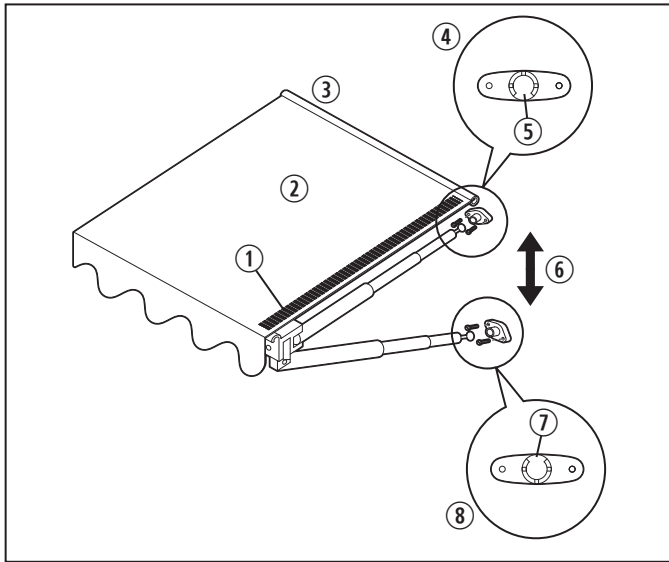
- ① Screw
- ② Vinyl Welt
- ③ Awning Rail

2. Insert the vinyl welt of the awning bag into one end of the awning rail, sliding the awning into the desired position.

- i** If the awning is to be left mounted during travel, secure each end by driving a #6 x 1/2 in. drill point screw approximately 3 in. from each end.

5.2 Installing the Sockets

- i** It is very important to keep the bottom pair of sockets out of the way of the camper top when closing the camper.



5 Installing the Sockets

- | | |
|------------------------------------|----------------------------------|
| ① Hook and Loop Fastener or Zipper | ⑤ Large Groove (Facing Down) |
| ② Awning Fabric | ⑥ Approximately 49 in. to 52 in. |
| ③ Awning Rail | ⑦ Large Groove (Facing Up) |
| ④ Top Socket | ⑧ Bottom Socket |

1. Align the top sockets directly under the hook and loop fastener or zipper (depending on the model), making sure the large groove on the top sockets face down.
2. Mount the top pair of sockets with #8 x 3/4 in. sheet metal screws at each end of the awning, directly under the awning rail.
3. Align the bottom pair of sockets at each end of the awning below the camper top when the camper is in the open position (approximately 49 in. to 52 in. below the awning rail), making sure the large groove on the bottom sockets face up.

4. Mount the bottom pair of sockets with #8 x 3/4 in. sheet metal screws at each end of the awning.

6 Operation

- ⚠ WARNING: IMPACT OR CRUSH HAZARD.**
Do **not** operate this awning during periods of severe weather, such as high winds. Failure to obey this caution could result death or serious injury.

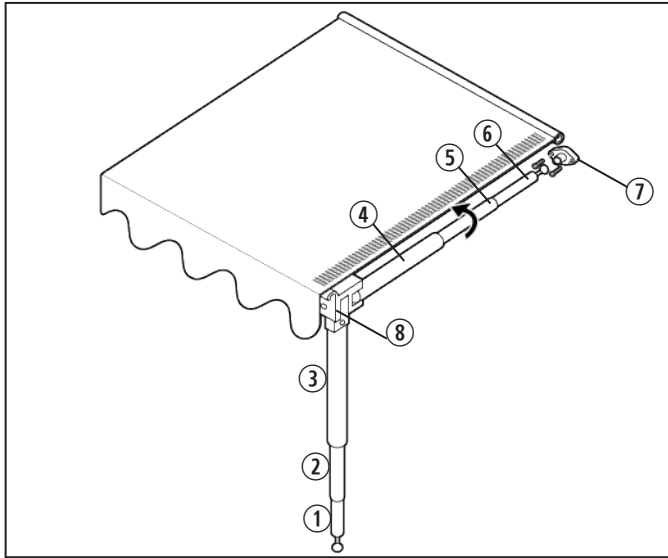
NOTICE: Never close the awning (for storage) when wet, and do **not** allow dirt, leaves, or other debris to accumulate on the awning. Otherwise, the combination of moisture and dirt could result in abrasion or mildew, causing permanent discoloration, stains, and odors on the awning fabric.

- i** During rain, the awning should be closed or lowered on one end to allow water to run off.

This section describes how to operate the awning.

- i** The images used in this section reflect 7 ft to 9 ft awning models.

6.1 Opening the Awning



6 Locking the Ground and Rafter Tubes

- | | |
|----------------------|----------------------|
| ① Lower Ground Tube | ⑤ Middle Rafter Tube |
| ② Middle Ground Tube | ⑥ Lower Rafter Tube |
| ③ Top Ground Tube | ⑦ Top Socket |
| ④ Top Rafter Tube | ⑧ Lead Rail |

1. Unzip the awning bag.
2. Untie the webbing straps.
3. Unroll the awning fabric.
4. Unfold the ground tubes from the lead rail.
5. Perform the following actions based on the size of the awning model:

For 7 ft to 9 ft models:

- a. Extend the middle and lower ground tubes to the desired height.
- b. Hold the top ground tube and locate the alignment marks on the lower and middle ground tubes.
- c. Align the mark on the lower ground tube with the mark on the middle ground tube.
- d. Push in the lock button and slide the lower ground tube into the middle ground tube.
- e. To lock the lower ground tube into the middle ground tube, push the button into the desired hole.

- f. Repeat this process to lock the middle and top ground tubes together.
- g. Unfold the rafter tubes.
- h. Extend the rafter tubes into the top socket under the awning rail.
- i. Hold the top rafter tube (nearest to the lead rail) and twist the middle and lower tubes to lock.

i For adjustment to the desired height, the top ground tube of the 7 to 9 ft models has four locking positions, each 5 in. apart.

For 10 ft to 13 ft models:

- a. Extend the lower ground tube to the desired height.
- b. Hold the top ground tube and locate the alignment marks on the lower and top ground tubes.
- c. Align the mark on the lower ground tube with the mark on the top ground tube.
- d. Push in the lock button and slide the lower ground tube into the top ground tube.
- e. To lock the lower ground tube into the top ground tube, push the button into the desired hole.
- f. Unfold the rafter tubes
- g. Extend the rafter tubes into the top socket under the awning rail.
- h. Hold the top rafter tube (nearest to the lead rail) and twist the lower rafter tube to lock.

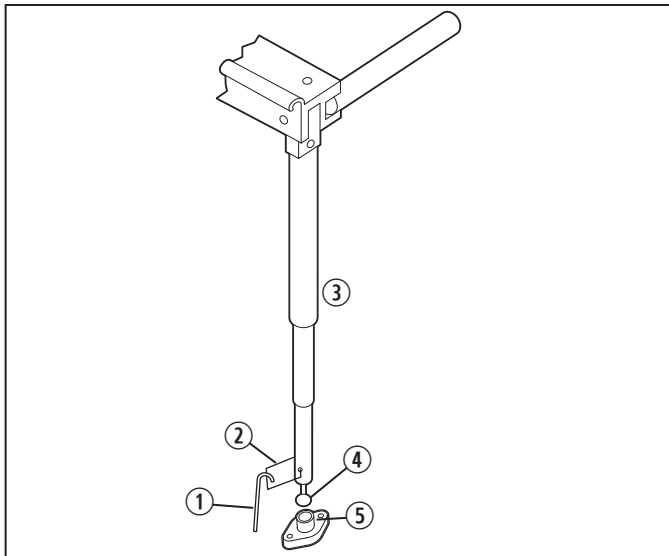
6.2 Choosing Carport or Patio Positioning

The ground poles can be placed upright in the carport position or can be inserted into the sockets (previously installed) up against the camper for a patio position awning.

6.2.1 Securing the Awning in the Carport Position

Galvanized steel tent stakes and wire loops for the tent stakes are provided to position the ground poles upright and hold them in the ground.

This section describes how to secure the awning into the carport position using the tent stakes.



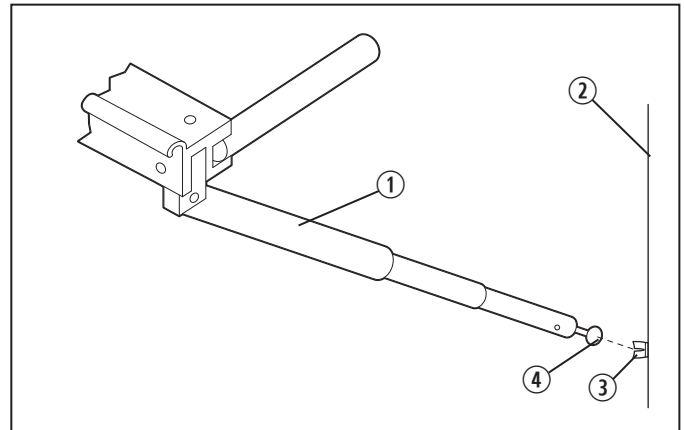
7 Staking the Ground Poles for the Carport Position

- ① Tent Stake
- ② Wire Loop
- ③ Ground Pole
- ④ End Ball
- ⑤ Spare Socket

1. Attach the provided spare sockets to the end balls of the ground poles (to protect the end balls when staking poles to the ground).
2. Drive the tent stakes into the ground, capturing the wire loop with the tent stake.

6.2.2 Securing the Awning in the Patio Position

This section describes how to secure the awning into the patio position using previously installed sockets.



8 Attaching the Ground Poles to Sockets for the Patio Position

- ① Ground Pole
- ② Camper Wall
- ③ Socket
- ④ End Ball

1. Extend the ground poles.
2. Insert the bottom end balls of the ground poles into the sockets previously installed on the camper wall above the frame.

6.3 Closing the Awning

This section describes how to close the awning and secure it for travel.

1. To close the awning, reverse steps 1 through 5 in the "Opening the Awning" section.
2. After closing the awning, tie the webbing straps to hold the awning securely inside the awning bag.
3. Zip the awning bag closed for travel.

7 Disposal



Place the packaging material in the appropriate recycling waste bins, whenever possible.

Consult a local recycling center or specialist dealer for details about how to dispose of the product in accordance with all applicable national and local regulations.

LIMITED ONE-YEAR WARRANTY

LIMITED ONE-YEAR WARRANTY AVAILABLE AT [DOMETIC.COM/EN-US/TERMS-AND-CONDITIONS-CONSUMER/WARRANTY](https://www.dometic.com/en-us/terms-and-conditions-consumer/warranty).

IF YOU HAVE QUESTIONS, OR TO OBTAIN A COPY OF THE LIMITED WARRANTY FREE OF CHARGE, CONTACT:

DOMETIC CORPORATION
CUSTOMER SUPPORT CENTER
5155 VERDANT DRIVE
ELKHART, INDIANA 46516
1-800-544-4881



dometic.com

**YOUR LOCAL
DEALER**

dometic.com/dealer

**YOUR LOCAL
SUPPORT**

dometic.com/contact

**YOUR LOCAL
SALES OFFICE**

dometic.com/sales-offices
