

DOMETIC

AWNINGS

POWER AWNING

EN 9200 Series Power Awning

Product Change Notice

USA & Canada
 Service Office
 Dometic Corporation
 5155 Verdant Drive
 Elkhart, IN 46516

**Service Center &
 Dealer Locations**
Visit:
dometic.com/support

Effective immediately, the 9200 series Power Awnings are undergoing a non-safety related change.

Change Description:

Up until now, Dometic has produced both unlit and LED-lit awnings. Going forward, all awnings will be LED-lit.

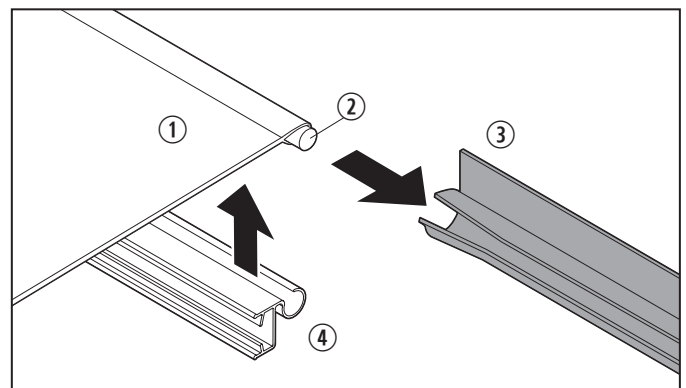
Action:

If an unlit awning needs to be replaced, replace it with the corresponding LED-lit model.

Unlit Original	LED-lit Replacement
925XXYY.ZZZ#	925XXYY.ZZZ#L
926XXYY.ZZZ#	926XXYY.ZZZ#L

⚠️ WARNING: IMPACT HAZARD.

The completed awning installation **must** include the empty LED rail. Failure to obey this warning could result in death or serious injury.



1 Sliding the Awning Fabric into the Awning Rail

- ① Awning Fabric
- ② Rope
- ③ LED Rail
- ④ Awning Rail

During installation, the LED light strip can be removed, but the empty LED rail **MUST** be retained; otherwise, the rope's smaller diameter will cause the awning fabric to pull out of the awning rail. Refer to the product manual for safety warnings and installation instructions.