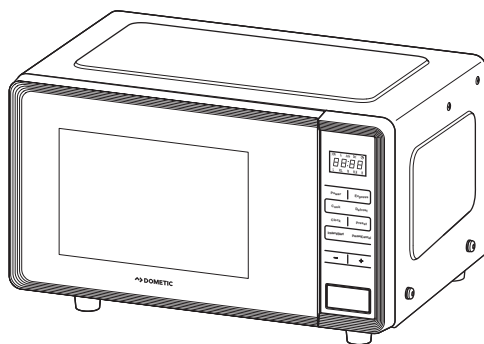


↗ DOMETIC

COMPLEMENTARY PRODUCTS

MICROWAVES



MWO240

EN

Microwave Oven

Operating manual

© 2020 Dometic Group. The visual appearance of the contents of this manual is protected by copyright and design law. The underlying technical design and the products contained herein may be protected by design, patent or be patent pending. The trademarks mentioned in this manual belong to Dometic Sweden AB. All rights are reserved.

Please read this instruction manual carefully before first use, and store it in a safe place. If you pass on the product to another person, hand over this instruction manual along with it.

Table of contents

1	Explanation of symbols	3
2	Safety instructions	4
3	Scope of delivery	6
4	Intended use	6
5	Technical description	7
6	Connecting and setting the microwave.	9
7	Operating the microwave oven	10
8	Cleaning and care	17
9	Troubleshooting	18
10	Warranty	18
11	Disposal	18
12	Technical data	19

1 Explanation of symbols



WARNING!

Safety instruction: Indicates a hazardous situation that, if not avoided, could result in death or serious injury.



CAUTION!

Safety instruction: Indicates a hazardous situation that, if not avoided, could result in minor or moderate injury.



NOTICE!

Indicates a situation that, if not avoided, can result in property damage.

**NOTE**

Supplementary information for operating the product.

2 Safety instructions

**WARNING!**

- Use this device only for its intended use as described in this instruction manual.
- Do not use corrosive chemicals in this device.
- Do not operate the device when it is empty.
- Do not put this device into operation
 - if cables or plugs are damaged
 - if it is not functioning properly
 - if it has been damaged or dropped.
- If the connection cable is damaged, it must be replaced by the manufacturer or its customer service or a similarly qualified person in order to prevent safety hazards.
- This device can be used by children aged 8 years or over, as well as by persons with diminished physical, sensory or mental capacities or a lack of experience and knowledge, providing they are supervised, or have been taught how to use the device safely and are aware of the resulting risks.
- Cleaning and user maintenance must not be performed by unsupervised children.
- This device is not intended for use by persons (including children) with reduced physical, sensory or mental abilities or lack of experience and knowledge, unless they are given supervision or extensive instruction concerning use of the device by a person responsible for their safety.
- Children must be supervised to ensure that they do not play with the appliance.
- Always keep and use the device out of the reach of children under 8 years of age.

- To reduce the risk of fire inside the microwave oven:
 - When heating food in plastic or paper containers, check the microwave oven for possible ignition.
 - Remove wires from microwave-safe paper or plastic bags before placing them in the microwave oven.
 - In case of smoke, turn off the device or unplug the power plug. Keep the door closed to smother any flames.
 - Do not use the interior for storage purposes. Do not leave paper products, cooking utensils or food in the microwave oven if you are not using it.
- Dishes should be checked for appropriate use in a microwave oven.
- The microwave oven must be repaired by qualified personnel only. It is dangerous for untrained people to perform service or repair work which includes removal of cover panels, as these provide protection against exposure to microwave energy.

**CAUTION!**

- Liquid or other foodstuffs may not be heated in sealed containers, because it could explode.
- Heating drinks can lead to delayed sudden upward spraying, so use care when handling the container.
- Do not fry food in the microwave oven. Hot oil can damage oven parts and utensils and cause burns to the skin.
- Eggs in the shell and hard-boiled eggs should not be heated in microwave ovens, since they may explode even after heating.
- To prevent burns, the contents of baby bottles and baby jars should be stirred or shaken and the temperature should be checked before consumption.
- Cooking utensils may become hot because of heat transferred from the heated food. Potholders may be required for use.
- Beware of burns! All surfaces, including the device door, can become hot during operation. Keep small children away from the device. The heating elements in the device can remain hot after operation. Do not touch the heating elements in the device.
- Do not use the microwave oven with the door open, as this can lead to harmful exposure to microwaves. Protection devices may not be bypassed or tampered with.
- Do not place an object between the front surface of the microwave oven and the door.
- Remove cleaning residue that could accumulate on sealing surfaces.

- Do not operate the device if it has been damaged. It is particularly important that the microwave oven door closes properly and that there is no damage to
 - The door (bent)
 - Hinges and latches (broken or loosened)
 - Door seals and sealing surfaces
- Do not use the microwave oven while driving.
- Do not use the microwave oven as additional storage space (e.g. for clothing).

**NOTICE!**

- Check that the voltage specification on the type plate is the same as that of the energy supply.

3 Scope of delivery

- Microwave oven
- Operating manual

4 Intended use

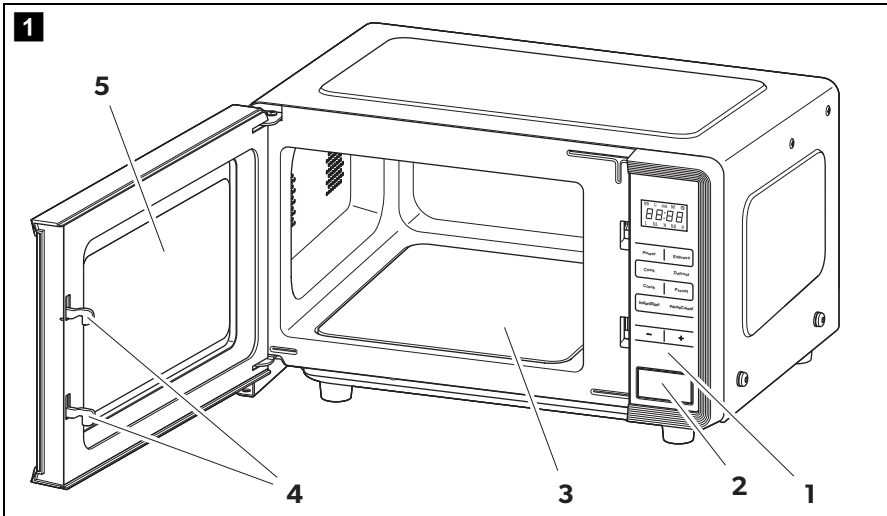
The microwave oven is designed for setting up in caravans and motorhomes. It is suitable for defrosting and heating food for short periods of up to 60 minutes. This type of microwave oven is specifically designed to heat or cook. It is not designed for industrial or laboratory use.

The microwave oven is designed to operate on the AC mains.

5 Technical description

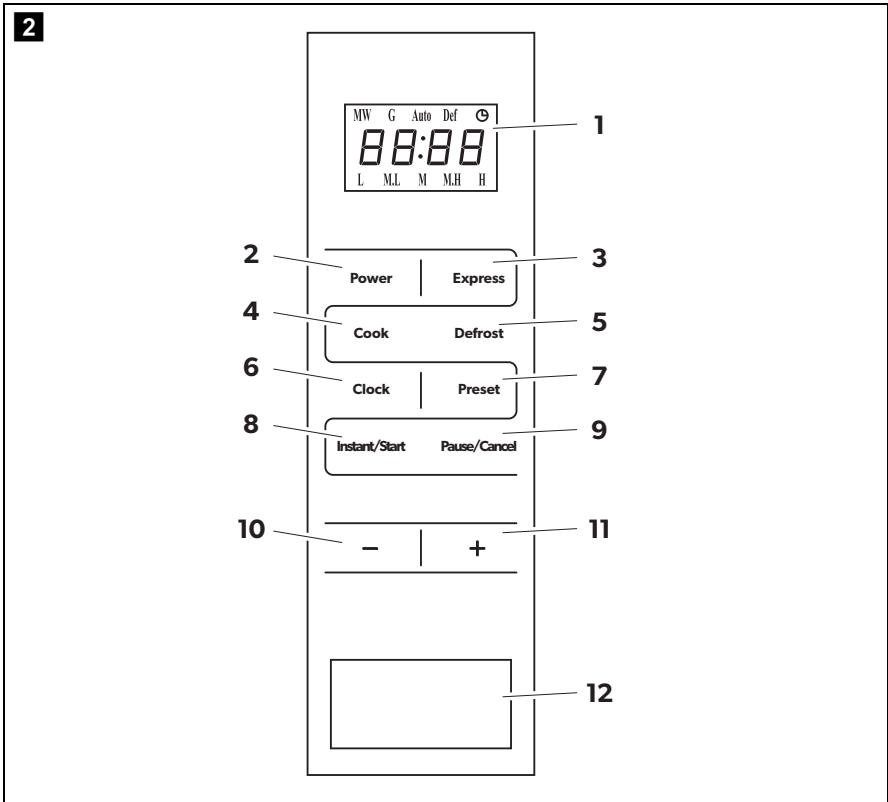
The microwave oven has the following components and control elements:

Components



Item in fig. 1	Explanation
1	Control panel
2	Door opener
3	Ceramic plate
4	Door lock
5	Microwave window

Control elements



Item in fig. 2	Explanation
1	Display for indicating the cooking time, power and current time
2	POWER Select the required microwave power 100P, 80P, 60P, 40P, 20P
3	EXPRESS Select the EXPRESS operating mode: 0:30, 1:00 or 1:30
4	COOK Select the COOK operating mode
5	DEFROST Select the DEFROST operating mode to defrost frozen food
6	CLOCK Set the time
7	PRESET Set the timer

Item in fig. 2	Explanation
8	INSTANT/ START Start or stop the current cooking or defrosting program
9	PAUSE/ CANCEL Cancel during settings During operation: Press once: Pause operation, press twice: Stop operation
10	– Set the cooking time During operation: Reduce the cooking time or the weight during operation
11	+ Set the cooking time During operation: Increase the cooking time or the weight during operation
12	Door opener

6 Connecting and setting the microwave

6.1 Setting up the microwave

Observe the following instructions when setting up:

- Make sure that all packaging materials are removed from the inside of the door.
- Check the microwave oven for damage such as a misaligned or bent door, damaged door seals and sealing surfaces, broken or loose door hinges, and latches and dents inside or on the door. If you notice any damage, do not put the microwave oven into operation and contact qualified service personnel.
- The microwave oven must be placed on a flat, stable surface that can support its weight as well as the heaviest possible food.
- Place the microwave oven at least 85 cm above the ground.
- Do not place the microwave oven near heat, moisture, high humidity or flammable materials.
- Proper operation of the microwave oven requires a sufficient air supply. Keep a sufficient distance (approx. 5 cm) to the outer walls in order to ensure heat exchange. Do not cover or block openings on the microwave oven. The feet should not be removed.
- Make sure that the connection cable is undamaged and does not run under the microwave oven or across a hot or sharp surface.
- Do not use the microwave oven outdoors.

6.2 Connecting the microwave oven to the power supply

- ▶ Connect the power plug to the AC mains.
- ✓ The display flashes three times and displays “-: -”.

6.3 Setting the time

- ▶ Press the **CLOCK** button to set the time.
- ✓ The display shows 00:00.
- ▶ Press the **+** or **-** buttons to set the hours.
- ▶ Press the **CLOCK** button.
- ▶ Press the **+** or **-** buttons to set the minutes.
- ▶ Press the **CLOCK** button or wait 5 seconds to save the time.

7 Operating the microwave oven



NOTE

A new microwave oven can cause odors due to production residues. Ventilate the living space when using the microwave oven the first few times. Heating a cup of water at high power multiple times is recommended to eliminate odors.

7.1 Information on cooking food

- Arrange the food carefully. Place the thickest areas towards the outside.
- Pay attention to the cooking time. Always cook for the shortest indicated time and increase it if necessary. Overcooked foods may produce smoke or catch fire.
- Cover food during cooking. Covers prevent splashing and ensure uniform cooking.
- Turn foods such as chicken and hamburger once during the cooking process. Large food such as roasts must be turned over at least once.
- Rearrange foods such as meatballs after half the time from top to bottom and from the center outwards.

7.2 Information about cookware

- The ideal material for a microwave oven is permeable to microwaves, allowing energy to penetrate the container and heat the food.
- Microwaves cannot penetrate metal, so metal dishes or dishes with metallic trim should not be used.
- Do not use recycled paper products for cooking in a microwave oven, as they may contain small metal fragments which may cause sparks and/or fires.
- Round/oval dishes are better than square/oblong dishes, because food may overheat in the corners of the dish.

The following list serves as a guideline for suitable dishes:

Cookware	Microwave-safe
Heat-resistant glass	Yes
Non-heat-resistant glass	No
Heat-resistant ceramic	Yes
Microwave-safe plastic dishes	Yes
Plastic wrap	Yes (only at low power)
Metal bowls	No
Metal frames	No
Aluminum foil and aluminum foil containers	No
Bamboo tableware	No
Cardboard tableware	No

7.3 Cooking



NOTE

- You can set a maximum cooking time of 60 minutes.
- You can adjust the microwave power and the cooking time in any order (for example, the cooking time first and then the microwave power or vice versa).
- At maximum microwave power the unit reduces the power after some time to extend the service life of the microwave oven.
- Poke holes in food with hard skins such as potatoes, whole pumpkins, apples and chestnuts, before heating them.

- Place the food in the microwave oven and close the door.
- If necessary, press the **POWER** button repeatedly to select the required microwave power:

100P	100% microwave power; quick heating of food
------	---

80P	80% microwave power; heating food
-----	-----------------------------------

60P	60% microwave power; steaming food
-----	------------------------------------

40P	40% microwave power; defrosting food
-----	--------------------------------------

20P	20% microwave power; keeping food warm
-----	--

- Press the **+** or **-** buttons to set the cooking time.
- Press the **INSTANT/START** button.
- ✓ After the set cooking time is finished, the display shows "End". Three consecutive signal tones sound if the door of the microwave oven has not yet been opened.



WARNING! Risk of burns from heated food!

Use suitable potholders to remove heated food from the microwave oven.

- Open the door and remove the heated food.



NOTE

The signal tone is repeated every three minutes until you open the door.

Opening the door during cooking

Opening the door stops the cooking process. The display shows the remaining time.

Continue the cooking process as follows:

- Close the door.
- Press the **INSTANT/START** button.

7.4 Heating liquids (**EXPRESS** operating mode)

- Place the food in the microwave oven and close the door.
- If necessary, press the **EXPRESS** button repeatedly to select the required cooking time of 0:30, 1:00 or 1:30.
- Press the **INSTANT/START** button.
- ✓ After the set cooking time is finished, the display shows "End". Three consecutive signal tones sound if the door of the microwave oven has not yet been opened.



WARNING! Risk of burns from heated food!

Use suitable potholders to remove heated food from the microwave oven.

- Open the door and remove the heated food.



NOTE

The signal tone is repeated every three minutes until you open the door.

7.5 Defrosting (DEFROST operating mode)

- Place the food in the microwave oven and close the door.
- Press the **DEFROST** button and enter the type of food according to the following table:

d.1	Defrost meat (0.1 to 2.0 kg)
-----	------------------------------

d.2	Defrost poultry (0.2 to 3.0 kg)
-----	---------------------------------

d.3	Defrost fish (0.1 to 0.9 kg)
-----	------------------------------

- Press the **+** or **-** buttons to set the weight.
- Press the **INSTANT/START** button to start the defrosting program.
- ✓ Upon completion of the defrosting program, the display shows “End” and three consecutive signal tones are sounded.



NOTE

The thawing times specified are guidelines. The actual thawing time required depends on the type of food and its water content (meat, fish, vegetables, fruit, bread, etc.). The higher the water content of the food, the more time is required for thawing. To distribute the heat evenly, turn the food over or around during the thawing process.

7.6 Heating specific dishes (COOK operating mode)

- Place the food in the microwave oven and close the door.
- If necessary, press the **COOK** button repeatedly to select the required dish:

A.1	Popcorn 85 g	For a typical pack of microwave popcorn with package size of 85 g. Press the PAUSE/CANCEL button when only 1 kernel of corn pops every 1 to 2 seconds.
-----	-----------------	--

A.2	Popcorn 100 g	As for A.1, for package size 100 g.
-----	------------------	-------------------------------------

A.3	Pizza	Warm up 1 piece of frozen pizza (0.15 kg).
-----	-------	--

A.4	Beverages 250 ml	For a cup containing 250 ml of liquid at a temperature of about 5 to 10 °C. Use a wide cup. Do not cover the cup.
-----	---------------------	---

A.5	Beverages 500 ml	As for A.4, for a cup with 500 ml of liquid.
-----	---------------------	--

A.6	Potatoes	Cook potato strips (cut to 5-mm wide pieces). For a mass of 0.45 kg. Spread the strips out on a large plate. Cover the potatoes with suitable plastic wrap to prevent drying out.
A.7	Potatoes	As for A.6, for a mass of 0.65 kg.
A.8	Fish	For cooking fish gently. For a mass of 0.45 kg. Cut slits in the prepared fish. Place the fish on a large plate, season the fish and cover the fish with a suitable plastic wrap to prevent it from drying out. Let the fish rest for 2 minutes after the cooking.

- Press the **INSTANT/START** button.
- ✓ After the set cooking time is finished, the display shows “End”. Three consecutive signal tones sound if the door of the microwave oven has not yet been opened.



WARNING! Risk of burns from heated food!

Use suitable potholders to remove heated food from the microwave oven.



NOTE

The specified automatic cooking programs are based on guidelines. The actual cooking time required depends on the temperature, type and weight of the food. You can adjust the microwave power and cooking time in several stages to suit your needs (see chapter “Setting the multi-stage cooking program” on page 15).

- Open the door and remove the heated food.



NOTE

The signal tone is repeated every three minutes until you open the door.

7.7 Setting the multi-stage cooking program

You can adjust the microwave power and cooking time in up to 4 stages to meet your needs.

Example of a 2-stage cooking program: You would like to cook a dish at 100P for 3 minutes, then at 20P for 9 minutes.

- Place the food in the microwave oven and close the door.

- If necessary, press the **POWER** button repeatedly until the required microwave power of 100P is selected.
- Press the **+** or **-** buttons to set the cooking time to 3:00.
- If necessary, press the **POWER** button repeatedly until the required microwave power of 20P is selected.
- Press the **+** or **-** buttons to set the cooking time to 9:00.
- Press the **INSTANT/START** button.

7.8 Programming the timer

The timer function allows you to set a preferred time to start microwave operation.

An example of setting the timer function: It's 12:30 pm. At 2:30 pm, you would like to cook a dish at 100P for 3 minutes.

- Place the food in the microwave oven and close the door.
- Press the **CLOCK** button to set the time.
- ✓ The display shows 00:00.
- Press the **+** or **-** buttons to set the hours to 12:00 pm.
- Press the **CLOCK** button.
- Press the **+** or **-** buttons to set the minutes to 12:30 pm.
- Press the **CLOCK** button again.
- If necessary, press the **POWER** button repeatedly until the required microwave power of 100P is selected.
- Press the **+** or **-** buttons to set the cooking time to 3:00 pm.
- Press the **PRESET** button to set the timer.
- Press the **+** or **-** buttons to set the hour to 2:00 pm.
- Press the **PRESET** button.
- Press the **+** or **-** buttons to set the minutes to 2:30 pm.
- Press the **PRESET** button again to save the timer setting.
- ✓ The microwave oven starts at the set time.

You can check the timer function by pressing the **PRESET** button. The display shows the preset start time.

7.9 Locking the buttons

You can set a button lock as a child safety feature.

- ▶ To activate the button lock, hold the **PAUSE/CANCEL** button down for 3 seconds.
- ▶ To deactivate the button lock, hold the **PAUSE/CANCEL** button down for 3 seconds.

8 Cleaning and care

- Turn off the power and unplug the power plug before cleaning.
- Do not use scouring agents when cleaning the device.
- Keep the inside of the microwave oven clean. If food splashes or spilled liquids stick to the walls of the microwave oven, wipe them clean with a damp cloth. Use a mild detergent if the microwave oven is very dirty. Avoid the use of spray and other harsh cleaners, as they may cause stained, streaked or dull surfaces on the door.
- The outside surfaces should be cleaned with a damp cloth. To prevent damage to the operating components inside the microwave oven, water should not be allowed to enter directly into the air vents.
- Regularly wipe the door, the door seals and the adjacent parts with a damp cloth to remove dirt or splashes.
- Do not allow the control panel to get wet. Clean it with a soft, damp cloth. Leave the door open to avoid accidentally turning on the microwave oven.
- If moisture accumulates inside or around the outside of the door, wipe it dry with a soft cloth. This can occur if the microwave oven is operated under high humidity conditions, and is normal.
- Odors in the microwave oven can be removed by a cup of water and lemon juice and peel. Pour and place them in a deep microwave-safe container and turn on the microwave oven for 5 minutes. Wipe it out thoroughly and dry it with a soft cloth.
- Have a defective microwave lamp replaced by a specialist dealer.
- The microwave oven should be cleaned regularly and any food scraps should be removed. Not maintaining the device in a clean condition may damage the surface and shorten the service life of the device.

9 Troubleshooting

Fault	Solution
The microwave oven is not functioning.	Make sure that the microwave oven is plugged in correctly. If it is not properly plugged in, unplug it, wait 10 seconds, and then plug the microwave oven in correctly.
	Check if a fuse is blown or a circuit breaker has tripped. If they are functioning correctly, test the socket with another device.
	Make sure that the microwave oven and the cooking time are set correctly.
	Check whether the door is correctly closed. Otherwise, the micro-waves will not reach the interior of the microwave oven.

10 Warranty

The statutory warranty period applies. If the product is defective, please contact the manufacturer's branch in your country (see dometic.com/dealer) or your retailer.

For repair and warranty processing, please include the following documents when you send in the device:

- A copy of the receipt with purchasing date
- A reason for the claim or description of the fault

11 Disposal

- ▶ Place the packaging material in the appropriate recycling waste bins wherever possible.



If you wish to finally dispose of the product, ask your local recycling centre or specialist dealer for details about how to do this in accordance with the applicable disposal regulations.

12 Technical data

	MWO 240
Ref. no.:	9600028283
Rated voltage:	230 V~, 50 Hz
Microwave power:	700 W
Microwave frequency:	2450 MHz
External dimensions H x W x D:	283 x 451 x 353 mm
Internal dimensions H x W x D:	181.5 x 303 x 321 mm
Capacity:	17 liter
Weight:	11.5 kg

Mobile living made easy.



dometic.com

**YOUR LOCAL
DEALER**

dometic.com/dealer

**YOUR LOCAL
SUPPORT**

dometic.com/contact

**YOUR LOCAL
SALES OFFICE**

dometic.com/sales-offices

A complete list of Dometic companies, which comprise the Dometic Group, can be found in the public filings of:
DOMETIC GROUP AB Hemvärnsgatan 15 SE-17154 Solna Sweden