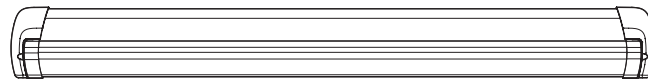


↗ DOMETIC

AWNINGS

DOOR AWNING



975XXXX.XX2(#)X

EN	Oasis Elite 975 Series Automatic RV Door Awning System
	Installation & Operation Manual.2

⚠ WARNING
Cancer and Reproductive Harm www.P65Warnings.ca.gov

Service Center & Dealer Locations

Visit: www.dometic.com

Read these instructions carefully. These instructions **MUST** stay with this product.

Contents

1 Explanation of Symbols and Safety Instructions 2

1.1 Recognize Safety Information 2

1.2 Understand Signal Words 2

1.3 Supplemental Directives 3

1.4 General Safety Messages 3

2 Intended Use 4

3 General Information 4

3.1 Included Hardware 4

3.2 Optional Components 4

3.3 Model Identification 4

4 Specifications 5

4.1 Door Clearance 5

4.2 Wire Length and Size 5

4.3 Awning Dimensions 5

5 Pre-Installation 5

5.1 Installing the Door Roller and Edge Guard . . 6

5.2 Determining the Awning Location 6

5.3 Preparing the Awning Rail 7

6 Awning Installation 7

6.1 Installing the Awning Rail and Inserting the Awning 8

6.2 Making the Electrical Connections 8

6.3 Completing the Installation 9

7 Electrical Kit Installation 10

7.1 Connecting the Motor and Operating Switch 10

7.2 Installing the Ignition Interlock 10

7.3 Installing the LED Light Switch 10

7.4 Installing the LED Light Connections 11

8 Post Installation 11

8.1 Testing the Operation 11

8.2 Adjusting the Retraction and Extension 11

9 Awning Operation 12

9.1 Operating the Awning 12

9.2 Closing the Awning Manually 12

10 Travel Storage and Removal 13

10.1 Securing the Awning for Travel 13

10.2 Removing the Awning 13

11 General Care and Maintenance 13

11.1 Cleaning the Hardware 14

11.2 Cleaning the Fabric 14

11.3 Repairing a Pinhole in the Fabric 14


12 Disposal 14

Limited One-Year Warranty 15

1 Explanation of Symbols and Safety Instructions


This manual has safety information and instructions to help you eliminate or reduce the risk of accidents and injuries.

1.1 Recognize Safety Information

 **This is the safety alert symbol.** It is used to alert you to potential physical injury hazards. Obey all safety messages that follow this symbol to avoid possible injury or death.

1.2 Understand Signal Words

A signal word identifies safety messages and property damage messages, and also indicates the degree or level of hazard seriousness.

 **DANGER!** Indicates a hazardous situation that, if **not** avoided, will result in death or serious injury.

⚠ WARNING

Indicates a hazardous situation that, if **not** avoided, could result in death or serious injury.

⚠ CAUTION

Indicates a hazardous situation that, if **not** avoided, could result in minor or moderate injury.

NOTICE: Used to address practices **not** related to physical injury.

i Indicates additional information that is **not** related to physical injury.

1.3 Supplemental Directives

To reduce the risk of accidents and injuries, please observe the following directives before proceeding to install or operate this appliance:

- Read and follow all safety information and instructions.
- Read and understand these instructions before installing or operating this product.
- The installation **must** comply with all applicable local or national codes, including the latest edition of the following standards:

U.S.A.

- ANSI/NFPA70, National Electrical Code (NEC)
- ANSI/NFPA 1192, Recreational Vehicles Code

Canada

- ANSI Z21.57, Recreational Vehicles Code
- CSA C22.1, Parts I & II, Canadian Electrical Code
- CSA Z240 RV Series, Recreational Vehicles

1.4 General Safety Messages

⚠ WARNING: ELECTRICAL SHOCK, FIRE, AND/OR EXPLOSION HAZARD. Failure to obey the following warnings could result in death or serious injury:

- This product **must** be installed or serviced by a qualified service technician.
- Do **not** modify this product in any way. Modification can be extremely hazardous.

- Frequently examine the product for an imbalance (uneven fit, sagging, or loose parts), signs of wear or damage to the wiring (if applicable), and other critical parts, such as the awning fabric, cables, and arm assemblies. Do **not** use the product if adjustments or repairs are necessary.
- Disconnect the product from the power supply (if applicable), and do **not** operate the product when maintenance (such as window cleaning) is being carried out in the vicinity.
- Do **not** allow anyone (including children) with reduced physical, sensory or mental capabilities, or lack of experience and knowledge, to use this product, unless they have been given supervision or instruction (concerning the use of this product) by a person responsible for their safety.
- Do **not** allow children to play with the product or with the operating switch.
- Keep remote controls (if applicable) away from children.

⚠ WARNING: IMPACT, CRUSH, OR FIRE HAZARD. Failure to obey the following warnings could result in death or serious injury:

- **Never** leave an open awning unattended. Keep the awning stowed (closed) when snow, heavy rain, wind, and severe weather conditions are expected.
- Do **not** allow water to pool, snow to accumulate, or heavy debris to rest on the awning fabric. Do **not** hang or place anything on the awning. The awning will become unstable, and it could bend or collapse.
- Keep sources of heat and fire (barbecue grills, portable heater, etc.) away from the awning.

⚠ CAUTION: PINCH HAZARD.

Maintain a horizontal distance of at least 16 in. (41 cm) between the fully open awning and any permanent object. Failure to obey this caution could result in minor or moderate injury.

NOTICE: Do **not** face the awning toward permanent objects that may interfere with the awning operation.

2 Intended Use

These instructions apply to the Oasis Elite 975 series awning (hereinafter referred to as “door awning”, “awning,” or “product”). It is designed for use over RV entry doors. This awning can be installed by one person with brief help from additional personnel. Use these instructions to ensure correct installation, function, and operation of the product.

The manufacturer accepts no liability for damage in the following cases:

- Faulty assembly or connection
- Damage to the product resulting from mechanical influences and excess voltage
- Alterations to the product without express permission from the manufacturer
- Use for purposes other than those described in the operating manual

Dometic Corporation reserves the right to modify appearances and specifications without notice.

3 General Information

This section describes the included hardware, optional kits and components, and the model identification number.

3.1 Included Hardware

i The images used in this document are for reference purposes only. Components and component locations may vary according to specific product models. Measurements may vary ±0.38 in. (1 cm).

Included Hardware	Quantity
#10-16 X 5/8 in. Self-Drilling Screws	2
#6-20 X 1/2 in. Square Drive Screw ¹	4

¹ Quantity varies by length of the awning rail.

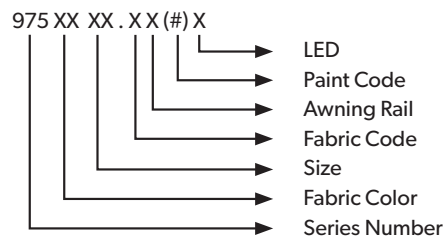
3.2 Optional Components

Optional Components and Kits	Ref. Number
Door Roller Kit	830304
Door Roller Kits (50 Pack)	830304.003
WeatherPro Control	3310287.002
WeatherPro Control	3310287.010
Power Awning Pro Control	3317115.000
Control Switch Accessory	3310455.062
Ignition Interlock Kit	3313283.008
Vinyl Liquid Patch (VLP)	3314216.000

3.3 Model Identification

Each awning is manufactured with a data plate that includes useful information like the model number, fabric color and type, awning rail, paint code, and LED. The data plate is located on the back of the lead rail on the front cover.

This section explains the parts of the model identification number.

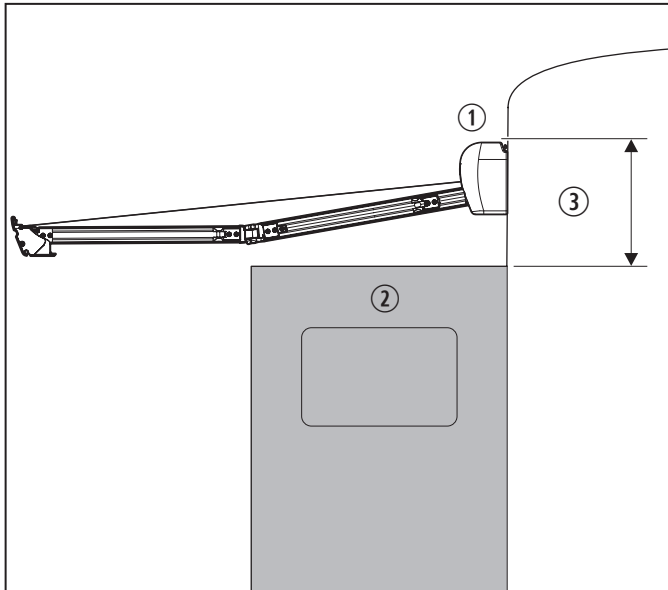


Series Number	975 = Elite 975 series awnings
Fabric Color	Variable
Size Code	48 = 48 in. (122 cm) 56 = 56 in. (142 cm) 60 = 60 in. (152 cm)
Fabric	0 = Vinyl 1 = Acrylic
Awning Rail	0 = Without awning rail 1 = With awning rail
Paint Code	Variable
LED	(blank) = Without LED L = With LED

4 Specifications

This section describes the components of the awning, including size, dimensions, and placement.

4.1 Door Clearance



1 Door Clearance

- ① Awning Rail
- ② RV Door (Open)
- ③ Minimum Clearance
10.5 in. (26.7 cm)

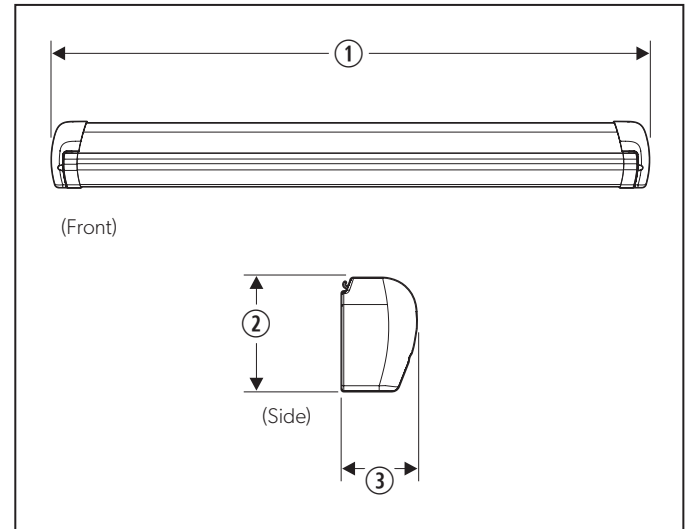
Maintain a minimum distance of 10.5 in. (26.7 cm) between the awning rail and the entry door.

4.2 Wire Length and Size

To avoid voltage drop, follow this wire length guide for all awning wiring.

Wire Length	Wire Size
10 ft (3 m) and Under	14 gauge
11 ft – 30 ft (3.4 m – 91.4 m)	12 gauge
Over 30 ft (91.4 m)	10 gauge

4.3 Awning Dimensions



2 Overall Awning Dimensions

Model	① (L)	② (H)	③ (D)
975XX48.XX2(#)(L)	48.5 in. (123 cm)	6 in. (15 cm)	4 in. (10 cm)
975XX56.XX2(#)(L)	55.5 in. (141 cm)	6 in. (15 cm)	4 in. (10 cm)
975XX60.XX2(#)(L)	59.5 in. (151 cm)	6 in. (15 cm)	4 in. (10 cm)

5 Pre-Installation

⚠ WARNING: IMPACT OR CRUSH HAZARD.

Make sure the mounting surface on the RV is flat, has solid structural backing where the fasteners penetrate surface, and will safely and securely support the product. Otherwise, the product may become unstable and could detach, bend, or collapse. Failure to obey this warning could result in death or serious injury.

NOTICE: Failure to obey the following notices may cause damage to the product:

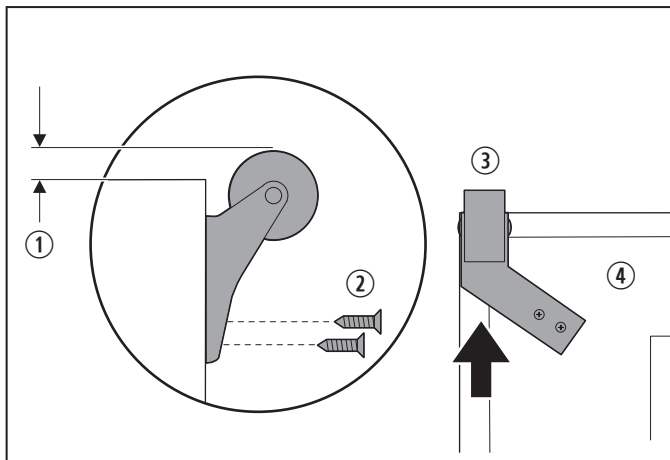
- Make sure the awning rail is parallel to the RV floor and is **not** warped or curved before installing the awning fabric. If the awning rail is **not** straight, the awning fabric may wrinkle or stretch.

- Allow for sufficient clearance between the awning fabric and the entry door to accommodate the awning slope.
- Do **not** allow the corner of the entry door to contact the awning fabric. Otherwise, premature wear or tearing of the awning fabric could occur.

5.1 Installing the Door Roller and Edge Guard

Squared-corner entry doors and some rounded-corner doors may contact the awning fabric and cause damage. To prevent damage, you must install a door roller kit (not included). See "Optional Components" on page 4 to order door roller kits.

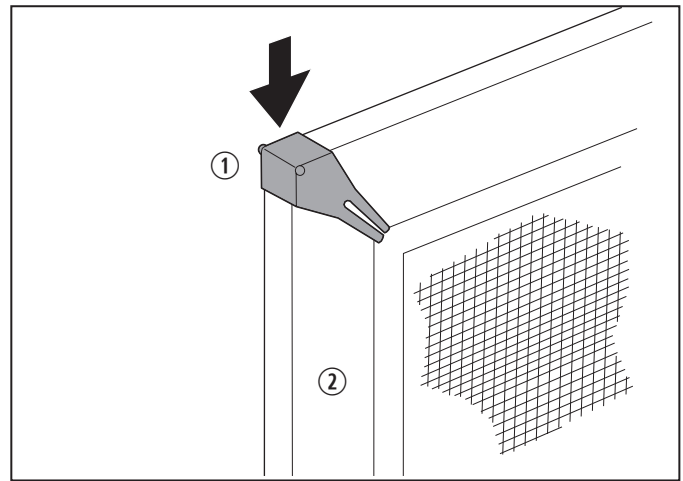
- i** If the awning does not need a door roller, skip this section and proceed to "Determining the Awning Location" on page 6.



3 Roller Clearance

- | | |
|---|------------------------|
| ① Above Door Clearance
0.3–0.4 in.
(0.8–1.0 cm) | ② Self-drilling Screws |
| | ③ Door Roller |
| | ④ Outer Entry Door |

1. Place the door roller at the upper corner opposite to the hinge of the outer entry door.
2. Face the roller out and 0.3–0.4 in. (0.8–1.0 cm) above the door.
3. Place and tighten the self-drilling screws (provided) through the mounting holes and into the door.



4 Installing the Door Edge Guard

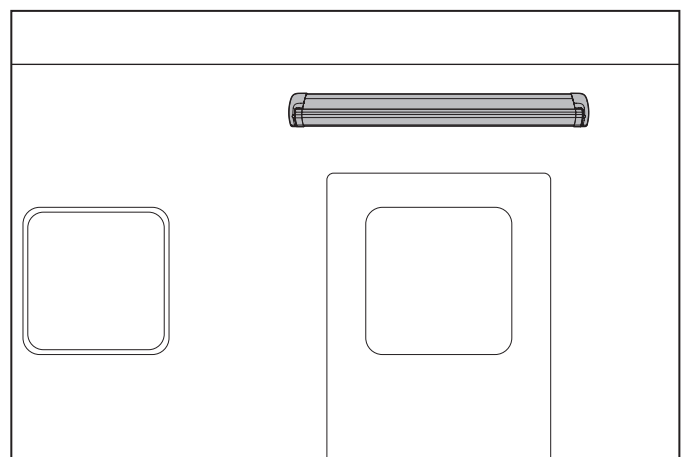
- ① Door Edge Guard ② Inner Screen Door

4. Clip the door edge guard onto the upper corner (opposite to the hinge) of the inner screen door.

- i** A slight "travel line" may appear where the door roller contacts the awning fabric. This is normal and does not affect the integrity of the awning fabric.

5.2 Determining the Awning Location

- i** If your Oasis 975 model did not include the awning rail, you may order it separately (see "Optional Components" on page 4), or you may use an awning rail from a previous Oasis awning if the rail is not damaged.

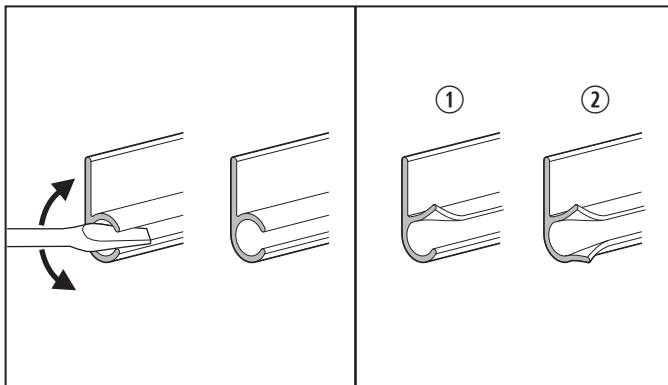


5 Awning Location

To ensure the correct function and appearance, the awning rail should be installed on a flat, straight surface. In addition, the location should:

- Be a solid structure that will support the awning rail and the back rail at all mounting points.
- Be parallel to the RV floor.
- Be centered over the door.
- Not interfere with the entry door swing when the awning is completely extended. See “Door Clearance” on page 5.
- Provide a minimum space of 0.5 in. (1.3 cm) at the top and sides of the awning case. Additional clearance is recommended to allow easier access for servicing.

5.3 Preparing the Awning Rail



6 Preparing the Awning Rail

① LED Awning
(Top Only)

② Typical Awning
(Top and Bottom)

1. Select the desired awning rail end on the RV into which you will insert the awning fabric.
2. Use a flat-bladed screwdriver to flare (widen) that end of rail, and file any sharp edges.

6 Awning Installation

⚠️ WARNING: IMPACT OR CRUSH HAZARD.

This product should be installed in a controlled environment (inside). Do **not** install the product during windy conditions or when wind is expected. The product could move unpredictably or become unstable, causing it to detach, bend, or collapse. Failure to obey this warning could result in death or serious injury.

⚠️ WARNING: FIRE OR ELECTRICAL SHOCK HAZARD.

Before drilling or cutting into the RV, make sure there are no obstacles (such as wires, pipes, etc.) inside the RV’s roof, floor, or walls. Shut off the gas supply, disconnect the 120 VAC power from the RV, and disconnect the positive (+) 12 VDC terminal from the supply battery. Failure to obey this warning could result in death or serious injury.

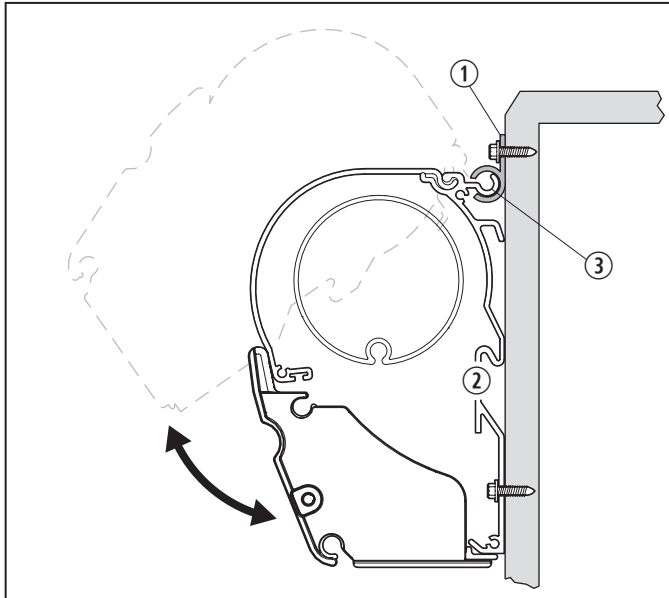
⚠️ CAUTION: LIFTING HAZARD.

Use proper lifting technique and control when lifting the product. Failure to obey this caution could result in minor to moderate injury.

NOTICE: Failure to obey the following notices may cause damage to the product:

- Always seal the wiring against weather and moisture where the wiring and fasteners enter the RV’s walls, roof, or floor. Always use sealant on clean parts and surfaces. Otherwise, water leakage could occur.
- Do **not** pinch the wiring or allow it to rub against sharp edges. If wiring is damaged, it **must** be replaced by a qualified service technician.

6.1 Installing the Awning Rail and Inserting the Awning



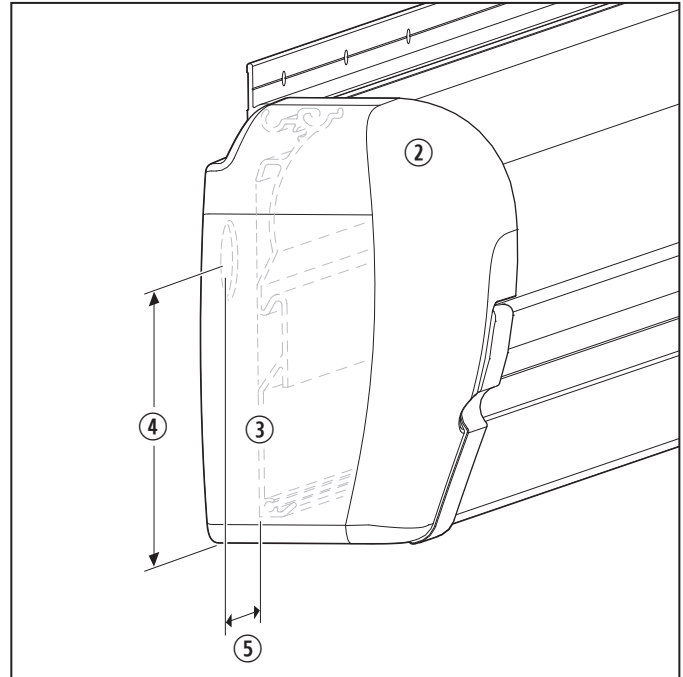
7 Installing the Awning

- ① Awning Rail
- ② Awning Back Rail
- ③ Awning Back Rail Bracket

1. Apply sealant to the back edge of the awning rail and to the #6-20 X 1/2 in. screws (provided).
2. Place and tighten the screws through the awning rail and into the RV wall.
3. Carefully lift the awning and align the back rail bracket to the prepared awning rail end. Use a stepladder if necessary.
4. Insert the back rail bracket into the awning rail.
5. Carefully slide the awning until it is in the desired position.

To facilitate sliding along the rail, you may rotate the awning up and secure the motor wiring out of the way.

6.2 Making the Electrical Connections

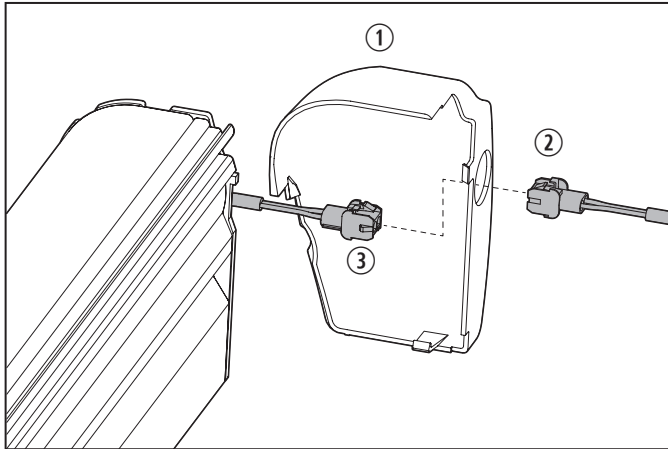


8 Awning Wiring Hole Location

- ① Wiring Hole
- ② Left-Hand (LH) Cover
- ③ Awning Back Rail
- ④ Bottom Edge to Wiring Hole: 3.6 in. (9.1 cm)
- ⑤ LH Cover to Wiring Hole: 0.7 in. (1.8 cm)

1. Mark the awning wiring hole location. With the awning in the desired position:
 - a. Make a vertical mark along the LH edge of the awning back rail.
 - b. Make a horizontal mark along the bottom edge of the awning back rail.
 - c. Carefully slide the awning along the awning rail to the right, far enough for free access to the marked location.
 - d. Measure 3.6 in. (9.1 cm) above the horizontal mark, and make a new horizontal mark.
 - e. Measure 0.7 in. (1.8 cm) to the left of the vertical mark, and make a new vertical mark that crosses the second horizontal mark.

2. Using the plug connectors supplied with the wiring harness and the electronic control kit, make sure the connections will mate:
 - BLACK wire to BLUE awning motor wire
 - RED wire to BROWN awning motor wire
3. Drill one 5/8 in. (1.6 cm) diameter hole at the marked wiring hole location through the RV's outside wall.



9 Awning Wiring

- ① LH Cover
- ② Door Motor Wiring Harness
- ③ Awning Motor Wiring

4. Pull the wiring through the drilled hole, the grommet (installer supplied), and the wiring hole in the LH cover.

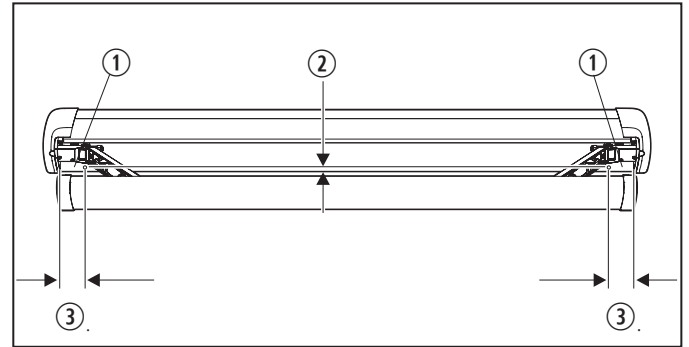
i If using sealant or heat shrink tubing instead of a grommet, make sure the sealant or tubing will provide effective and permanent protection against wire damage.

5. Add the plug connector to the door motor wiring harness in compliance with all applicable codes
6. Connect the plug connector to the awning motor wiring.

6.3 Completing the Installation

1. Carefully slide the awning to the left along the awning rail until the LH cover align with the first vertical mark.
2. With power applied to the awning, fully extend the awning.

3. Verify the wiring (if applicable) is not caught between the awning and the RV wall before tightening the back rail fasteners.



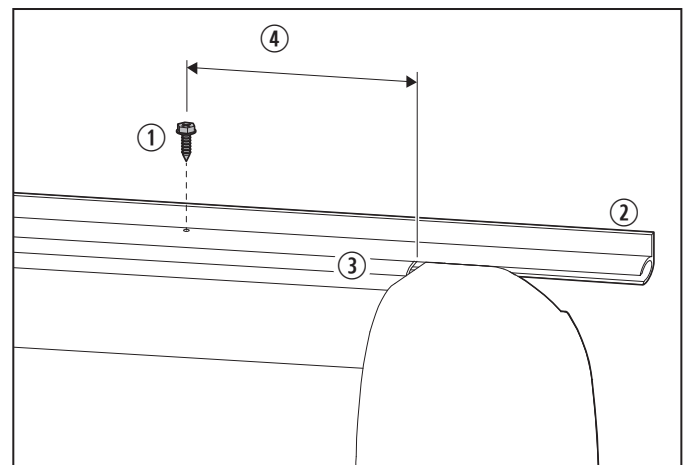
10 Bottom Mounting Holes

- ① Approximate Location of Bottom Mounting Holes
- ② Distance above Bottom Edge: 0.5 in. (1.3 cm)
- ③ Distance from End of Back Rail: 4 in. (10 cm)

4. If the bottom mounting holes are not already present, drill two 9/16 in. (4 mm) diameter holes through the back rail approximately:
 - 0.5 in. (1.3 cm) above the bottom edge
 - 4 in. (10 cm) from each end of the back rail

5. Apply sealant to the #10-16 X 5/8 in. screws (provided).

i The screws provided are self drilling (tapping), so it is **not** necessary to drill through the RV wall.



11 TEK Screw Location

- ① TEK Screw
- ② Awning Rail
- ③ Awning Bracket
- ④ From Bracket Edge 6 in. (15 cm)

6. Place and tighten the screws through the bottom mounting holes into the RV.
7. Secure the awning with a #6 X 1/2 in. TEK screw (installer supplied) on each end of the awning rail, approximately 6 in. (15 cm) from the awning bracket edge.

7 Electrical Kit Installation

This section describes how to install electrical components such as the motor and operating switch, the LED light switch, and the ignition interlock.

⚠ WARNING: IMPACT, CRUSH, OR PROJECTILE HAZARD. Failure to obey these warnings could result in death or serious injury:

- Make sure the ignition interlock is working correctly before traveling with the RV. If the awning responds to the switch with the ignition in the ON position, accidental operation during transit could occur. The awning **must** be disabled, then serviced by a qualified technician.
- Do not attempt transport with an awning motor that has been damaged from an impact. Otherwise, the awning could extend quickly and unexpectedly, becoming a projectile during transit. If the awning has been damaged, contact a licensed or certified technician for repair.

⚠ WARNING: FIRE OR ELECTRICAL SHOCK HAZARD. Failure to obey these warnings could result in death or serious injury:
Before drilling or cutting into RV, make sure there are no obstacles (wires, pipes, etc.) inside the RV's roof, floor, or walls. Turn off the gas supply, disconnect the 120 VAC power from the RV, and disconnect the positive (+) 12 VDC terminal from the supply battery.

NOTICE: Failure to obey the following notices may cause damage to the product:

- Always seal the wiring against weather and moisture where it enters the RV's walls, roof, or floor. Otherwise, water leakage could occur.
- Use a grommet or heat shrink tubing wherever wiring passes through the RV wall.

- Do **not** pinch the wiring or allow it to rub against sharp edges. If the wiring is damaged, it **must** be replaced by a qualified service technician.
- Do **not** expose the LED switch to weather, extreme temperatures, or long hours in direct sunlight.

7.1 Connecting the Motor and Operating Switch

1. Pull the motor wiring through the wiring hole and grommet, and connect it to the appropriate wiring inside the RV.
2. Make the electrical connections inside the RV per the instructions supplied with your Dometic Control Switch Accessory.

7.2 Installing the Ignition Interlock

1. Install the ignition interlock per the instructions supplied with the ignition interlock kit or an optional control kit such as Power Awning Pro or WeatherPro.
2. Verify the ignition interlock is working correctly:
 - a. Turn the ignition to the ON position.
 - b. Attempt to operate the awning.

If the awning does not respond, the ignition interlock is operating properly.

If the awning operates:

1. Close the awning.
2. Disconnect the awning from the power source.
3. Have the ignition interlock repaired by a qualified service technician.

7.3 Installing the LED Light Switch

An LED light switch (installer supplied) is required for awning models equipped with an LED light strip.

i If the awning does not have an LED light strip, skip this section and proceed to "Post Installation" on page 11.

1. Find a suitable location for the LED switch.
2. Inside the RV, route the wiring to the general location

where connections to the awning hardware will be made.

3. Make the appropriate wiring connections inside the RV per the instructions supplied with the LED light switch.

Wiring connections to the awning through the outside RV wall will be made later.

7.4 Installing the LED Light Connections

i If the awning does not have an LED light strip, skip this section and proceed to “Post Installation” on page 11.

1. With the awning open, drill one 5/8 in. (1.6 cm) diameter hole through the outside RV wall that is:
 - Near the right end of the awning.
 - Under the awning rail.
 - Where the LED wiring can pass through wall without interference.
2. Pull the wiring through the wiring hole and the grommet.
3. Connect the LED switch wiring to the factory pre-wired LED light strip per the instructions supplied with your LED switch kit (installer supplied).
4. Secure the wiring to prevent pinching or other damage during awning operation. Allow enough slack in the wiring to safely accommodate possible fabric movement.

8 Post Installation

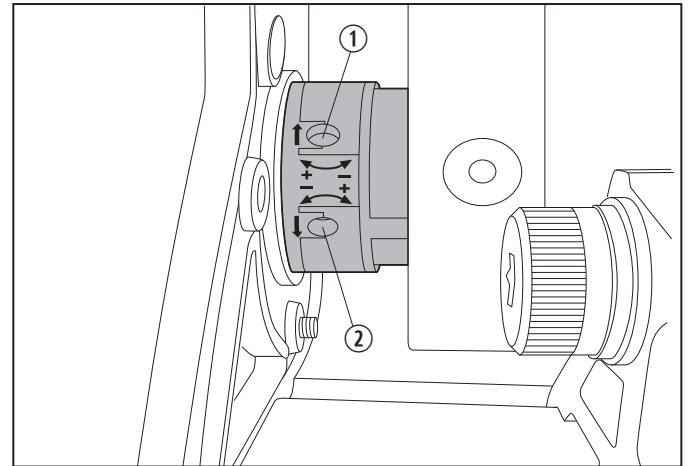
This section describes the tasks you need to do after completing the installation.

8.1 Testing the Operation

With power applied to the awning, open and close the awning to verify that all parts are functioning correctly. See “Awning Operation” on page 12.

8.2 Adjusting the Retraction and Extension

The awning comes equipped with limit switches to stop the motor at full extension and full retraction. These limits are set at the factory and typically should not need any adjustment by the installer or the user. If the limit switches need to be adjusted, use a 3 mm hex key.



12 Limit Switches (Bottom, Left End)

① Extension Adjustment Screw

② Retraction Adjustment Screw

Retraction adjustments:

- If the front rail does not fit snugly against the case when the awning is fully closed, turn the retraction adjustment screw clockwise to adjust for more retraction.
- If the motor does not turn itself off and continues trying to turn when the awning is fully closed, turn the retraction adjustment screw counterclockwise to adjust for less retraction.

i If the motor continues to try to turn when the awning is fully retracted, damage to the motor or the awning components may occur.

Extension adjustments:

- If the awning tries to overextend, turn the extension adjustment screw counterclockwise to adjust for less extension.
- If the awning does not fully extend, turn the extension adjustment screw clockwise to adjust for more extension.

9 Awning Operation

⚠️ WARNING: IMPACT OR CRUSH HAZARD.

Do **not** allow water or snow to accumulate on the awning fabric. This weight will cause the awning to become unstable, and it could bend or collapse. Failure to obey this warning could result in death or serious injury.

⚠️ WARNING: PINCH HAZARD.

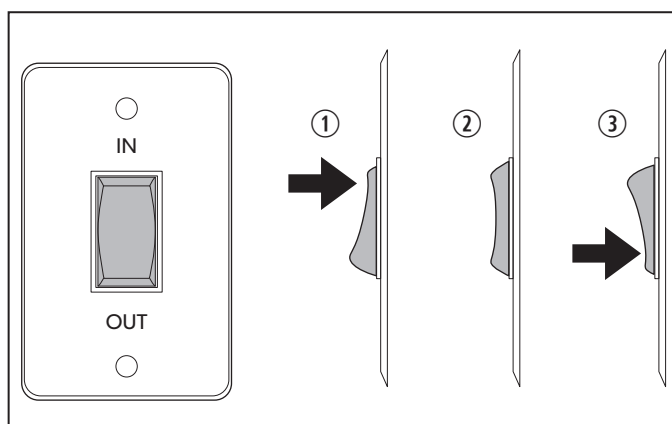
Keep clear of the arm assemblies while closing the awning. The arm assemblies fold or close against the back rail. Failure to obey this warning could result in death or serious injury.

⚠️ WARNING: ELECTRICAL SHOCK HAZARD.

Disconnect the power from the product before accessing the wiring connections. There may be issues mimicking a power failure with electric current still present, or power may return unexpectedly. Failure to obey this warning could result in death or serious injury.

NOTICE: When using an external power source to close the awning, disconnect the power immediately after the awning retracts. Otherwise, damage to the awning motor could occur.

9.1 Operating the Awning



13 Power Switch

① Retract

③ Extend

② Stop

To operate the awning, use the switch as shown in Figure 13, or use the instructions supplied with the optional control kit.

The awning automatically stops when the button is released.

9.2 Closing the Awning Manually

In case of a power failure, you may need to close the awning manually using power from an external source, such as a 12 VDC automobile battery.

After the awning is closed manually, it may require service by a qualified service technician.

1. Rule out simple causes for power failure, such as:
 - RV is not connected to power
 - Battery is low or discharged
 - Ignition interlock is on
2. Disconnect the 120 VDC power from the RV to the awning.
3. Unplug the door motor wiring harness connector from the electronic control box.

i Do not connect to the electronic control box. Match the wire lead colors to the door motor wiring harness colors.

- BLACK wire lead to BLUE door motor wire
- RED wire lead to BROWN door motor wire

4. Connect 16-gauge (minimum) wire leads (user supplied) to the door motor wiring harness connector, and tape the wires in place with electrical tape.
5. With someone watching the awning, connect the other end of the wire leads to the 12 VDC external power source until the awning retracts to its closed position:

i The lead wire connected to the positive (+) terminal must have a (3 A) in-line fuse installed.

i The awning will extend if wire leads are reversed.

- a. Connect the BLACK wire to the positive (+) terminal.
- b. Connect the RED wire to negative (-) terminal.
- c. Disconnect the wire leads from power source once the awning fully retracts.

6. If the awning responds to the external power source, make sure the awning is completely closed and secure. See "Securing the Awning for Travel" on page 13.
 7. If the awning does not respond to the external power source, the wiring harness may have a short. Proceed to the next step.
 8. Remove the LH cover from the awning, and unplug the door motor wiring harness from the awning motor wiring connector. See Figure 9.
 9. Connect 16-gauge minimum wire leads (user supplied) to the awning motor wiring connector, and secure in place with electrical tape.
- i** Do not connect to the door motor wiring harness. Match wire lead colors to the awning motor wiring colors:
- BLACK wire to BLUE awning motor wire
 - RED wire to RED (or BROWN) awning motor wire
10. Repeat steps 5 through 6.
 11. If the awning still does not respond to the external power source, the motor may be defective. Proceed to "General Care and Maintenance" on page 13.

10 Travel Storage and Removal

⚠ WARNING: IMPACT OR PINCH HAZARD.

Hold the awning rail firmly while closing the awning. The awning rail and lateral arm assemblies are under tension from the gas strut and could extend quickly and unexpectedly if not controlled. Failure to obey this warning could result in death or serious injury.

⚠ CAUTION: LIFTING HAZARD.

Use proper lifting technique and control when lifting the product. Failure to obey this caution could result in minor to moderate injury.

10.1 Securing the Awning for Travel

1. Fully close the awning.
2. Verify the awning is secure for traveling.

10.2 Removing the Awning

1. Fully close the awning.
2. With the LH cover removed from the awning, verify the door motor wiring harness is unplugged from the awning motor wiring connector. See Figure 9.
3. Remove the two #10-16 X 5/8" screws securing the awning back rail to the RV. See Figure 10.
4. Remove the #6 X 1/2" TEK screws securing the awning bracket to the awning rail. See Figure 11.
5. With brief help from additional personnel, carefully slide the awning from the rail.
6. While maintaining firm control, push the lead rail back until it closes against the awning casing. Then securely tie it closed with fabric strapping, light rope, or several wraps of strong duct tape.

11 General Care and Maintenance

This section describes basic usage precautions, cleaning the hardware and fabric, and repairing pinholes in the fabric.

NOTICE: Failure to obey the following notices could damage the product.

- Do **not** use strong chemicals or abrasives to clean parts, as their protective surfaces will be damaged.
- Do **not** use abrasive or corrosive cleaners, mildew removers, or hard bristle brushes on the awning fabric.
- Do **not** use silicone sprays near labels. Otherwise, the label's adhesive bond to the product surfaces could weaken.
- Do **not** use insecticides or other sprays near the awning fabric. These could cause stains and could adversely affect the fabric's ability to repel water.
- Do **not** expose the awning to adverse environmental conditions, corrosive agents, or other harmful conditions.
- Do **not** allow the corner of the entry door to contact the awning fabric. Otherwise, premature wear or tearing of the awning fabric could occur.

- Do **not** allow dirt, leaves, or other debris to accumulate on the awning, which could cause abrasion and stains. Mildew could grow on the dirt and organic debris, causing permanent discoloration, stains, and odors to the awning fabric.
- **Never** close the awning for storage when wet. The combination of moisture and dirt could result in mildew, discoloration, and stains.

i If it is necessary to close the awning temporarily while it is wet, make sure you open it and let it dry as soon as conditions allow before closing it again.

11.1 Cleaning the Hardware

- Clean the awning hardware as needed with a mild surface cleaner, such as dish soap.
- Apply silicone spray lubricant as needed to keep the fabric roller tube assembly's moving parts operating smoothly.
- Lubricate all sliding surfaces of the arm assemblies with silicone spray as needed.

11.2 Cleaning the Fabric

Vinyl fabric offers the advantage of durability and water resistance.

i Wrinkling is a normal characteristic of vinyl. Wrinkling may be more noticeable when retracted, and after prolonged periods of being rolled up and stored. Leave the awning open during warm weather to minimize the wrinkling.

1. Mix 0.25 cup (59 ml) dish soap and 0.25 cup (59 ml) bleach to 5 gallons (19 L) of fresh water to use as a cleaning solution.
2. Liberally drench the open the awning fabric with cleaning solution.
3. Close the awning.
4. Let it soak for 5 minutes.
5. Open the awning.
6. Thoroughly rinse the awning to remove the solution, repeating as often as needed to be sure you have removed the solution completely.

i Bleach will degrade the awning fabric if it is not completely removed.

7. Allow the awning to dry thoroughly before rolling up and stowing.

11.3 Repairing a Pinhole in the Fabric

NOTICE: Never close the awning when the Vinyl Liquid Patch (VLP) patch is wet. Otherwise, the VLP will melt through the layers, causing damage to other parts of the awning fabric.

You can also use this procedure to repair patches where coating has flaked off the top layer of the vinyl fabric:

1. Apply a very small dab of VLP on the tip of a cotton swab.
2. Gently roll the cotton swab around the pinhole. The VLP melts the coating on the fabric, which quickly fills in the pinhole and blends with all colored vinyls.
3. Allow the VLP to dry thoroughly before rolling up and stowing the awning.

12 Disposal



Place the packaging material in the appropriate recycling waste bins, whenever possible. Consult a local recycling center or specialist dealer for details about how to dispose of the product in accordance with all applicable national and local regulations.

LIMITED ONE-YEAR WARRANTY

LIMITED ONE-YEAR WARRANTY AVAILABLE AT WWW.DOMETIC.COM/WARRANTY.

IF YOU HAVE QUESTIONS, OR TO OBTAIN A COPY OF THE LIMITED WARRANTY FREE OF CHARGE, CONTACT:

DOMETIC CORPORATION
CUSTOMER SUPPORT CENTER
1120 NORTH MAIN STREET
ELKHART, INDIANA, USA 46514
1-800-544-4881 OPT 1

Mobile living made easy.



dometic.com

**YOUR LOCAL
DEALER**

dometic.com/dealer

**YOUR LOCAL
SUPPORT**

dometic.com/contact

**YOUR LOCAL
SALES OFFICE**

dometic.com/sales-offices
