



DOMETIC CORPORATION
1120 North Main Street, Elkhart, IN 46514
Please Visit: WWW.DOMETIC.COM

LITERATURE NUMBER **MPD 91423**

TANK REPLACEMENT

4-6-10 GALLON LP MODELS

Revision A, 10/22/18

REFERENCE FIGURES ARE ON BACKSIDE

CONSULT MPD 93756 FOR COMPLETE WATER HEATER
INSTALLATION, OPERATION AND MAINTENANCE INSTRUCTIONS

**⚠ WARNING
FIRE OR EXPLOSION**

- Shut off gas supply at LP container before disconnecting a gas line.

1. Shut off LP gas.

**⚠ WARNING
SCALDING INJURY**

- Water in tank must be cool before working on the water heater or before replacement of tank.

2. Open hot water faucets and allow water to run until cool.

**⚠ WARNING
ELECTRICAL SHOCK INJURY/ELECTROCUTION**

- Power source must be disconnected before servicing of water heater.
- Label all wires before disconnecting when servicing.
- Verify proper operation after servicing.

3. Shut off electric power at breaker box.
4. Shut off water supply if hooked up to outside source. Turn off water pump in coach.
5. Remove drain plug ①/②-B and snap open pressure-temperature relief valve ①/②-F or open faucets in coach. Allow water to drain until it stops flowing from the drain plug.
6. Disconnect LP gas line from 45° elbow ①/②-C.
7. Disconnect hot and cold water connections at back of water heater.
8. Remove burner assembly and other components, as listed:
NOTE: Use of proper thermostat and relief valve wrenches prevent damage to components.

PILOT MODELS: pilot assembly ①-G and main burner ①-H together, carefully remove thermostat ①-E, pressure-temperature relief valve ①-F, flue box ①-A and pilot relighter board ①-I.

DIRECT SPARK IGNITION MODELS: carefully remove main burner ②-H, pressure temperature relief valve ②-F, flue box ②-A and electrode ②-K.

- a. shut off 12 volt power at circuit breaker (fuse box).
- b. disconnect brown and red wires from thermostat and ECO ②-J.
- c. remove black rubber pad, thermostat and ECO ②-J.

9. Remove screws around flanges ①/②-D of combustion pan on outside of water heater.
10. Using a wide bladed screwdriver or putty knife, loosen flanges from side of coach by breaking the caulking seal.
11. Pull the water heater out of the coach.

DIRECT SPARK IGNITION MODELS: Pull unit partially out of coach and disconnect wires behind combustion pan flange ②-D.
NOTE: Mark wires so they can be properly reconnected.

12. Remove elbows or tees from water connections at back of water heater.
13. Pry up on metal grommets around large combustion tubes and cut-off with cut-off blade and grinder. Separate tank from combustion pan.
14. Install foam seal around drain valve and thermostat couplings on new tank.
15. Insert tank into combustion pan. Place large gaskets around large

combustion tubes, then place metal retainer rings over tubes and tap down until pressed firmly against back of combustion pan. Place adhesive backed seal around relief valve coupling.

16. Replace all water fittings.
17. Heating elements in **COMBINATION GAS/ELECTRIC MODELS:**
SCREW-IN HEATING ELEMENT - 4 & 6 GALLON MODEL
 - a. Disconnect black wire from the ON/OFF switch ③-F to the black power supply wire and the white wire from the element ③-C to the white neutral supply wire.
 - b. Replacement tank is equipped with all 110VAC components attached.
 - c. Attach black power source wire to the black wire of the ON/OFF switch ③-F and the white wire from the element ③-C to the white neutral supply wire. Go to step 18.

SCREW-IN HEATING ELEMENT - 10 GALLON MODEL

- a. Remove the cover ④-A, insulation and cardboard protector ④-D.
- b. Remove white wire from element ④-C, black wire from element ④-C to ECO ④-B, black wire from ECO ④-B to thermostat ④-E, black wire from thermostat ④-E to ON/OFF SWITCH ④-F and green ground wire from ground screw.
- c. Unscrew element ④-C from tank and remove gasket from flange.
- d. Remove thermostat ④-E and ECO ④-B.
- e. On new tank, install thermostat ④-E and ECO ④-B.
- f. Install element gasket on flange, screw element ④-C into new tank.
- g. Re-attach green ground wire to ground screw, black wire from thermostat ④-E to ON/OFF SWITCH, black wire from ECO ④-B to thermostat, black wire from element ④-C to ECO ④-B and white wire to element ④-C.
- h. Replace cardboard protector ④-D, insulation and the cover ④-A. Go to step 18.

BOLT-IN HEATING ELEMENT - ALL MODELS

- a. Disconnect black wire from the ON/OFF SWITCH ⑤-A to the black power supply wire and the white wire from the thermostat ⑤-B to the white neutral supply wire.
- b. Replacement tank is equipped with all 110VAC components attached.
- c. Attach black power source wire to the black wire of the ON/OFF SWITCH ⑤-A and the white wire from the element ⑤-C to the white neutral supply wire.

18. Insert water heater back into coach opening.
DIRECT SPARK IGNITION MODELS: partially insert unit into coach and reconnect wire as follows:

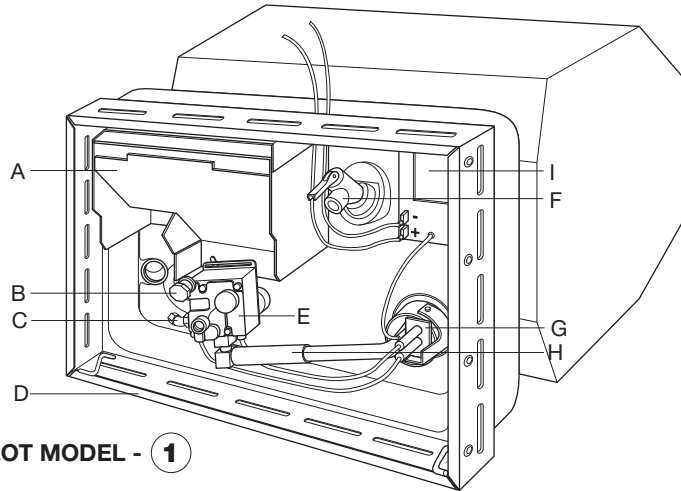
- brown wire to 12 volt positive (+)
- green wire to 12 volt negative (-)
- blue wire to non-ignition light

**⚠ CAUTION
PRODUCT DAMAGE**

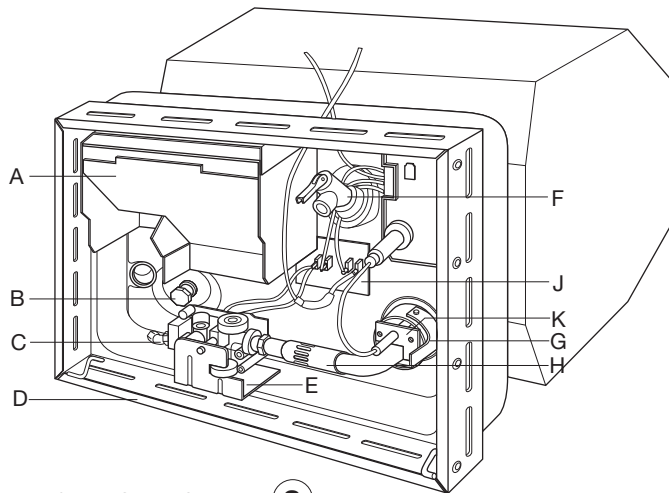
- 12 volt power must be off while reconnecting wires.
- Do not pinch wires when pushing unit into coach.

Put caulking around flanges and push against coach skin. Replace all screws around flange securing unit to the coach. Fill any gaps around the flanges with caulk to prevent rain water leaks.

19. Reassembly of water heater components.
 - a. **PILOT MODELS:** using pipe compound on all threads, carefully screw drain plug, relief valve and thermostat into tank and tighten to original position. Replace flue box, main burner and pilot assembly by reversing step 8.



PILOT MODEL - 1



SPARK IGNITION MODEL - 2

b. For **DIRECT SPARK IGNITION MODELS**: Using pipe compound on all threads carefully screw drain plug and relief valve into tank. Replace flue box, main burner, electrode assembly and circuit board. Replace thermostat and ECO by reversing steps 8-b and 8-c.

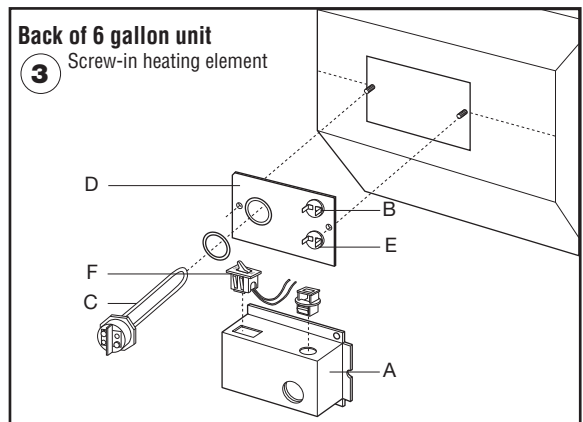
CAUTION
PRODUCT DAMAGE

- Do not over-tighten pilot assembly's thermocouple lead in control. Tighten 1/4 turn beyond finger tight.

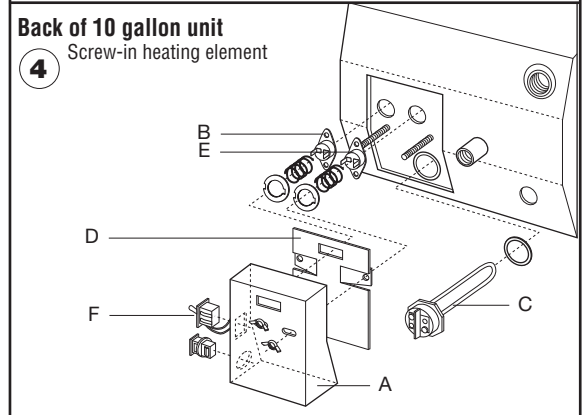
20. Reconnect water connections. Make sure inlet and outlet connections are to correct fittings, and are leak proof. If a winterizing bypass kit is utilized, ensure levers are in proper position.

WARNING
DEATH, EXPLOSION, FIRE OR
CARBON MONOXIDE POISONING

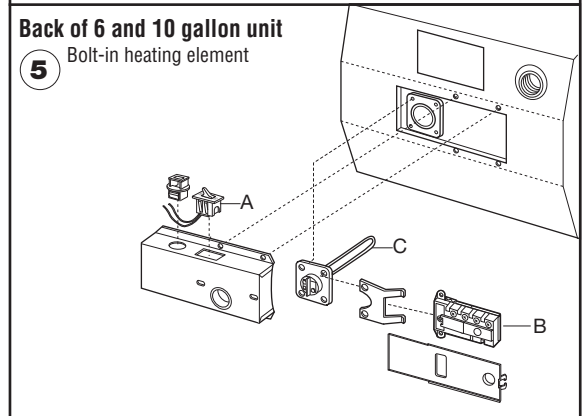
- LP gas is extremely flammable. Test all fittings for gas leaks prior to operation.
- **DO NOT** use matches, candles or other sources of ignition when checking for gas leaks.



3 Screw-in heating element



4 Screw-in heating element



5 Bolt-in heating element

21. Hook up gas line connections. Turn on LP gas at bottles and immediately check all gas connections with leak detection solution. If bubbles are detected, turn off gas, retighten all connections and repeat this procedure. Leaks are very dangerous. Double check all connections.

CAUTION
PRODUCT FAILURE

- Do not operate water heater without water in tank.

22. Turn on water supply and water pump. Open hot water faucets until a steady stream of water flows.
23. On **COMBINATION GAS/ELECTRIC** water heater units, reconnect electric power.
24. Follow instructions in IOM for lighting and operating the water heater.