



DOMETIC CORPORATION
1120 North Main Street, Elkhart, IN 46514
Please Visit: WWW.DOMETIC.COM

LITERATURE NUMBER **MPD 91135**

TANK REPLACEMENT

ELECTRONIC IGNITION MODELS 4-E & 10-E

Revision A, 10/22/18

REFERENCE FIGURES ARE ON BACKSIDE

CONSULT MPD 93755 FOR COMPLETE WATER HEATER
INSTALLATION, OPERATION AND MAINTENANCE INSTRUCTIONS

 **WARNING**
FIRE OR EXPLOSION

- Shut off gas supply at LP container before disconnecting a gas line.

1. Shut off LP gas.

 **WARNING**
SCALDING INJURY

- Water in tank must be cool before working on the water heater or before replacement of tank.

2. Open hot water faucets and allow water to run until cool.

 **WARNING**
ELECTRICAL SHOCK INJURY/ELECTROCUTION

- Power source must be disconnected before servicing of water heater.
- Label all wires before disconnecting when servicing.
- Verify proper operation after servicing.

3. Shut off electric power at breaker box.

4. Shut off water supply if hooked up to outside source. Turn off water pump in coach.

5. Remove drain plug and snap open pressure-temperature relief valve FIG 2-F or open faucets in coach. Allow water to drain until it stops flowing from the drain plug.

6. Disconnect LP gas line from 45° elbow FIG 2-C.

7. Disconnect hot and cold water connections at back of water heater.

8. Remove burner assembly and other components, as listed:

NOTE: Use of proper thermostat and relief valve wrenches prevent damage to components.

Carefully remove main burner FIG 2-H, pressure temperature relief valve FIG 2-F, flue box FIG 2-A and electrode FIG 2-K.

- shut off 12 volt power at circuit breaker (fuse box).
- disconnect brown and red wires from thermostat and ECO FIG 2-J.
- remove black rubber pad, thermostat and ECO FIG 2-J.

9. Remove screws around flanges FIG 2-D of combustion pan on outside of water heater.

10. Using a wide bladed screwdriver or putty knife, loosen flanges from side of coach by breaking the caulking seal.

11. Pull the water heater out of the coach.

Pull unit partially out of coach and disconnect wires behind combustion pan flange FIG 2-D.

NOTE: Mark wires so they can be properly reconnected.

12. Remove elbows or tees from water connections at back of water heater.

13. Pry up on metal grommets around large combustion tubes and cut-off with cut-off blade and grinder. Separate tank from combustion pan.

14. Install foam seal around drain valve and thermostat couplings on new tank.

15. Insert tank into combustion pan. Place large gaskets around large combustion tubes, then place metal retainer rings over tubes and

tap down until pressed firmly against back of combustion pan. Place adhesive backed seal around relief valve coupling.

16. Replace all water fittings.

17. Heating elements in COMBINATION GAS/ELECTRIC 6 & 10 MODELS:

SCREW-IN HEATING ELEMENT - 6 & 10 GALLON MODEL

- Disconnect black positive wire out of junction box, white Neutral and green common ground connections.
- Replacement tank is equipped with all 110 VAC components attached.
- Attach black power source wire from junction box, the white neutral and the green ground.

18. Partially insert unit into coach and reconnect the wires as follows:

- orange wire 12 V positive for gas DSI Ignition (+)
- white wire to 12 V positive for 110 V electric (+)
- blue wire non ignition lamp.
- green 12 V negative (-)

finish sliding water heater into coach.

 **CAUTION**
PRODUCT DAMAGE

- 12 volt power must be off while reconnecting wires.
- Do not pinch wires when pushing unit into coach.

Put caulking around flanges and push against coach skin. Replace all screws around flange securing unit to the coach. Fill any gaps around the flanges with caulk to prevent rain water leaks.

19. Reassembly of water heater components. Using pipe compound on all threads carefully screw drain plug and relief valve into tank. Replace flue box, main burner, electrode assembly and circuit board. Replace thermostat and ECO by reversing steps FIG 8-b and 8-c.

20. Reconnect water connections. Make sure inlet and outlet connections are to correct fittings, and are leak proof. If a winterizing bypass kit is utilized, ensure levers are in proper position.

 **WARNING**
DEATH, EXPLOSION, FIRE OR
CARBON MONOXIDE POISONING

- LP gas is extremely flammable. Test all fittings for gas leaks prior to operation.
- DO NOT use matches, candles or other sources of ignition when checking for gas leaks.

21. Hook up gas line connections. Turn on LP gas at bottles and immediately check all gas connections with leak detection solution. If bubbles are detected, turn off gas, retighten all connections and repeat this procedure. Leaks are very dangerous. Double check all connections.

 **CAUTION**
PRODUCT FAILURE

- Do not operate water heater without water in tank.

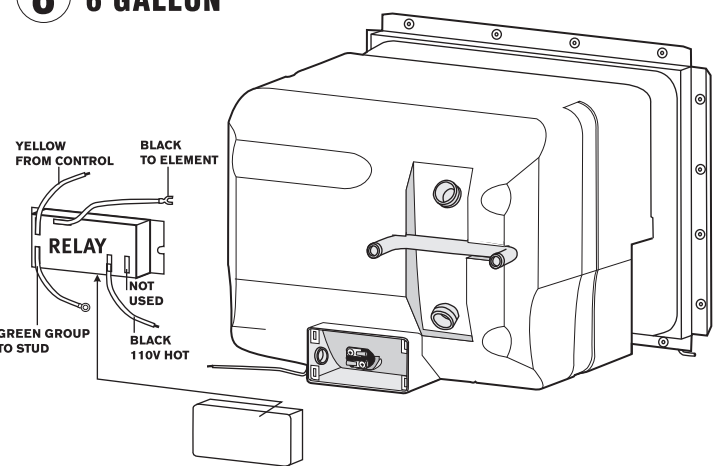
22. Turn on water supply and water pump. Open hot water faucets until a steady stream of water flows.

23. On COMBINATION GAS/ELECTRIC water heater units, reconnect electric power.

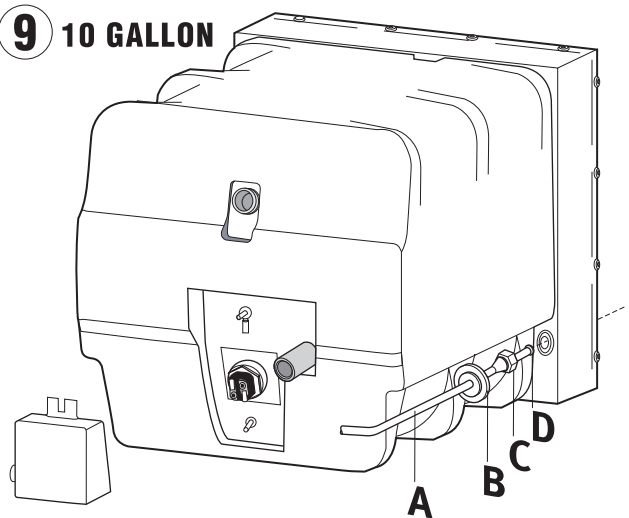
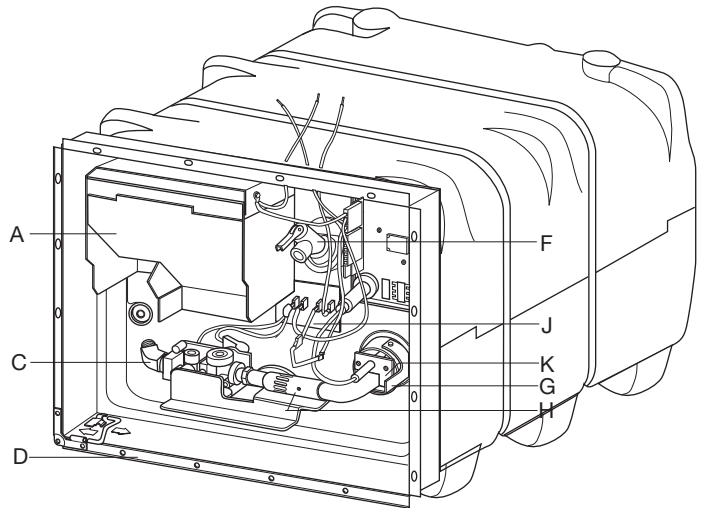
24. Follow instructions in IOM for lighting and operating the water heater.

8 6 GALLON

2 SPARK IGNITION MODEL



9 10 GALLON



Dotted lines are wired by customer

COMBINATION GAS/ELECTRIC

