

# W Series Motor Conversion Kit Installation Instructions

## For Vacuum Pumps and Discharge Pumps



Dometic Corporation, Sanitation Division  
13128 State Rt. 226, P.O. Box 38  
Big Prairie, OH 44611 USA  
1-800-321-9886 • Fax: 330-496-3097  
www.Dometic.com

### REVISION A

Form No. 600344821 9/17  
©2017 Dometic Corporation

### Tools Required

- 5/16-inch socket wrench
- 3/4-inch open or box-end wrench
- Small phillips-head screwdriver

### Removing Old Motor and Bellows



#### WARNING – ELECTRICAL SYSTEM.

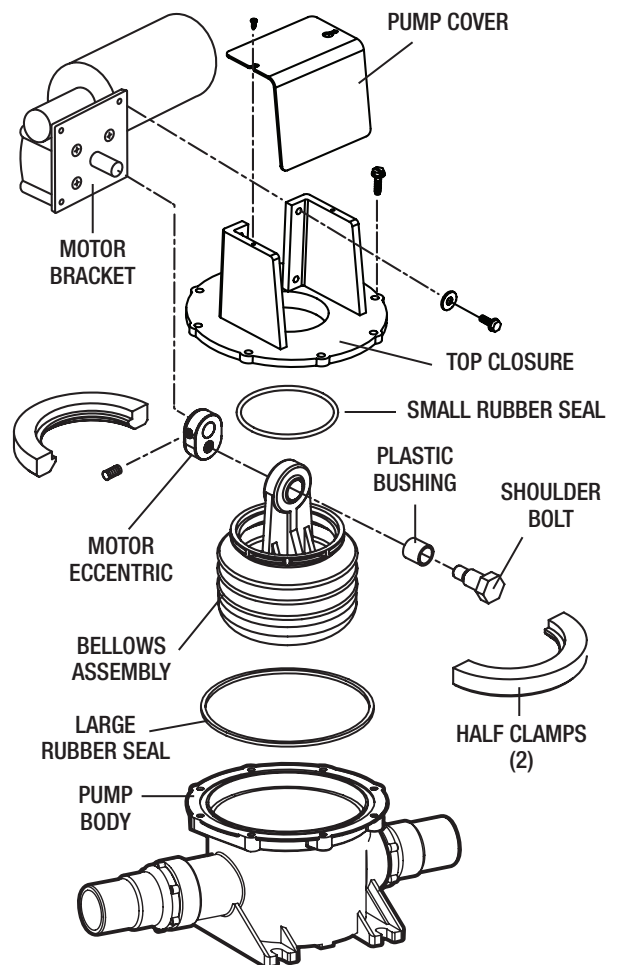
Turn off electrical power before servicing.

1. Flush a large amount of soapy water through pump.
2. Turn off electric power to pump and disconnect motor leads.
3. Remove pump cover (two screws).
4. Remove 3/4-inch hex head shoulder bolt from motor eccentric (through upper arm of bellows assembly).
5. Remove four 5/16-inch hex head screws that secure the motor to the pump.
6. Remove eight 5/16-inch head screws that secure the top closure to the pump body. Lift off top closure.
7. Lift bellows assembly from pump body by inserting screwdriver through upper arm of bellows and pulling up on both ends of screwdriver. The half clamps will come out of pump body with bellows assembly.
8. Remove large rubber seal from top of pump body.

### Installing New Bellows and Motor

1. Insert new large rubber seal into groove on top of pump body, making sure there is no debris in groove.
2. Lubricate new small rubber seal with liquid soap or silicone grease. Place small rubber seal on inside ledge at top of new bellows assembly.
3. Lubricate inside of plastic bushing (in upper arm of new bellows assembly) with silicone grease. Install new shoulder bolt through plastic bushing in bellows assembly.
4. Place half clamps around neck of bellows assembly.
5. Insert bellows assembly and half clamps into pump body. Be sure upper arm of bellows is in line with inlet and outlet fittings of pump. Press bellows and half clamps down into pump body (it may be necessary to tap on clamps with a hammer to get clamps fully seated).
6. Align threaded hole in motor eccentric with 3/4-inch hex head shoulder bolt in bellows assembly. Install and tighten shoulder bolt.
7. Reassemble the pump and motor.
8. Reinstall the pump cover.
9. Connect motor leads to incoming power source and turn on electrical power.

If small rubber seal and large rubber seal are damaged, replace with Dometic Vacuum/Discharge Pump Repair Kit 385310151.



#### WARNING – MOTOR MAY START AUTOMATICALLY.