



**4800 and 4600
Series
VacuFlush®
Toilets
RESIDENTIAL
BATHROOMS**

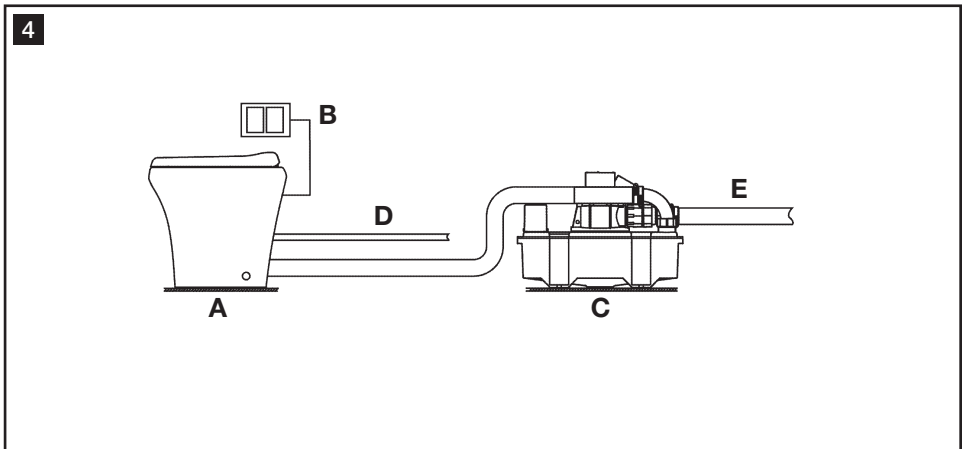
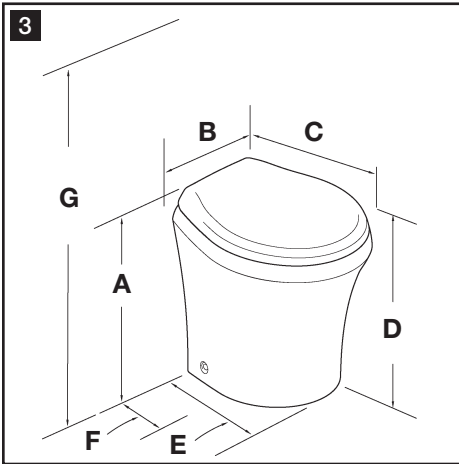
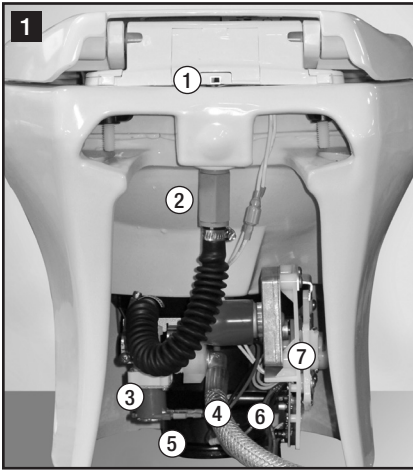


Table of contents

1	Notes on using the manual	3
2	General safety instructions	3
3	Intended use	4
4	Components	4 - 5
5	Specifications	5 - 6
6	Operation	6 - 8
7	Maintenance/service	8 - 15
8	Warranty	16 - 17
9	Customer service	17

1 Notes on using the manual



Caution!

Safety Instruction: Failure to observe this instruction can cause material damage and impair the function of the device.



Note

Supplementary information for operating the device.

fig. **1** 2, page 2 : This refers to an element in an illustration. In this example, item 2 in figure 1 on page 2.

2 General safety instructions

The manufacturer will not be held liable for claims for damage resulting from the following:

- Faulty installation or connection
- Damage to the unit from mechanical influences, misuse or abuse
- Alterations to the unit without express written permission from the manufacturer
- Use for purposes other than those described in this manual

2.1 Warnings

The following statements must be read and understood before installing, servicing and/or operating this product. Modification of this product may result in property damage.

Dometic recommends that a qualified technician or electrician install or service this product. Equipment damage, injury to personnel or death could result from improper installation. DOMETIC ACCEPTS NO RESPONSIBILITY OR LIABILITY FOR DAMAGE TO EQUIPMENT, OR INJURY OR DEATH TO PERSONNEL THAT MAY RESULT FROM IMPROPER INSTALLATION, SERVICE OR OPERATION OF THIS PRODUCT.



Caution!

Before beginning any work on this product, be sure that all electrical power to the unit has been turned off.

3 Intended use

The Dometic VacuFlush Toilet provides an electric-flush toilet that vacuums waste from the bowl and pumps it to a holding tank or other effluent storage/disposal system. Operated by a wall-mounted flush switch, the toilet allows the user to add water to the bowl (before using or flushing) and to flush the toilet by pushing a button. An integrated status panel activates lights to indicate when the toilet is activated, when the toilet is ready to flush, and when the toilet is not ready to flush due to recharging vacuum.

3.1 Benefits

Convenient electronic flush. Add water or flush with the touch of a button.

Choice of two water consumption settings. “Normal” flush uses 0.27 gal (1.02 liter) per flush and adds water to bowl after flush; “Low” flush setting uses only 0.08 (0.3 liter) per flush and does not add water to the bowl – ideal for marine applications when boat is underway.

“OK to Flush” and “Do Not Flush” indicator lights. Green light indicates when proper vacuum is achieved and toilet is ready to flush. Red light indicates when vacuum level is too low for a flush to occur. Vacuum recharges in about one minute after flushing.

Integrated fuse. Toilet circuitry includes built-in resettable fuse. If toilet fuse ever trips, just turn off electrical power to toilet for about 60 seconds, then turn electrical power on.

Automatic “full tank” shut-down. When connected to a holding tank level indication system and the tank reaches full level, the VacuFlush toilet will shut its electrical power off. This safety feature prevents overfilling the holding tank.

Service Mode. Service switch behind toilet seat, when activated, keeps flush ball open for easier toilet cleaning or other service function.

4 Components

4.1 VacuFlush all-ceramic toilet

(fig. **1**, page 2)

Ref.	Description
1	Service mode switch
2	Water supply check valve
3	Electric water valve
4	Water hose
5	Plug-in discharge fitting
6	Circuit board
7	Flush ball motor/drive linkage

Refer to complete parts list (packed separately) for additional information.

(fig. **2**, page 2)

Ref.	Description
A	VacuFlush switch panel (VFS or VFP)
B	VacuFlush status panel (for toilet with flush handle only)

VacuFlush switch panel can be fitted with generic frame or one of several popular Vimar and Gewiss frames.

4.2 Typical VacuFlush toilet system

(fig. 4 , page 2)

Ref.	Description
A	VacuFlush all-ceramic toilet
B	VacuFlush switch/status panel
C	Vacuum generator
D	Water supply line
E	Discharge hose *

* Connects to waste holding tank, composting unit or other waste outlet.

5 Specifications

5.1 Materials

Toilet body: vitreous ceramic

Discharge fitting: polypropylene

Toilet seat: thermoset plastic resin or wood (seats vary according to toilet model)

5.2 Approvals

CE and ROHS compliant components

5.3 Toilet installation specifications

Electrical	Amp draw (average)	2 amps at 12 V DC; 1 amp at 24 V DC
	Fuse	2-amp internal fuse (resettable)
Water Supply	Fitting	0.5 in. NPT
	Flow rate	2.0 gpm/7.6 lpm minimum required at toilet
Discharge	Size	1.5 in./38 mm ID PVC pipe or sanitation hose
	Horizontal run	50 ft./15 m maximum to vacuum source
	Vertical run	6 ft./1.8 m maximum to vacuum source
Required components	Electric flush switch	VFS or VFP model (purchased separately)
	Vacuum source	VacuFlush vacuum generator (purchased separately)

Specifications subject to change without notice.

5.4 Dimensions (fig. 3, page 2) All dimensions may vary ± 0.375 in. / 10 mm

Models 4809, 4848, 4828, 4829

Ref.	Dimension
A	18.125 in. / 460 mm
B	14.75 in. / 375 mm
C	18.625 in. / 473 mm
D	17 in. / 432 mm - seat height
E	15.75 in. / 400 mm
F	8.625 in. / 219 mm - rough-in (4809)
G	33.5 in. / 851 mm - seat lid up

Model 4806, 4826

Ref.	Dimension
A	14.75 in. / 375 mm
B	14.75 in. / 375 mm
C	18.25 in. / 464 mm
D	13.625 in. / 346 mm - seat height
E	14.875 in. / 378 mm
F	8.375 in. / 213 mm - rough-in (4806)
G	30.25 in. / 768 mm - seat lid up

Models 4609, 4648

Ref.	Dimension
A	18 in. / 457 mm
B	14.75 in. / 375 mm
C	19.75 in. / 502 mm
D	17 in. / 432 mm - seat height
E	16 in. / 406 mm
F	10.5 in. / 267 mm - rough-in (4609)
G	33.5 in. / 851 mm - seat lid up

Model 4606

Ref.	Dimension
A	15 in. / 381 mm
B	14.75 in. / 375 mm
C	19.75 in. / 502 mm
D	14 in. / 356 mm - seat height
E	15.375 in. / 391 mm
F	10.375 in. / 264 mm - rough-in (4606)
G	30.5 in. / 775 mm - seat lid up

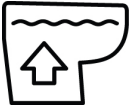
6 Operation

6.1 Toilet system start-up

1. Turn on water supply and electrical power to toilet.
2. Disconnect toilet system discharge hose from waste tank or other treatment device (if attached) and place discharge hose end outdoors or in water receptacle.
3. Flush water through entire toilet system by flushing toilet five times (press Flush switch and allow each flush cycle to complete until green light indicates system is ready for next flush). Each cycle takes about one minute.
4. Re-connect discharge hose to tank or other device. Toilet system is ready for use.

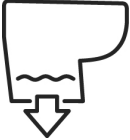
6.2 Normal toilet operation

ADD WATER TO TOILET BOWL



Press “Add Water” switch until desired water level is achieved. More water is usually added only when flushing solids. (If switch is pressed too long, water flow will shut off automatically to avoid overflow.)

FLUSH TOILET



Press “Flush” switch down for a moment, then release it. Flush only when the green “OK to Flush” light is on. Toilet will not flush until the green “OK to Flush” light is on. It takes about one minute for vacuum to recharge for the next flush.

If the red “Do Not Flush” light is on, the system is either recharging the vacuum, or the holding tank is full. Do not attempt to flush the toilet during these conditions, or a clog may occur in the toilet system.

DO NOT FLUSH FOREIGN OBJECTS



CAUTION! Flush only water, bodily wastes and rapid-dissolving tissue paper. Do not flush wet wipes, sanitary napkins, condoms, diapers, razor blades paper cups, cotton swabs food, hair or liquids such as oils or solvents. Clogging or damage to the toilet system may occur.



Note

Make sure all guests understand toilet operation before use.

6.3 Changing flush modes

Dometic VacuFlush all-ceramic toilets offer two flush settings to help manage water consumption:

Normal flush – Uses 0.27 gal (1.02 liter) per flush. Adds water to bowl after every flush.

Low flush – Uses 0.08 gal. (0.3 liter) per flush. Does not add water to bowl after flush.

To change from Normal to Low flush setting, press “Flush” switch for about five seconds. When green “OK to Flush” light on status panel begins flashing, release “Flush” switch. Flush mode has been changed to Low setting. Change mode to Normal flush by following the same procedure.

6.4 Indicator lights

“OK TO FLUSH” INDICATOR



On the VacuFlush status panels, a steady green “OK to Flush” light indicates when the toilet is ready to flush. A momentary flashing green light indicates when flush mode is changing.

“DO NOT FLUSH” INDICATOR



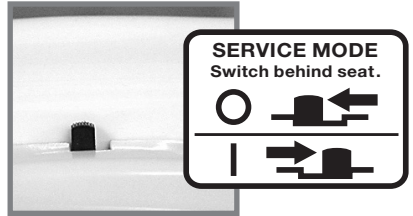
The VacuFlush status panels include a red “Do Not Flush” light to indicate two toilet system conditions:

1. vacuum level in toilet system is not sufficient for complete flush.
2. holding tank is full and should be pumped out. When the red light is on, electrical power to the toilet automatically shuts off to prevent possible overflowing of the holding tank.

6.5 Service mode

To clean the toilet bowl or perform other service that requires keeping the flush ball open without running water, locate the Service Mode switch (fig. 1, page 2) at the back left side of the seat bracket.

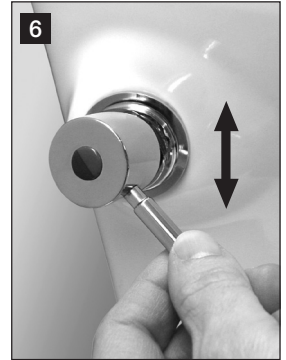
1. Slide the switch to the right. (On some models the Service Switch is a toggle-type that's located on the check valve of the toilet. It can be reached behind the left side of the toilet bowl.)
2. Perform the service operation. To close the flush ball and return to Normal operation, slide the Service Mode switch to the left.



6.6 Bidet operation

Applies to VacuFlush toilet/bidet combination models only.

1. Turn on bidet faucet by turning handle away from toilet (fig. 5).
2. Adjust water temperature by turning handle up for warm water and down for cool water (fig. 6).
3. Use electronic "Flush" switch to clear toilet bowl during and after bidet use.



Caution! Hazard of Flooding
Be sure to shut bidet faucet off completely after use.

7 Maintenance / Service

7.1 Cleaning toilet - non-composting system

To maintain the toilet's original, lustrous appearance, use Dometic® Toilet Bowl Cleaner or other non-abrasive bathroom and toilet bowl cleaners. Please follow label directions.

7.2 Cleaning toilet - composting system

1. Turn off water supply to toilet, then flush to drain water from toilet bowl.
2. With flush ball closed, clean bowl with mild bath cleanser.
3. Rinse and dry bowl, removing all cleanser residue.
4. Turn on water supply to toilet, then push "Add Water" switch to add small amount of water to bowl for next use.



Caution
To avoid damaging the toilet system's seals and valves, do not clean toilet with abrasive cleaners, caustic chemicals, or lubricants and cleaners that contain alcohols or petroleum distillates.

7.3 VacuFlush system maintenance

Maintenance procedures vary widely and depend on factors such as frequency of use, quality of flushing water, etc. The chart provides a general guideline for keeping your toilet system ready for use at any time.

Maintenance procedure	Service interval	Notes
ROUTINE		
Check all clamped hose joints for leaks.	Monthly	—
Check filter screen in water valve.	After first year of service, then as needed if water flow is noticeably slower.	Screen is located inside water valve inlet.
MAJOR SYSTEM MAINTENANCE		
Replace duckbill valves in vacuum generator or vacuum pump.	Every three years	See vacuum generator or vacuum pump parts list for replacement kit part number.
Replace flush ball seal and flush ball (if required).	Every three years	See toilet parts list for replacement kit part number.

7.4 Recommended spare parts

Keep the following spare parts on hand to assure continuous toilet system operation.

Description	Where used
Flush ball seal	VacuFlush toilet. See parts list.
Flush ball	VacuFlush toilet. See parts list.
Electric water valve	VacuFlush toilet. See parts list.
Vacuum switch kit	Vacuum tank or vacuum generator. See parts list.
Duckbill valves	Vacuum tank or vacuum generator. See parts list.

To order spare parts, refer to **Customer Service** section.

7.5 During extended periods of non-use

Toilet system discharge line should be cleared if toilet will not be needed for an extended period of time (more than two weeks).

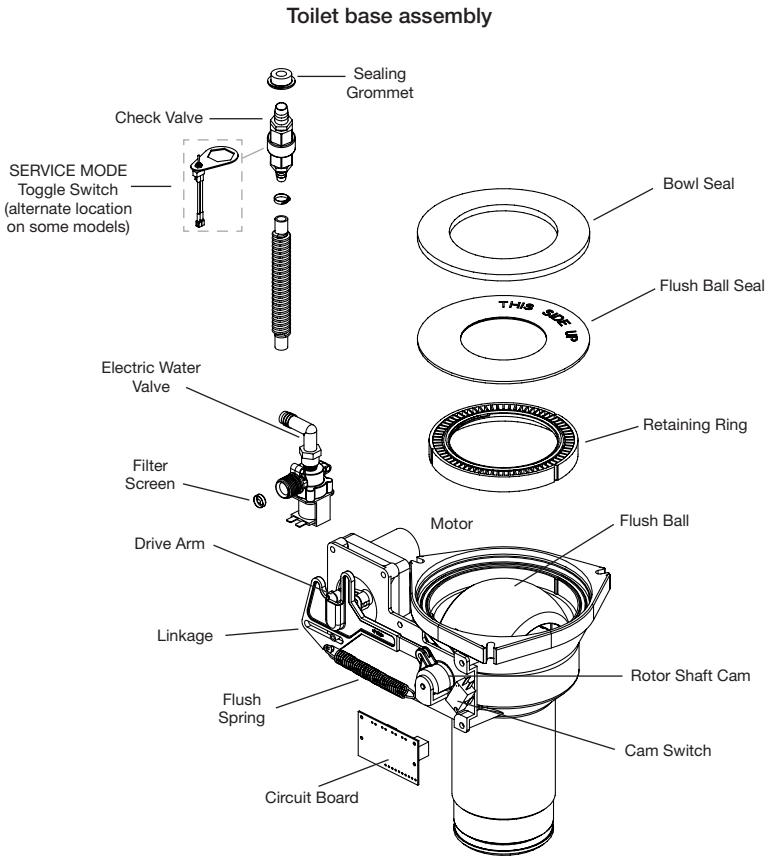
- For toilet that is part of composting system, disconnect discharge hose from composting unit and place hose end outdoors or in large wastewater receptacle.
- For all residential VacuFlush toilets, fill toilet bowl with water and add 4 oz. (120 ml) of liquid biodegradable laundry detergent (should NOT contain bleach).
- Open flush ball in Service Mode (see directions in Section 6.5). Hold the Add Water switch down for about two minutes. Release the Add Water switch and return the Service Mode switch to the Normal position.
- Turn off water supply to toilet.
- Flush the toilet without water, allowing the vacuum pump to shut off after the flush. Repeat three times. (This procedure will minimize any remaining water in discharge line.)
- Turn off power to the vacuum pump.

TURN OFF ELECTRICITY AND WATER TO TOILET IF IDLE FOR LONG PERIODS OF TIME

If people will not be using the toilet for a long time (vacation, maintenance, off-season, etc.), or in the event of a long electrical power interruption, electrical power and water supply to the toilet and vacuum generator should be shut off.

7.6 Clearing blockage in toilet base

1. Turn off water to the toilet.
2. Open the flush ball in Service Mode.
3. Pull the foreign material from the 1-inch diameter orifice at the bottom of the base or, using a small diameter blunt rod, attempt to push the blockage through the orifice.

7.7 Troubleshooting guide

Problem	Possible Cause	Service Instruction
1. Water does not enter bowl and toilet does not flush.	<ul style="list-style-type: none"> a. Toilet fuse or circuit breaker is tripped. b. Loose wire connections. c. Incorrect wiring of toilet to incoming power. d. Defective circuit board. 	<ul style="list-style-type: none"> a. To check toilet fuse, turn off electrical power to toilet, wait 60 seconds, then turn on power to toilet. Check circuit breaker at main distribution panel. b. Check for loose or defective wire at circuit board pins 9 and 10. c. Check for reverse polarity of incoming power. d. Replace circuit board.
2. Water enters toilet bowl, but toilet does not flush.	<ul style="list-style-type: none"> a. "OK to Flush" light is not lit on status panel. b. Electrical failure from flush switch to toilet. c. Flush switch may be defective. d. Loose flush ball motor wires. e. Defective flush ball motor. f. Flush ball motor drive arm failure. g. Drive linkage failure. 	<ul style="list-style-type: none"> a. Check for loose/defective wires between vacuum switch (on vacuum generator) and wire 6 of circuit board. b. Check for loose/defective wires between flush switch and wires 2 and 4 of circuit board. c. Replace if necessary d. Check wires between motor and circuit board wires 17 and 18. e. Replace if necessary. f. See page 15 for replacement instructions. g. See page 15 for replacement instructions.
3. Water does not enter toilet bowl, but toilet flushes.	<ul style="list-style-type: none"> a. Blocked water supply. b. Loose/defective wires. c. Defective water valve. d. Defective circuit board. 	<ul style="list-style-type: none"> a. Clear blockage in water line or filter screen at water valve inlet. b. Check wires between water valve and toilet circuit board wires 15 and 16. c. Replace water valve. d. Replace circuit board.
4. Water does not enter toilet when pressing "Add Water" switch.	<ul style="list-style-type: none"> a. Electrical failure. b. Defective flush switch. 	<ul style="list-style-type: none"> a. Check wires between "Add Water" switch and circuit board wires 1 and 4. b. Replace flush switch.
5. Water does not shut off and toilet bowl overflows.	<ul style="list-style-type: none"> a. Debris inside water valve or defective water valve. 	<ul style="list-style-type: none"> a. Replace water valve.
6. Flush ball opens slowly.	<ul style="list-style-type: none"> a. Excessive drag between flush ball and seal. b. Defective spring assembly. c. Electrical short circuit. d. Cam switch needs adjusted to align flush ball. e. Defective cam switch. f. Defective drive linkage. 	<ul style="list-style-type: none"> a. Clean surface of flush ball and under edge of seal. Lubricate with alcohol-free cooking spray. b. Replace spring. c. Check wires between "Flush" switch and circuit board wires 2 and 4. d. See page 13 for adjustment instructions. e. Replace cam switch. See page 13 for instructions. f. Replace drive linkage. See page 15 for instructions.

Problem	Possible Cause	Service Instruction
7. Flush switch must be held in "Flush" position to close flush ball.	<ul style="list-style-type: none"> a. Service Mode switch is in "Service" position. b. Loose/defective wires. c. Defective cam switch. 	<ul style="list-style-type: none"> a. Return Service Mode switch to "Normal" position. b. Check wires between cam switch and circuit board wires 11 and 12. c. Replace cam switch. See page 13 for instructions.
8. Flush ball does not close completely.	<ul style="list-style-type: none"> a. Cam switch needs adjustment/flush ball alignment or replacement. b. Rotor shaft cam is loose or defective. 	<ul style="list-style-type: none"> a. See adjustment/alignment or replacement details on page 13. b. See replacement instructions on page 15.
9. Flush ball does not open completely.	<ul style="list-style-type: none"> a. Rotor shaft cam is loose or defective. b. Weak or defective spring assembly. c. Excessive drag between flush ball and seal. 	<ul style="list-style-type: none"> a. See instructions for repair or replacement on page 15. b. Replace spring. c. Clean surface of flush ball and under edge of seal. Lubricate with alcohol-free cooking spray.
10. Squeaky noise occurs during flush cycle.	<ul style="list-style-type: none"> a. Lubrication needed between flush ball and seal. b. Lubrication needed between drive arm/linkage joint. 	<ul style="list-style-type: none"> a. Lubricate with alcohol-free cooking spray. b. Lubricate joint with silicone grease.
11. Water does not stay in toilet bowl (leaks between flush ball and seal).	<ul style="list-style-type: none"> a. Flush ball seal is worn and needs replaced. b. Flush ball is scratched or worn and needs replaced. c. Cam switch/flush ball alignment needs adjustment. d. Bolts that hold base to toilet need tightened to 20-25 in.-lbs. 	<ul style="list-style-type: none"> a. See instructions on page 14 for replacement. b. See instructions on page 14 for replacement. c. See instructions on page 13 for adjustment. d. DO NOT OVERTIGHTEN or damage to toilet may occur.
12. Toilet flushes in both "Add Water" and "Flush" positions.	<ul style="list-style-type: none"> a. Defective circuit board. 	<ul style="list-style-type: none"> a. Replace circuit board.
13. Water leaks from toilet onto floor.	<ul style="list-style-type: none"> a. Loose water line connection. b. Defective water valve. c. Toilet bowl seal is defective. d. Mounting bolts holding base to toilet need tightened to 20-25 in.-lbs. 	<ul style="list-style-type: none"> a. Tighten water line connections. b. Replace water valve. c. Replace bowl seal. See instructions on page 14. d. DO NOT OVERTIGHTEN or damage to toilet may occur.
14. Green "OK to Flush" light does not illuminate.	<ul style="list-style-type: none"> a. Loose wire at circuit board. b. Loose wire at "Flush" switch. c. Loose or defective wire between vacuum switch and toilet. d. Defective green light. 	<ul style="list-style-type: none"> a. Check wires 3 and 6 of circuit board. b. Check green wire at "Flush" switch. c. Repair or replace wires. d. Replace status panel.

Problem	Possible Cause	Service Instruction
15. Red "Do Not Flush" light does not illuminate.	a. Loose wire at circuit board. b. Loose wire at "Flush" switch. c. Loose or defective wire between vacuum switch and toilet. d. Loose or defective wire between "Full Tank" relay and toilet circuit board pin 8. e. Defective red light.	a. Check wires 5 and 7 of circuit board. b. Check red wire at "Flush" switch. c. Repair or replace wires. d. Repair or replace wire. e. Replace status panel.
16. Flush ball opens and closes, but waste does not leave bowl (no vacuum).	a. No electrical power to vacuum pump. b. "Full Tank" shut-down relay prevents vacuum pump from operating. c. Blockage inside bottom of toilet base.	a. Check power wires, fuse or circuit breaker to vacuum pump. b. Pump out holding tank. c. See instructions to clear blockage (page 10).

7.9 Servicing toilet base components

ALIGNING CAM SWITCH/FLUSH BALL

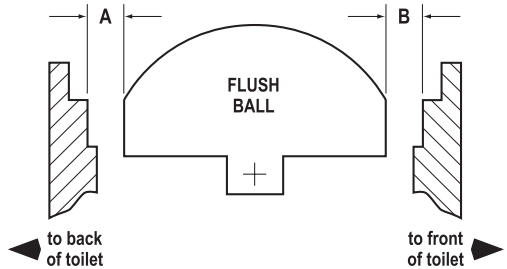
The flush ball should be properly positioned so that the "A" and "B" distances are equal (see illustration at right). If the flush ball becomes misaligned (resulting in water leaking from bowl or other flushing problems), follow instructions below to resolve problem.

REMOVING TOILET FROM FLOOR

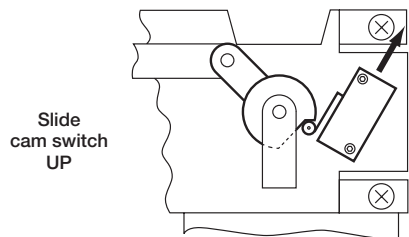
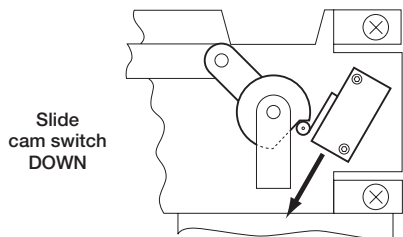
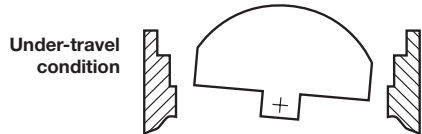
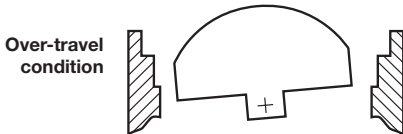
1. Turn off water and electrical power to toilet.
2. Remove water inlet hose from toilet.
3. Remove toilet from floor and turn it upside down. **MAKE SURE POWER WIRES REMAIN SECURE.**

TO CORRECT PROBLEMS 6b, 9a and 12c:

4. Loosen cam switch mounting screws with 3/32-inch hex tool and 1/4-inch box-end wrench. Slide cam switch up or down (see illustrations below) depending on flush ball position.



5. Tighten cam switch mounting screws, apply electrical power and check adjustment. Repeat as necessary.
6. After cam switch and flush ball are properly positioned, connect water line and reinstall toilet.



REPLACING THE FLUSH BALL SEAL

1. Turn off water and electrical power to toilet.
2. Remove water inlet hose from toilet.
3. Remove toilet from floor and turn it upside down. Disconnect Service Switch wires at in-line connectors.
4. Remove three nuts and flat washers securing base assembly to toilet bowl using a 1/4-inch drive ratchet wrench, 7/16-inch deep-well socket and extension.
5. Pull check valve out of the sealing grommet located in rear of toilet bowl.
6. Lift base assembly from toilet.
7. Replace old seals with a complete seal kit.
8. Reconnect base assembly to toilet with new mounting bolts (L-shaped) included with seal kit. Tighten nuts to 20-25 in.-lbs. torque.
9. Reconnect Service Switch wires. Reattach water inlet hose to toilet.
10. Reinstall toilet to floor.

REPLACING THE FLUSH BALL

1. Turn off water to toilet.
2. Open flush ball in Service Mode, then turn off power to toilet.
3. Disconnect water inlet hose.
4. Remove toilet from floor and turn upside down, and disconnect Service Switch wires at in-line connectors.
5. Pull check valve out of sealing grommet located in rear of toilet bowl.
6. Remove three nuts and flat washers securing base assembly to ceramic toilet bowl using a 1/4-inch drive ratchet wrench, 7/16-inch deep-well socket and extension.
7. Lift base assembly from toilet.
8. Remove bowl seal, flush ball seal, and retainer plate to expose flush ball.
9. Loosen set screw in the rotor shaft cam using a 1/8-inch hex tool.
10. Remove the #8 x 1/4-inch long screw and flat washer from linkage slot.
11. Remove the four screws securing the mounting bracket to base.
12. Pull mounting bracket and rotor cam off base.
13. Rotate flush ball forward and remove flush ball retaining screw.
14. Replace flush ball and reverse disassembly through step 10.
15. Push rotor cam all the way onto rotor shaft. Tighten set screw.
16. Lubricate moving parts with silicone grease.
17. Before reassembling entire toilet, the cam switch may require adjustment. See "Aligning The Cam Switch" on page 13.

REPLACING THE ROTOR SHAFT

1. Follow disassembly steps 1 through 14 under "Replacing the Flush Ball".
2. Pull rotor shaft out from inside of the base.
3. Lubricate O-rings on new shaft with silicone grease.
4. Align flat section on rotor shaft with flat section in cam during assembly. Push rotor shaft cam fully onto rotor shaft. Tighten set screw.
5. Lubricate moving parts with silicone grease.
6. Reverse the disassembly procedure.
7. Before attaching base to toilet, the cam switch may require adjustment. See "Aligning The Cam Switch" on page 13.

REPLACING THE ROTOR SHAFT CAM

1. Follow disassembly steps 1 through 14 under "Replacing the Flush Ball".
2. Remove linkage pin clip and pin.
3. Attach new rotor shaft cam to linkage using pin and clip.
4. Lubricate moving parts with silicone grease.
5. Reverse the disassembly procedure.
6. Before attaching base to toilet, the cam switch may require adjustment. See "Aligning The Cam Switch" on page 13.

REPLACING THE MOTOR DRIVE ARM

1. Follow disassembly steps 1 through 11 under "Replacing the Flush Ball".
2. Remove the four motor mounting screws.
3. Remove the motor from the mounting bracket.
4. Loosen the Drive Arm set screw using a 3/32-inch hex tool, then remove old Drive Arm.
5. Install new Drive Arm and push onto motor shaft as far as possible. Tighten the set screw.
6. Lubricate moving parts with silicone grease.
7. Reverse disassembly procedure.
8. Before attaching base to toilet, the cam switch may require adjustment. See "Aligning The Cam Switch" on page 13.

REPLACING THE DRIVE LINKAGE

1. Follow disassembly steps 1 through 13 under "Replacing The Flush Ball".
2. Remove linkage pin clip and pin at rotor shaft cam.
3. Remove the flush spring retaining screw and washer from the retaining post.
4. Remove the flush spring from the old linkage.
5. Insert the flush spring into the new linkage and reattach the spring to the retaining post.
6. Attach linkage to rotor shaft cam using pin and clip.
7. Lubricate moving parts with silicone grease.
8. Reverse the disassembly procedure.

8 Warranty and product liability

North America and Rest of the World:

Manufacturer's One-Year and Five-Year Limited Warranty

Dometic Corporation, Sanitation Division warrants to the original purchaser only that this product, if used for personal, family or household purposes, is free from defects in material and workmanship for a period of one year from the date of purchase.

If this product is placed in commercial or business use, it will be warranted to the original purchaser only to be free of defects in material and workmanship for a period of ninety (90) days from the date of purchase.

Dometic reserves the right to replace or repair any part of this product that proves, upon inspection by Dometic, to be defective in material or workmanship. All labor and transportation costs or charges incidental to warranty service are to be borne by the purchaser-user.

EXCLUSIONS

IN NO EVENT SHALL DOMETIC BE LIABLE FOR INCIDENTAL OR CONSEQUENTIAL DAMAGES, FOR DAMAGES RESULTING FROM IMPROPER INSTALLATION, OR FOR DAMAGES CAUSED BY NEGLIGENCE, ABUSE, ALTERATION OR USE OF UNAUTHORIZED COMPONENTS. ALL IMPLIED WARRANTIES, INCLUDING ANY IMPLIED WARRANTY OF MERCHANTABILITY OR FITNESS FOR ANY PARTICULAR PURPOSE, ARE LIMITED TO A PERIOD OF ONE YEAR FROM DATE OF PURCHASE.

IMPLIED WARRANTIES

No person is authorized to change, add to, or create any warranty or obligation other than that set forth herein. Implied warranties, including those of merchantability and fitness for a particular purpose, are limited to one (1) year from the date of purchase for products used for personal, family or household purposes, and ninety (90) days from the date of purchase for products placed in commercial or business use.

OTHER RIGHTS

Some states do not allow limitations on the duration of an implied warranty and some states do not allow exclusions or limitations regarding incidental or consequential damages; so, the above limitations may not apply to you. This warranty gives you specific legal rights, and you may have other rights which vary from state to state.

To obtain warranty service, first contact your local dealer from whom you purchased this product or go to <http://www.dometic.com> for a dealer near you.

Europe:**Warranty and Customer Service**

Warranty arrangements are in accordance with EC Directive 44/1999/CE and the normal conditions applicable for the country concerned. For warranty or other service, please contact our Customer Service department. Any damage due to improper use is not covered by the warranty.

The warranty does not cover any modifications to the product or the use of non-original Dometic parts; the warranty does not apply if the installation and operating instructions are not adhered to and no liability shall be entertained.

Product Liability

Product liability of Dometic Corporation and its subsidiary companies does not include damages which may arise from: faulty operation; improper alterations or intervention in the equipment; adverse effects from the environment which may impact the equipment itself or the direct vicinity of the equipment or persons in the area.

To obtain warranty service, first contact your local dealer from whom you purchased this product or go to <http://www.dometic.com> for a dealer near you.

9 Customer service

There is a strong, worldwide network to assist in servicing and maintaining your toilet system. For the Authorized Service Center near you, please call from 8:00 a.m. to 4:30 p.m. (ET) Monday through Friday.

You may also contact or have your local dealer contact the Parts Distributor nearest you for quick response to your replacement parts needs. They carry a complete inventory for the Dometic sanitation product line.

Telephone:	1 800-321-9886	U.S.A. and Canada
	330-439-5550	International
Fax:	330-496-3097	U.S.A. and Canada
	330-439-5567	International
Web site:	http://www.Dometic.com	

Dometic is a customer-driven, world-leading provider of leisure products for the RV, automotive, truck and marine markets. We supply the industry and aftermarket with a complete range of air conditioners, refrigerators, awnings, cookers, sanitation systems, lighting, mobile power equipment, comfort and safety solutions, windows, doors and other equipment that make life more comfortable away from home.

Dometic supplies a wide range of workshop equipment for service and maintenance of built-in air conditioners. Dometic also provides specially designed refrigerators for hotel rooms, offices, wine storage and transport and storage of medical products.

Our products are sold in almost 100 countries and are produced mainly in wholly-owned production facilities around the world.



Dometic Corporation, Sanitation Division
13128 State Rt. 226, P.O. Box 38
Big Prairie, OH 44611 USA
1-800-321-9886 • Fax: 330-496-3097
www.Dometic.com