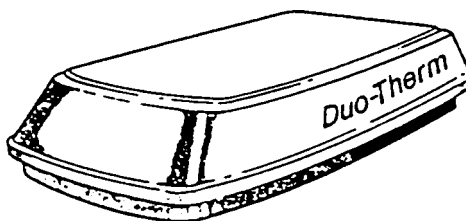


When ordering spare parts always state:
 Model - Quantity - Part Number - Description
 For electric details also:
 Voltage - Wattage

ROOF MOUNTED R.V. AIR CONDITIONER 115VAC/60 hz.



USA
 SERVICE OFFICE
 The Dometic Corp.
 509 so. Poplar St.
 LaGrange, IN 46761

CANADA
 Dometic Dist.
 866 Langs Dr.
 Cambridge, Ontario
 CANADA N3H 2N7

QUICK START		ELECTRONIC CONTROL - SHUR START			
6003 Series		6100 Series		6101 Series Wall T-Stat	
Model	Prod. No.	Model	Prod. No.	Model	Prod. No.
600312.304	991720551	610015.305	991721371	610115.305	991721541
600312.304C	991720551	610015.305B	991721371	610115.3058	991721541
600312.3040	991720551	610015.305C	991721371	610115.305C	991721541
600315.304	991720661	61 0015.305D	991721371	610115.3050	991721541
600315.304C	991720661				
300615.304D	991720661				

PARTS LIST

MODEL

6003 Series
 6100 Series
 6101 Series

WARNING

This unit must be serviced by an authorized serviceman. Modification of this appliance can be extremely hazardous and could lead to serious injury or death.

ALPHABETICAL INDEX

MODELS

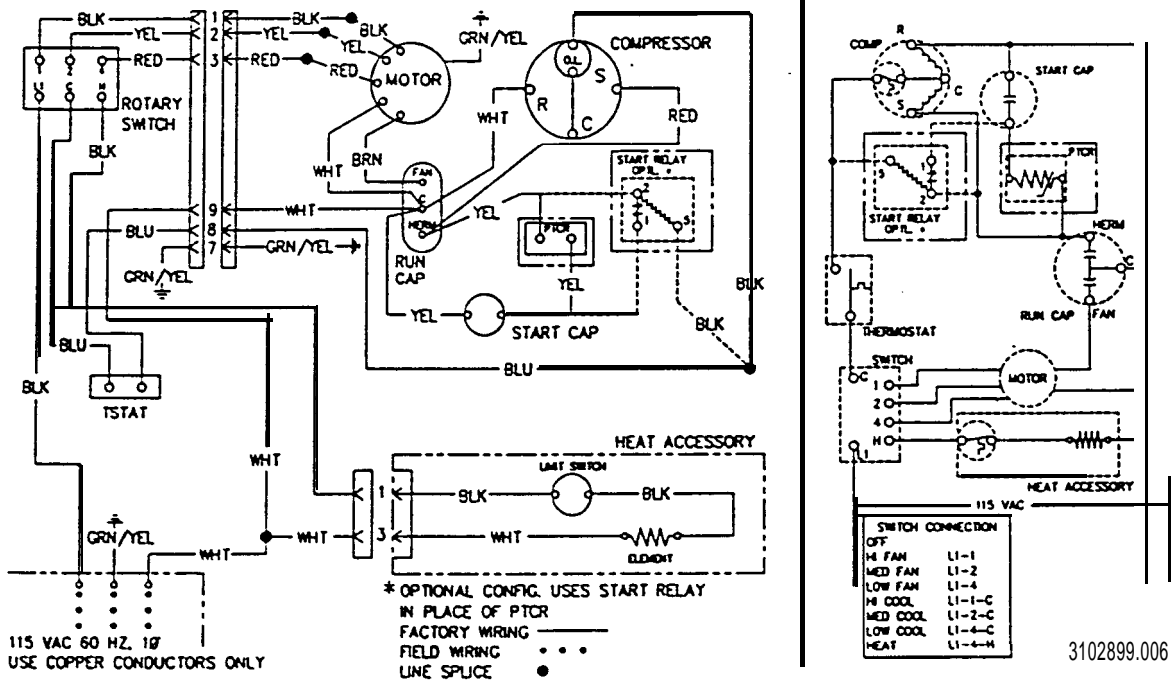
	600315.304	600312.304	610015.305*	610115.305**
	Page	Index #	Page	Index #
Air Box	7	18	9	12
Capillary Tube	5	10	5	10
Capacitor				
Run/Fan	5	38	5	38
start	5	57	5	57
Compressor	5	7	5	7
Decal				
Air Box	7	22/23	9	16/17
Shroud	5	1	5	1
Drier	5	12	5	12
Electric Heat Kit	10	1-8	10	1-8
Filter, air	7	20	9	14
Gasket	5	30,45-47	5	30,45-47
Louver	7	19	8	13
Motor	5	56	5	56
Overload	5	8	5	8
PTCR Device	5	37	5	37
Shroud	5	3	5	3
Thermostat	7	16	9	19-22
Wheel				
Condenser	5	48	5	48
Evaporator	5	25	5	25
Wiring Diagrams	3	---	3	--

SPECIFICATIONS

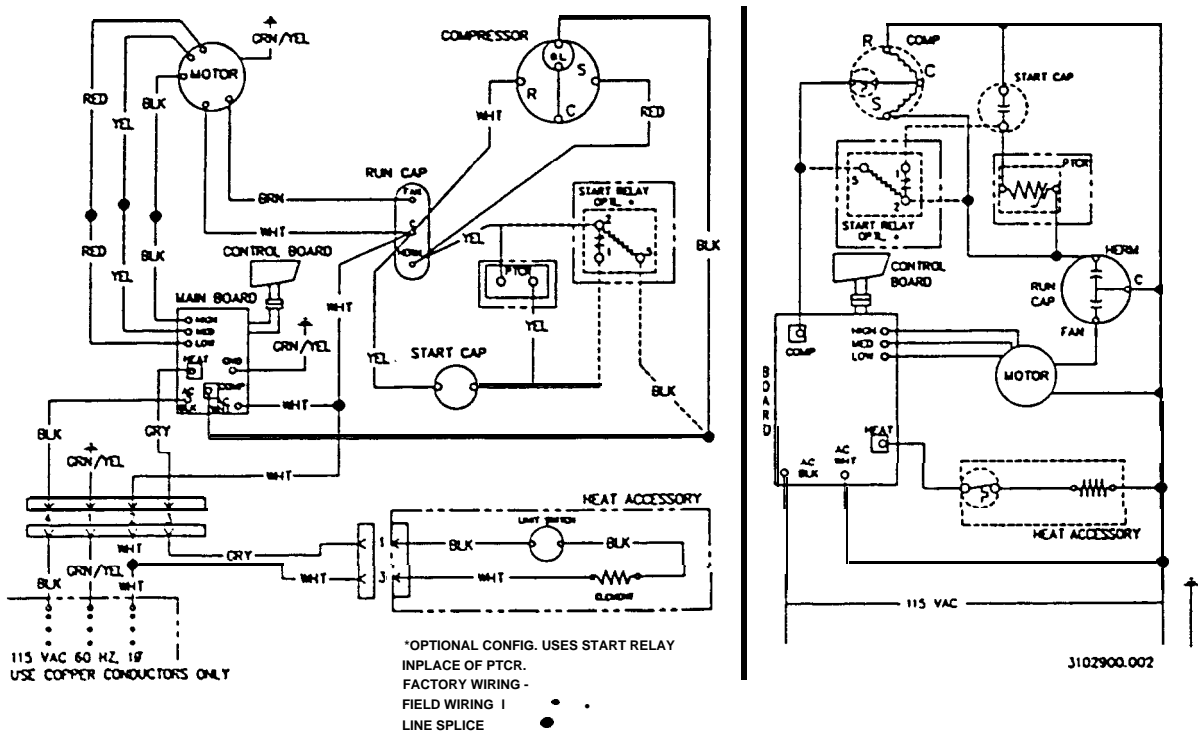
MODEL NO.	600312.304	600315.304	610015.305	610115.305
Nominal Capacity (BTU/HR)	11,000	13,500	13,500	13,500
Electrical Rating	115 VAC, 60 Hz., 1 ph.			
Compressor Rated Load Amps	9.5	12.4	12.4	12.4
Fan Motor Rated Load Amps	3.1	3.1	3.1	3.1
Compressor Locked Rotor Amps	53.0	60.0	60.0	60.0
Fan Motor Locked Rotor Amps	8.8	8.8	8.8	8.8
Heater Amps @ 120VAC	12.7	12.7	12.7	12.7
Power, Cooling (kw)	1.4	1.7	1.7	1.7
Power, Heating (kw)	1.6	1.6	1.6	1.6
Refrigerant	16.5	15.5	15.5	15.5
Minimum Wire Size ***	12 AWG Copper Up to 24 ft.			
Circuit Protection	20 Amp Time Delay Fuse or HACR Circuit Breaker			
Installed Weight (Pounds)	108	108	108	108
Roof Thickness	1' to 6'	1' to 6'	1' to 6'	1' to 6'
Minimum Generator	1 Unit	2.5 KW	3.5KW	3.5KW
Size **	2 Units	4.0 KW	5.0 KW	5.0KW

WIRING DIAGRAMS

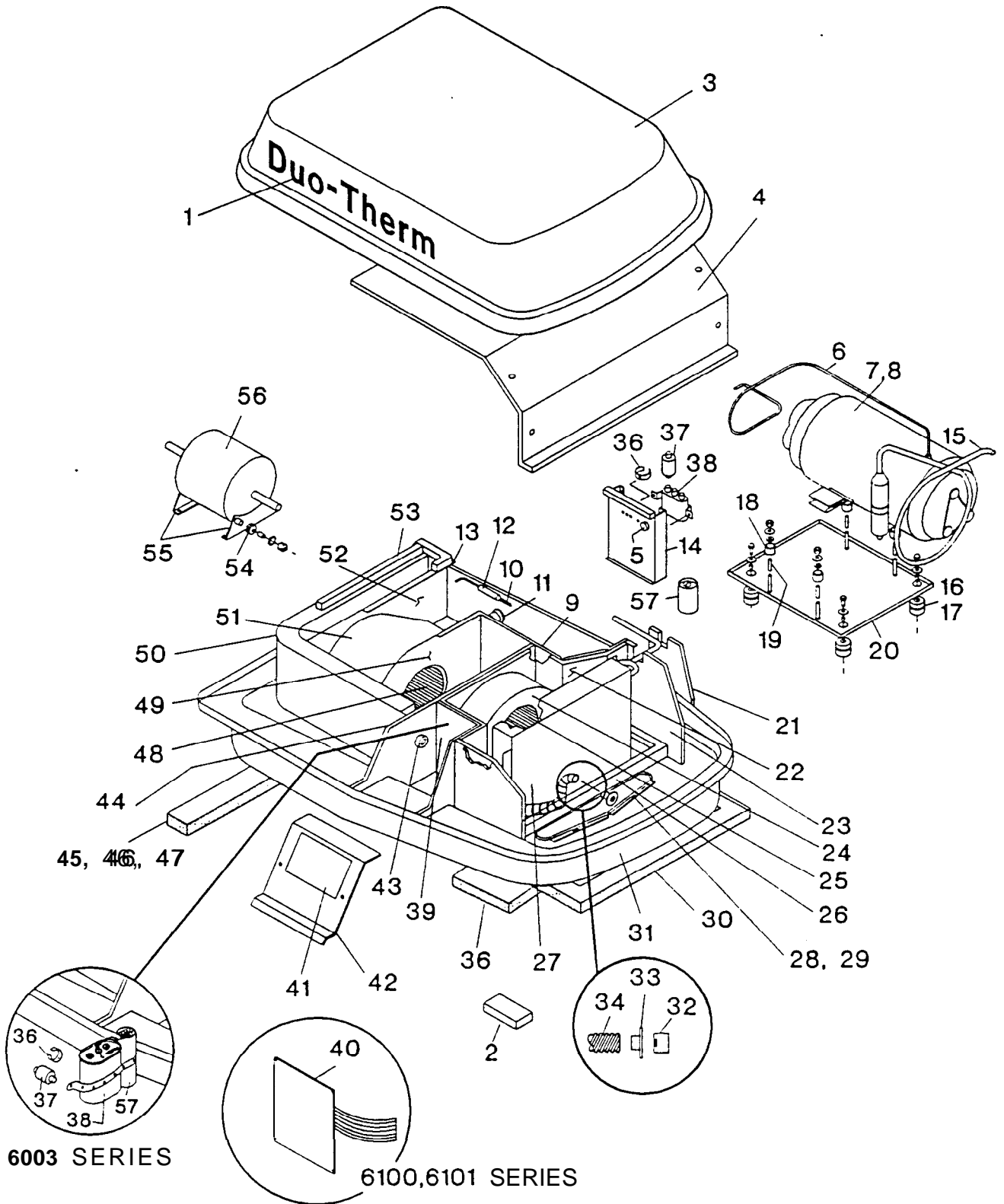
MODELS 600312304 AND 600315.304



MODELS 610015.305 AND 610115.305



ROOF MOUNTED ASSEMBLY
 600312.304 610015.305* 610115.305*
 600315.304



ROOF MOUNTED ASSEMBLY

INDEX NO.	DESCRIPTION	600315.304 610015.305* 610115.30**	600312304
1	Decal. 2 req./use (1) each side	3102888.009	3102888.009
2	Foam block. 2 req.	31 00587.009	3100587.009
3	Shroud, less decals	SeeNOTE	See NOTE 1
4	Cover asm., Evapw/insulation	3102514.803	3102514.803
5	Strain relief	301028.025	301028.025
6	Line, discharge	3102985003	3162965.003
7	Compressor asm. w/overload		
	Rotary (Sanyo 806-090-42) 13500 BTU	3103426.007	-----
	Rotary (Sanyo 806-838-42T) 11000 BTU	-----	31 03402.024
8	Overload	31 00250.228	3100250.210
9	Bulkhead. compressor	3102511.015	3102511.015
10	Capillary tubes, 2 req.	3100245.418	3100245.392
11	Bushing, snap-in	301028.041	301028.041
12	Drier	3100862.006	3100862.006
13	Plate, close-off	3100256.001	3100256.001
14	Panel, capacitor (*, **)	3101627.028	-----
15	Line. suction	3102986.001	3102986.001
16	Grommet, mtg. plate. 4 req.	3102324.005	3102324.005
17	Sleeve, mtg. plate, 4 req.	3100239.080	3100239.080
18	Grommet. compressor, 4 req.	3100238.181	31W238.181
19	Sleeve, compressor, 4 req.	3100239.114	31W239.114
20	Plate, compressor mtg.	3102987.009	3102987.009
21	Insultion, evap. close-off (split and use (1) each side	3102527.003	310257.003
22	Insulation. evap. bulkhead	3102516.006	3102516.006
23	Plate. evap. close-off (split and use (1) each side	3102512.005	310251.005
24	Blower housing, evap.	3100300.007	3100300.007
25	Wheel, evap.	3100385.008	3100385.008
26	Pen, drain (need foam tape)	31025513.003	3102513.003
27	Coil, evap.	3102533.001	3102677.006
28	Nut w/clip. 3 req.	3100280.019	3100280.019
29	Bracket, less nut	3100297.005	31 00297.005
30	Gasket, mounting, 14" x 14"	3100247.000	31 00247.000
31	Base,pan	3103179.002	3103179.002
32	Plug, male, 9-pole	314470.003	314470.003
	Plug, male, 4-pole (*, **)	314470.005	-----
33	Anti-short device	307760.002	307760.002
34	Conduit	3100838.006	3100838.006
35	insulation, bottom blower housing	3100294.002	3100294.002
36	Bracket, PTCR device	31 00877.004	3100877.004
37	PTCR device	3100878.002	3100878.002
38	Capacitor, fan/run	3100248.073	3100248.362
39	Bulkhead, elec. ^{box}	3102532.029	3102532.029
40	Board, main (*, **)	3101626.004	-----
41	Decal, field wiring	SeeNOTE	See NOTE 2
42	Cover, electric box	3102510.009	3102510.009
43	Strain relief	302994.014	302994.014
44	Bulkhead, evap.	3100254.022	3100254.022
45	Gasket 16" x 1.5"	3100286.016	3100286.016
46	Gasket 16" x 1.5" (not shown)	316462.000	316462.000
47	Gasket 10" x 1.5"	3100286.032	3100286.032
48	Wheel. condenser	3100386.006	3100386.006
49	Blower, side/front	31 00259.005	31 00259.005
50	Coil. condenser	3101467.003	3101467.003
51	Blower, scroll	3100260.003	3100260.003
52	Blower, side/rear	3100261 .001	3100261.001
53	Tape, foam 1 -1/4" x 3/4" x 72' Order by inches	3102669.003	3102669.003
	Tape, foam 1-1/4"x1-1/4"x34"	3102669.011	3102669.011
54	Grommet. motor, 4 req.	3100230.022	3100230.022
55	Bracket, motor, 2 req.	31 00258.007	3100258.007
56	MOTOR	3100991 .003	3100991 .003
57	Capacitor. start	3100236219	3100236.219

NOTE 1:

All models ending with .304 or .305, use Shroud 3102515.008 (Shell White).

All models ending with a *B* suffix, use Shroud 3102515.016 (Dark Gray).

All models ending with a *C* suffix, use Shroud 3102515.024 (White).

All models ending with a *D* suffix, use Shroud 3102515.032 (Light Gray).

NOTE 2:

Models 610015.305 and 610115.305 use wiring decal 3102900.002.

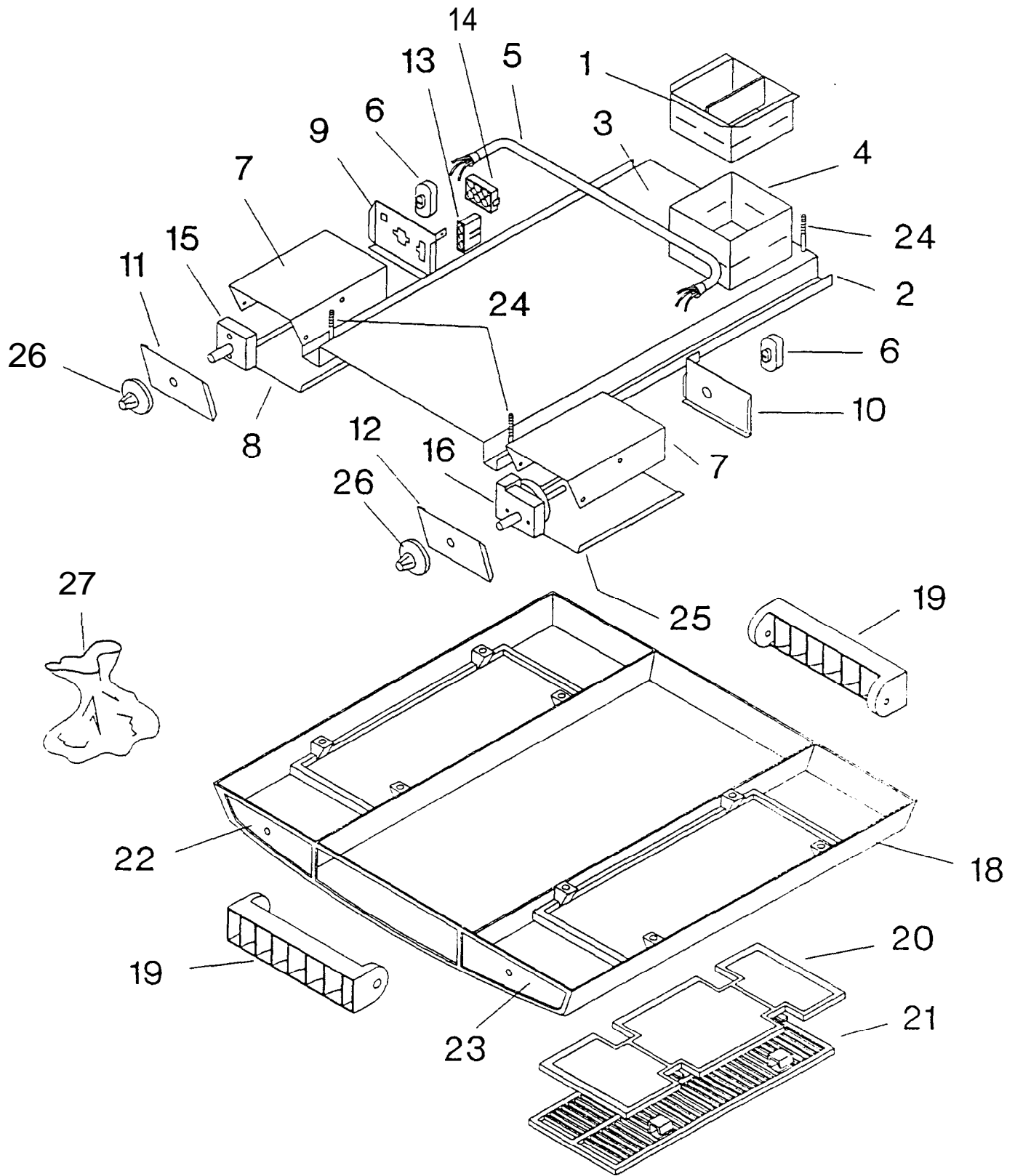
Models 600312.304 and 600315.304 use wiring decal 3102899.006.

* Models with Electronic Controls on a wall thermostat.

** Models with Electronic in the air box.

INSTALLATION PARTS PACKAGE

MODELS 600312.304 AND 600315.304

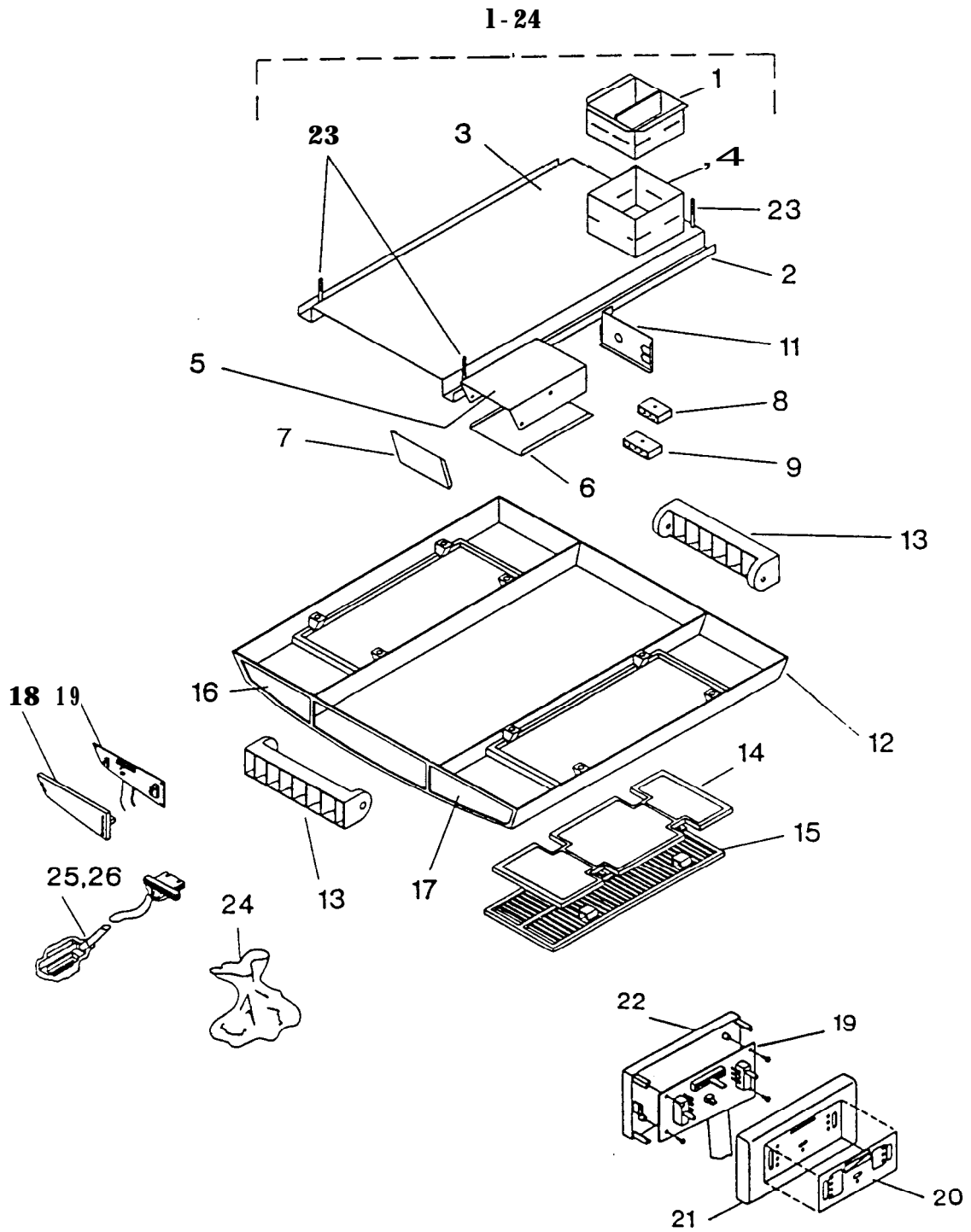


MODEL SERIES 600312.304 AND 600315.304

Index No.	Description	600312.304 600315.304
1-27	Complete parts package asm.	3 1 8 5 4 2 . 0 1 2
1	Discharge duct, upper	3100262.017
2-17	Complete ceiling template	318716.800
2	Ceiling template	3100265.010
3	Insulation	3100287.006
4	Discharge duct, lower	3100342.009
5	Conduit	318522.000
6	Strain relief, 2 req.	302994.001
7	Junction box	3100275.001
8	Cover, box	3100278.013
9	Box back, LH	3100299.001
10	Box back, RH	3100279.003
11	Box front, LH	3100276.009
12	Box front, RH	3100277.031
13	Plug, female 3-pole	314471.000
14	Plug, female 9-pole	314471.003
15	Selector switch, 8-position	20250.000
16	Thermostat	3100781.008
17	Wiring decal (not shown)	3102899.006
18-23	Complete air box	3101390.007
18	Air box only	N/A
19	Louver, 2 req.	3100289.002
20	Air filter, 2 req.	3100281.009
21	Return air grill	3100270.002
22	Decal, left side switch	3101392.003
23	Decal, right side switch	3101391.005
24	Mounting bolt, 3 req.	3100375.025
25	Cover, junction box	3100278.013
26	Knob, selector switch, thermostat	3100290.000
27	Parts bag, small	3101582.009

INSTALLATION PARTS PACKAGE

MODELS 610015.305* AND 610115.305**



INSTALLATION PARTS PACKAGE

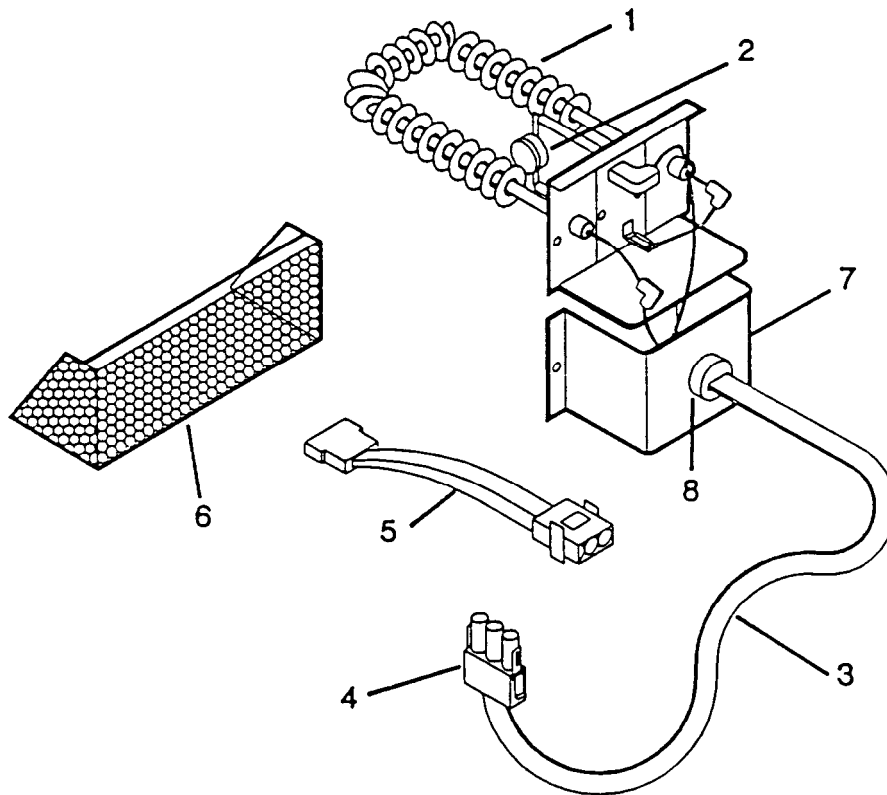
Index No.	Description	610015.305*	610115.305**
1 - 24	Box asm., complete	318542.015	318542.016
2- 11	Ceiling template	318681.801	318681.801
2	Ceiling template (less insulation)	3100265.010	3100265.010
3	Insulation	3100287.006	3100287.006
4	Duct, discharge, lower	3100342.009	3100342.009
5	Junction box	3100275.001	3100275.001
6	Cover, junction box	3100278.013	3100278.013
7	Box, front	3100277.015	3100277.015
a	Plug, female, 3-pole	314471.000	314471.000
9	Plug, female, (4-pole	314471.004	314471.004
10	Decal, wiring (not shown)	3102900.002	3102900.002
11	Box, back	318704.000	318704.000
12-18	Air box asm., complete	3101390.031	3101390.023
12	Air box only	N/A	N/A
13	Louver, 2 req.	3100289.002	3100289.002
14	Air filter, 2 req.	3100281.009	3100281.009
15	Return Air grill, 2 req.	3100270.002	3100270.002
16	Decal, left side	3102334.004	3101395.006
17	Decal, right side	3101393.001	3101394.006
18	Mounting, control board	3102331.000
19-22	Thermostat, complete	_____	See NOTE 3
19	Board, control	3101625.006	3101625.006
20	Decal, thermostat	31 01838.005
21	Cover, thermostat	_____	3101620.007
22	Base, thermostat	3101621.005
23	Bolt, mounting, 3 req.	3100375.025	3100375.025
24	Bag, small parts	3101582.009	3101582.009
25	Cable, control		
	15 ft. w/male plug one end, female other	_____	3101632.010
	15 ft. w/female connector ea. end (Includes Index 8 26)	3102757.006
	25 ft. w/male plug one end, female other	3101632.028
	25 ft. w/female connector ea. end (Includes Index #26)	3102757.014
	30 ft. w/male plug one end, female other	3101632.036
26	Cable, 6" adapter w/male plug ea. end / used with part No.'s 3102757.006 & .014	3102756.024

- Models with Electronic Controls in the air box,
- t* Models with Electronic Controls on a wall thermostat.

NOTE 3:
Thermostat assembly is NOT normally required. Order individual parts. Complete thermostat is Part Number 3103187.005.

PARTS FOR ELECTRIC HEAT KIT (Optional)

Index #	Description	3101121.014
1	Heat element	3101124.000
2	Limit switch	3101123.002
3	Conduit	3100394.063
4	Plug	314470.000
5	Wire harness asm.	3101629.004
6	Heat guard	3101143.000
7	Electric box	3101125.007
8	Strain relief	302994.012



KIT NO. 3101121.014