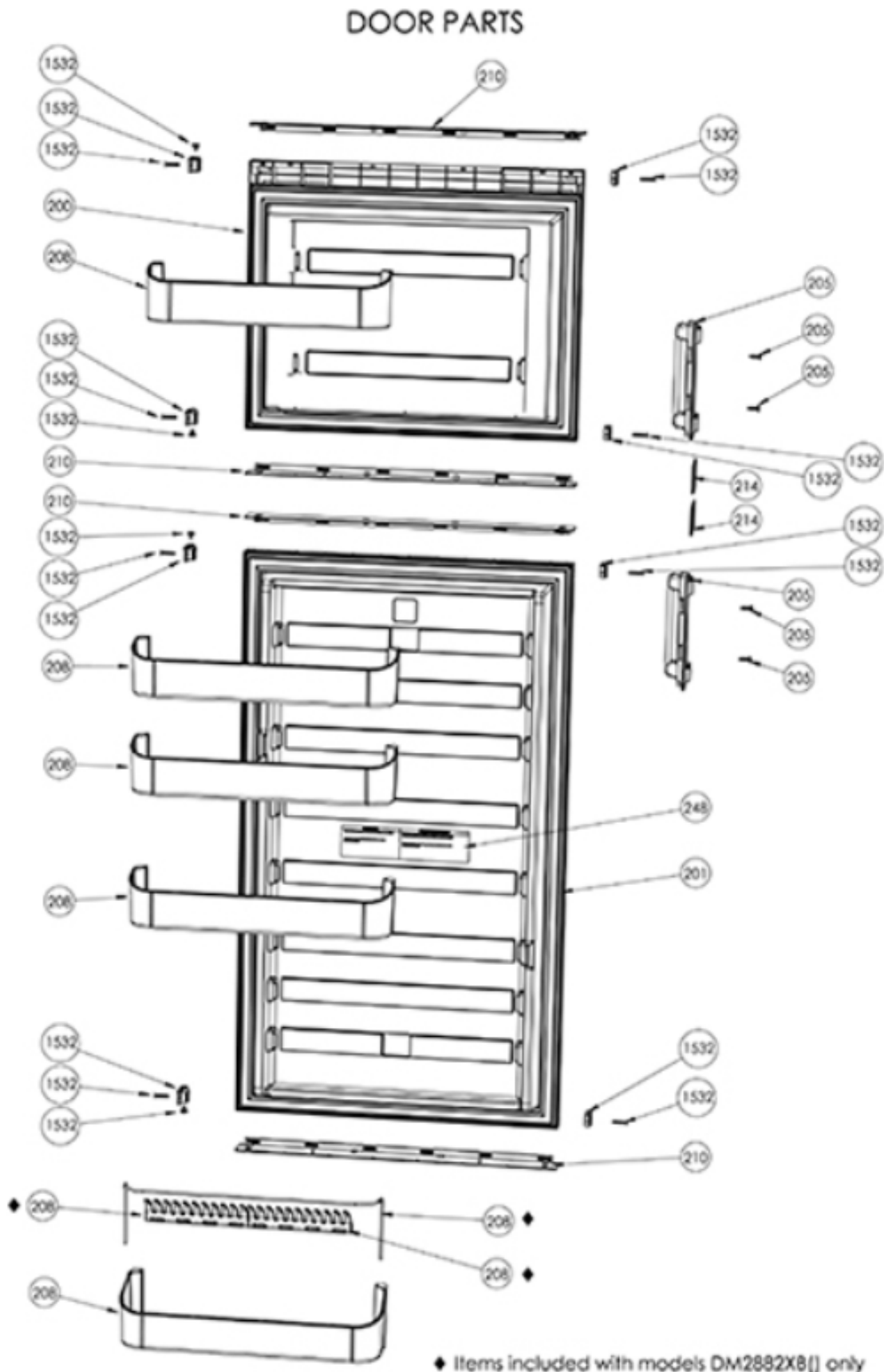
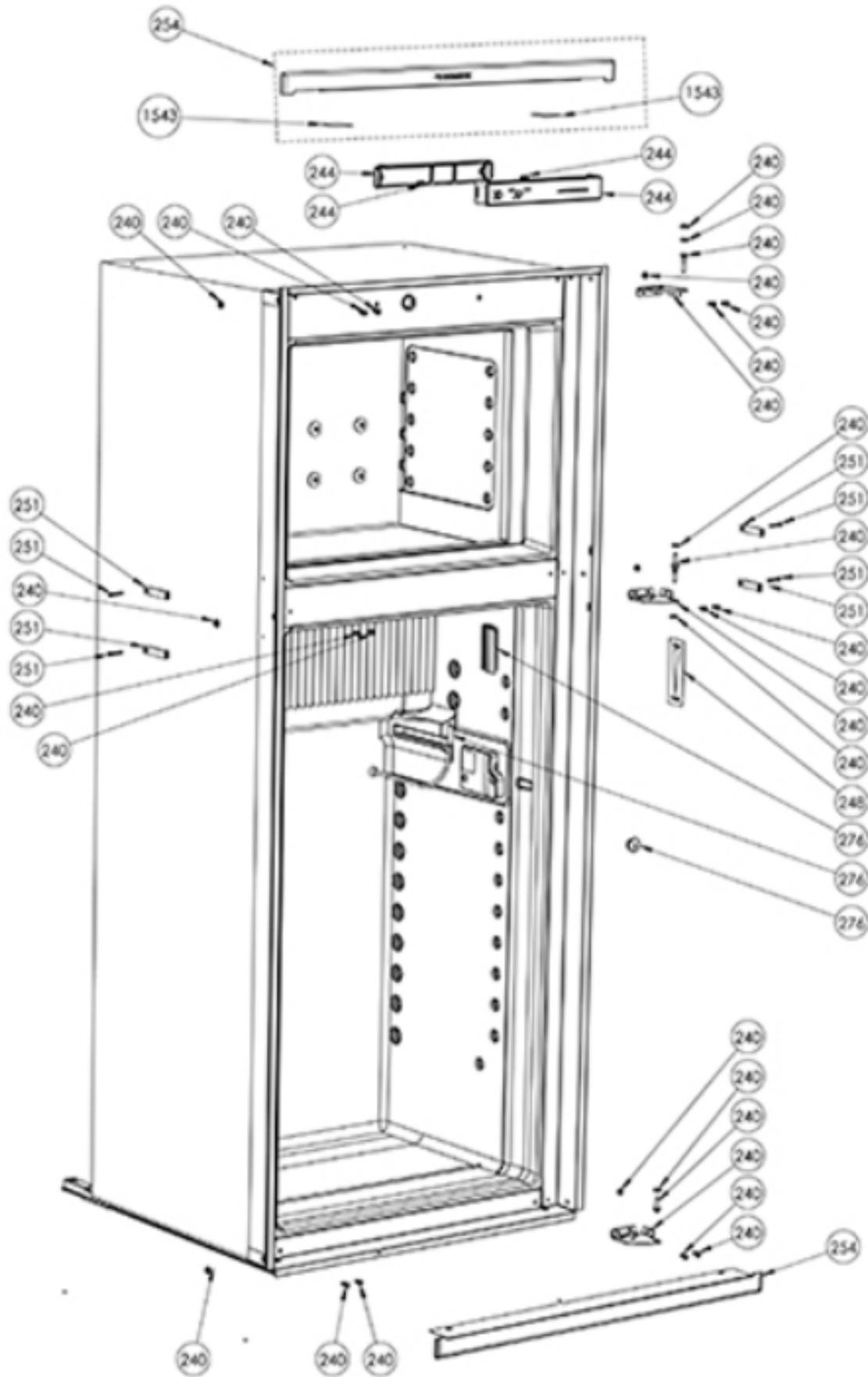


DM2872, DM2882 Series Service Part Identifier Illustration



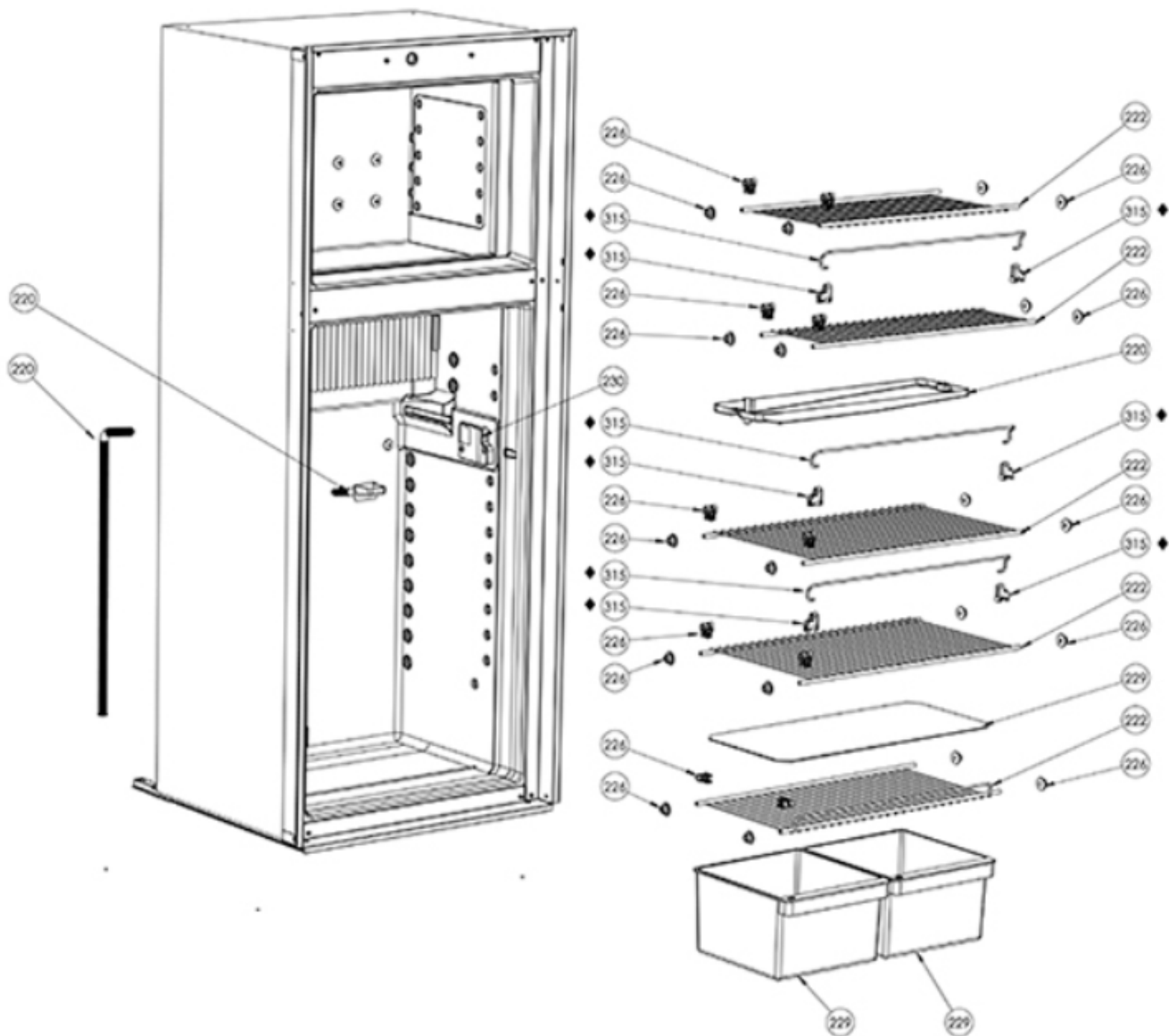
Only parts with identifiers are available as replacement parts and these will vary from product number to product number. See specific product number listing for service parts

CABINET EXTERIOR PARTS



Only parts with identifiers are available as replacement parts and these will vary from product number to product number. See specific product number listing for service parts

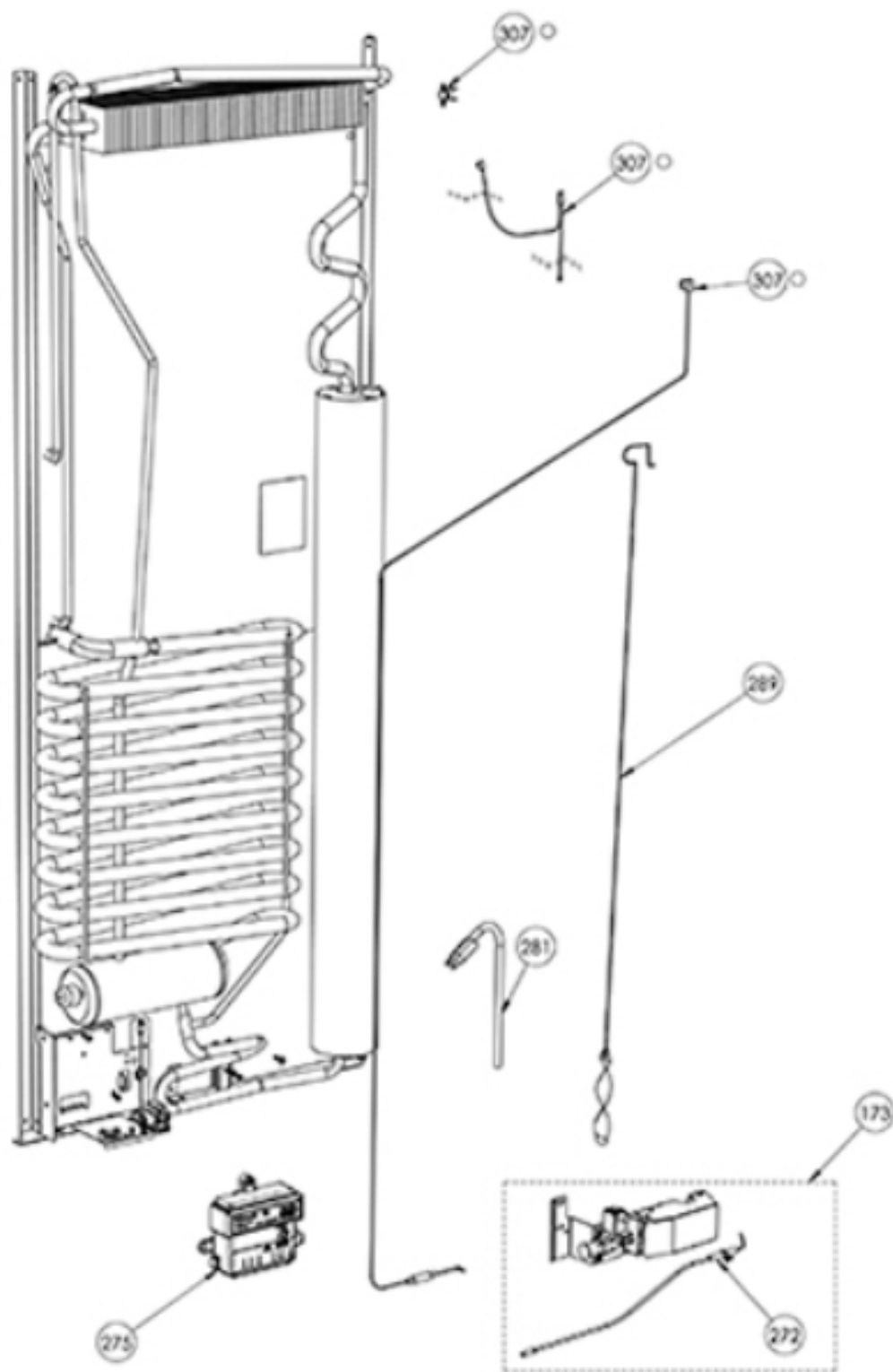
CABINET INTERIOR PARTS



◆ Items included with models DM2882XB() only

Only parts with identifiers are available as replacement parts and these will vary from product number to product number. See specific product number listing for service parts

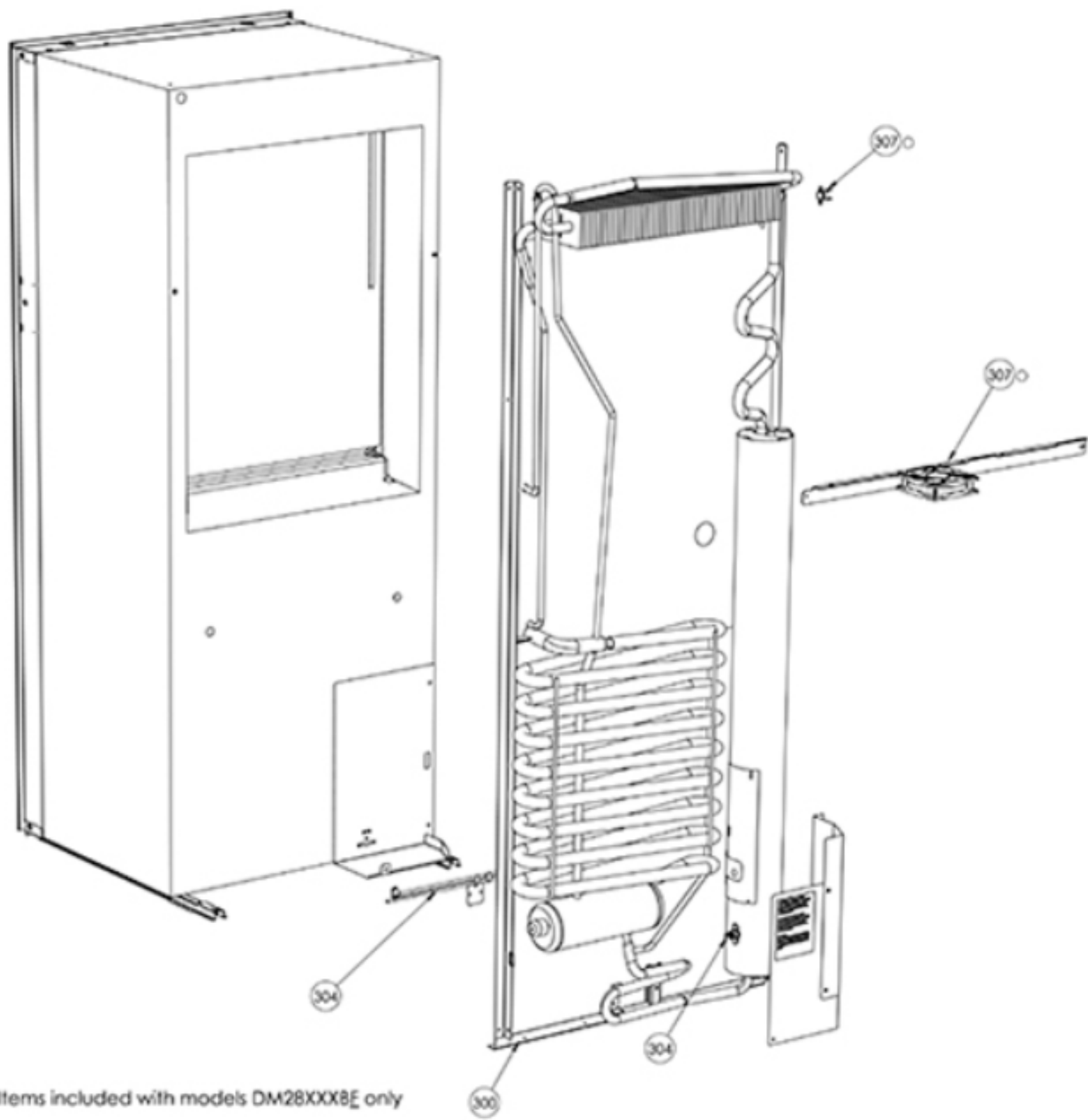
GAS / ELECTRICAL PARTS



○ Items included with models DM28XXX8E only

Only parts with identifiers are available as replacement parts and these will vary from product number to product number. See specific product number listing for service parts

CABINET REAR PARTS



Only parts with identifiers are available as replacement parts and these will vary from product number to product number. See specific product number listing for service parts

| ID | SERVICE PART | DESCRIPTION |
|-----|----------------|--------------------------------|
| 200 | 3316890.900 | S,DOOR ASM,FRZ-6/8 AMII |
| 201 | 3316888.900 | S,DOOR ASM,FF,8CF AMII |
| 202 | 3316885.900 | S,DOOR INSERT,COMBO-6/8 AMII |
| 204 | 3316885.900 | S,DOOR INSERT,COMBO-6/8 AMII |
| 205 | 3316882.900 | S,STD DR HANDLE COMBO-6/8 AMII |
| 208 | 29325760166 | S,SHELVES,DR,WHITE,COMBO,6/8 |
| 210 | 3316883.900 | S,DOOR CAPS,SET-6/8 AMII |
| 213 | SEE ITEM NOTES | NO LONGER AVAILABLE |
| 213 | 3316870.900 | S,SHELF,WIRE,COMBO-6/8 AM II |
| 214 | 38507810266 | S,DOOR AIRING CARDS-6/8 |
| 216 | 4471005925 | S,FASTENER KIT REFR 6-9/1350 |
| 220 | 3316102.9019 | S,HOSE ASM,DRAIN,COMBO-6/8 |
| 220 | SEE ITEM NOTES | NO LONGER AVAILABLE |
| 226 | 3316450.9019 | S,WIRE SHELF MOUNTING HARDWARE |
| 229 | SEE ITEM NOTES | NO LONGER AVAILABLE |
| 229 | 3316877.900 | S,BIN,CRISP,WHT,COMBO-6CF AMII |
| 230 | 3316878.900 | S,LED LIGHT/SWCH ASM-6/8 AM II |
| 240 | 29326430300 | S,HINGES,HARDWARE,COMBO-6/8CF |
| 246 | 3316875.9044 | S,EYEBROW,SNAP ON W/LOGO-AM II |
| 248 | 29327760044 | S,REFER LABELS,COMBO-6/8 |
| 251 | 29328550300 | K,DOOR STRIKES/SCREWS,6-9CF |

| | | |
|------|----------------|------------------------------------|
| 252 | 3314999.900 | NO LONGER AVAILABLE |
| 254 | 2932690130 | S,KICKPLATE,W/FM,BLK9 K-6/7/8/9 |
| 260 | 38514090155 | S,THRMLFUSE ASM/THRMLSWTCH-6/8 |
| 263 | 3850730569 | S,GAS VALVE/BURNER ASM-#58 JET |
| 263 | SEE ITEM NOTES | NO LONGER AVAILABLE |
| 271 | 2932781012 | S,ELECTRODE,450MM,V 1,6-10CF |
| 275 | 3316872.900 | S,CNTRL INTRFC STD,COMBO-AMII |
| 276 | 38510590422 | S,THERMSTOR,COMBO- 8/9/10/1350 |
| 278 | 2932661016 | NO LONGER AVAILABLE |
| 280 | 2954542094 | S,CONTROL CABLE,2400MM |
| 281 | 3313107.039 | S,HEATER,120V,325W,6/ 8CF |
| 283 | 3858022019 | S,TERMINAL BLOCK/WIRE PROTECT |
| 289 | 2932667047 | S,BAFFLE ASM-8/9/10CF |
| 290 | 2002699094 | S,CORD,AC POWER,L=800MM |
| 291 | 3851474019 | NO LONGER AVAILABLE |
| 300 | 3313470.008 | S,CU ASM,8CF,2-WAY |
| 302 | 2933557007 | NO LONGER AVAILABLE |
| 305 | 3851397012 | NO LONGER AVAILABLE |
| 312 | 3851300016 | NO LONGER AVAILABLE |
| 313 | 3851301014 | NO LONGER AVAILABLE |
| 314 | 3851302012 | NO LONGER AVAILABLE |
| 1531 | 2954538019 | NO LONGER AVAILABLE |
| 1532 | 3316885.900 | S,DOOR INSERT,COMBO- 6/8 AMII |
| 1543 | 3316893.900 | S,COVER,MNTG HOLES,BLK-AMII |