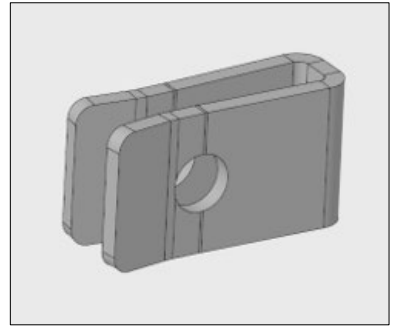


DOMETIC NRX CLIP INSTALLATION MANUAL

PREREQUISITES

The purpose of the clip is to avoid scratches when the refrigerator is installed in flush-mounted frames. The clip should be mounted before the refrigerator is installed in the frame.



INSTALLATION

1. Put the clip below the plastic cover.
2. Push the clip to the end and until it clips on the plastic cover.

