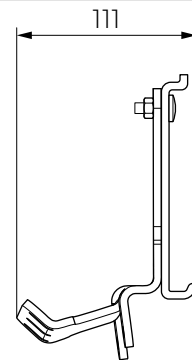
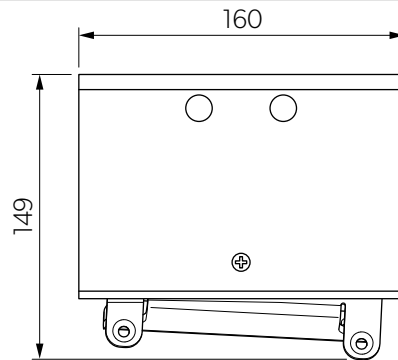
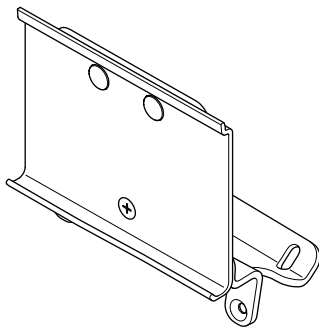
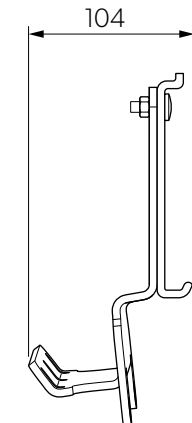
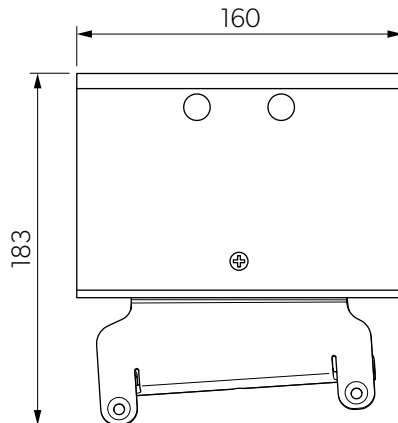
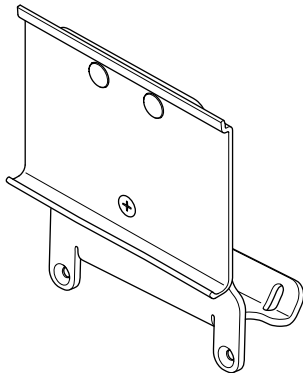


Front



Rear



Intended use	Mounting kit for Dometic PW awnings. The brackets are fixed to the vehicle with blind rivet nuts and bolts. The brackets are fixed to the multi-rail with drilling screws. The Dometic PW awning is mounted to the adapter plates and fixed with drilling screws.
Vehicle model	Mercedes-Benz V-Class / Vito (447), only with Sutter Multi-Rail
Material	Brackets: Galvanized steel, powder coated in black RAL9005 Adapter plates: Extruded aluminium, anodized Standard parts: Stainless steel A2
Color	Black / silver
Net Weight	2.0 kg