

Replacement of Freezer Door

(Single Door Model)

1. Push the carrier (A) inwards by means of a blunt mandrel or pin (fig. 27) and remove the shutter.
2. Pry the spring housings (B fig. 27) away **from** the lining so that it snaps out and turn the spring housings downwards 180°(fig. 28).
3. Mount the new shutter in close position first on one side, making sure that the cross slots engage in the cross on the hinge plate (C fig. 27).
4. Press the carrier on the opposite side so that the hinge plate on the shutter can be pushed over it. See that the crosses engage.
5. Turn the spring housings round and up until the small tag (A fig. 28) snaps into the slot in the lining.

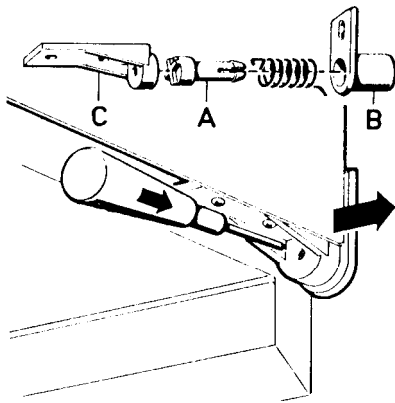


Fig. 27

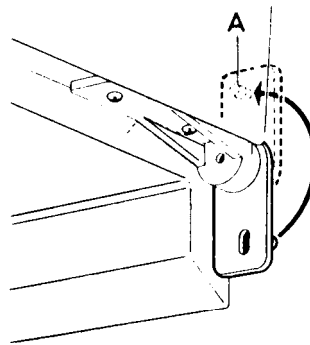


Fig. 28

Left Hand wind Clockwise

Right Hand wind Counter Clockwise