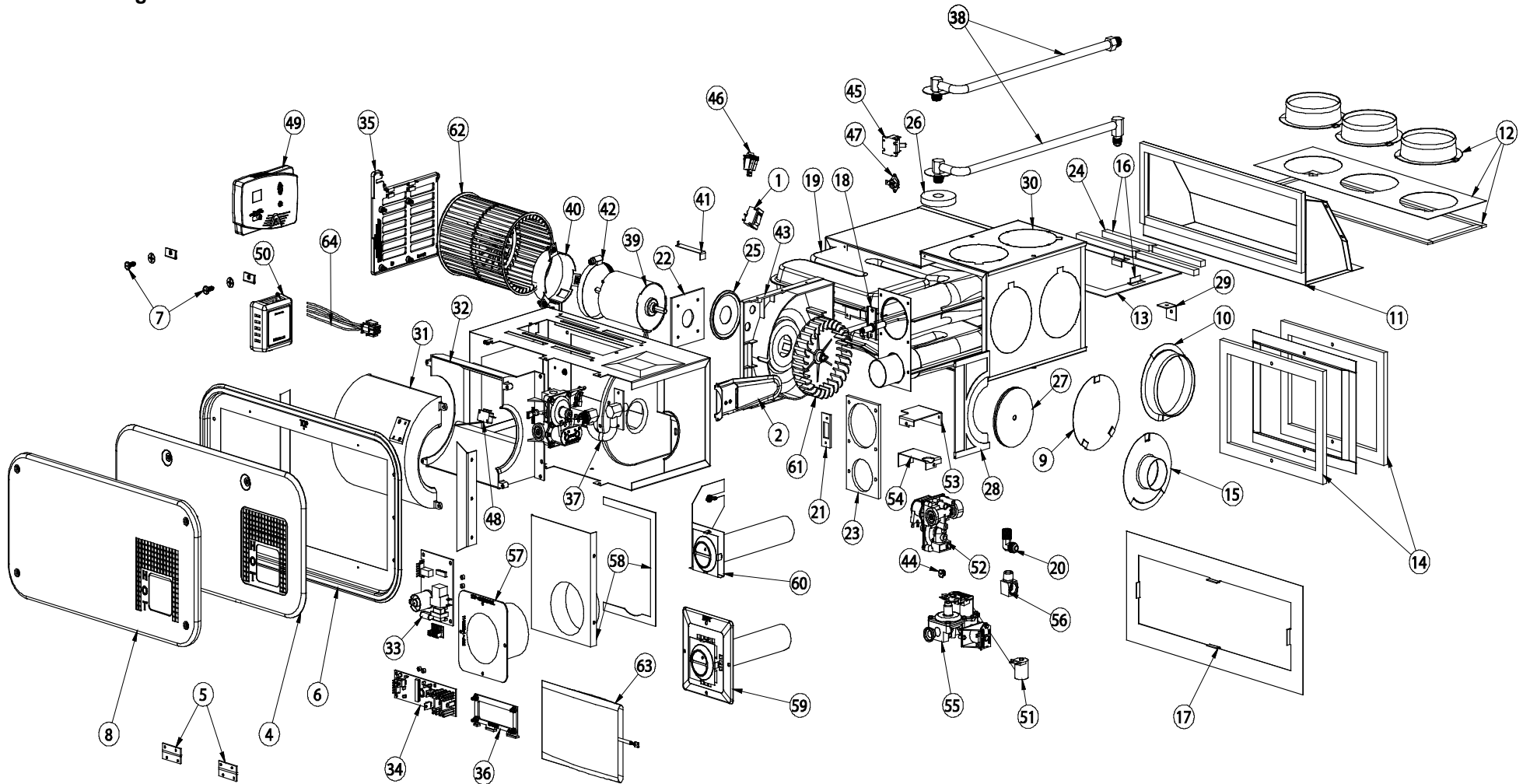




1120 North Main Street • Elkhart, IN 46514
USA : 800-546-8759 Canada & USA : 800-825-4328
Internet: <http://www.atwoodmobile.com>

Parts Drawing



Parts List

Category	Item	P/N	Title	8516_IV	8520_IV	8525_IV	8531_IV	8535_IV	8516_LD	8520_LD	8525_LD	8531_LD	8535_LD	1522	1522_LD	2334	2334_LD	
Breaker, Circuit	1	34012	CIRCUIT BREAKER/ON-OFF SWITCH			X	X				X	X						
		34015	CIRCUIT BREAKER/ON-OFF SWITCH													X	X	
		34013	CIRCUIT BREAKER/ON-OFF SWITCH					X					X	X	X			
		34011	CIRCUIT BREAKER/ON-OFF SWITCH	X	X				X	X								
Burners	2	36043	ASSY,BURNER HEAD COMPLETE	X	X	X	X	X	X	X	X	X	X	X	X	X	X	X
Doors	4	33754	DOOR ASSY, DELUXE, 02 1-PK	X	X	X	X	X						X		X		
		33756	DOOR ASSY, DELUXE, 04 1-PK	X	X	X	X	X						X		X		
		35101	DOOR ASSY, DELUXE, 22 1-PK	X	X	X	X	X						X		X		
		35102	DOOR ASSY, DELUXE, 23 1-PK	X	X	X	X	X						X		X		
		35385	DOOR ASSY, DELUXE, 32 1-PK	X	X	X	X	X						X		X		
		34238	DOOR ASSY, DELUXE, 44 1-PK	X	X	X	X	X						X		X		
		33741	DOOR ASSY, DELUXE, 47 1-PK	X	X	X	X	X						X		X		
		36129	DOOR ASSY, DELUXE, 34 1-PK	X	X	X	X	X						X		X		
		37228	DOOR ASSY, DELUXE, 36 1-PK	X	X	X	X	X						X		X		
		5	33620	INNER,85,DOOR HINGE	X	X	X	X	X						X		X	
		6	33854	85/89 RECESS PAN ASSY 02 1-PK	X	X	X	X	X						X		X	
			35105	85/89 RECESS PAN ASSY 23 1-PK	X	X	X	X	X						X		X	
			33856	85/89 RECESS PAN ASSY 04 1-PK	X	X	X	X	X						X		X	
			35384	85/89 RECESS PAN ASSY 32 1-PK	X	X	X	X	X						X		X	
			36130	85/89 RECESS PAN ASSY 34 1-PK	X	X	X	X	X						X		X	
			33749	85/89 RECESS PAN ASSY 47 1-PK	X	X	X	X	X						X		X	
			33801	85/89 RECESS PAN ASSY 48 1-PK	X	X	X	X	X						X		X	
			35104	85/89 RECESS PAN ASSY 22 1-PK	X	X	X	X	X						X		X	
		7	33847	ASSY,85-II,DOOR LATCH,N/S	X	X	X	X	X						X		X	
		8	37125	DOOR ASSY, STANDARD, 02 1-PK	X	X	X	X	X						X		X	
		37126	DOOR ASSY, STANDARD, 04 1-PK	X	X	X	X	X						X		X		
		37128	DOOR ASSY, STANDARD, 22 1-PK	X	X	X	X	X						X		X		
		37129	DOOR ASSY, STANDARD, 23 1-PK	X	X	X	X	X						X		X		
		37652	DOOR ASSY, STANDARD, 32 1-PK	X	X	X	X	X						X		X		
		36942	DOOR ASSY, STANDARD, 34 1-PK	X	X	X	X	X						X		X		
		37388	DOOR ASSY, STANDARD, 34F 1-PK	X	X	X	X	X						X		X		
		38102	DOOR ASSY, STANDARD, 40 1-PK	X	X	X	X	X						X		X		
		34555	DOOR ASSY, STANDARD, 43 1-PK	X	X	X	X	X						X		X		
		34237	DOOR ASSY, STANDARD, 44 1-PK	X	X	X	X	X						X		X		
		33755	DOOR ASSY, STANDARD, 47 1-PK	X	X	X	X	X						X		X		
		33800	DOOR ASSY, STANDARD, 48 1-PK	X	X	X	X	X						X		X		

Category	Item	P/N	Title	8516_IV	8520_IV	8525_IV	8531_IV	8535_IV	8516_LD	8520_LD	8525_LD	8531_LD	8535_LD	1522	1522_LD	2334	2334_LD
Ducting	9	31361	PLATE,DUCT COVER, 4 INCH	X	X	X	X	X	X	X	X	X	X	X	X	X	X
	10	31474	ADAPTER,DUCT,4 INCH	X	X	X	X	X	X	X	X	X	X	X	X	X	X
	11	33150	ASSY,EXTENSION BOX ADAPTER	X	X	X	X	X	X	X	X	X	X	X	X	X	X
		37878	ASSY,EXTENSION BOX ADAPTER	X	X	X	X	X	X	X	X	X	X	X	X	X	X
	12	34438	KIT,FLEX ADAPTER PLATE	X	X	X	X	X	X	X	X	X	X	X	X	X	X
	13	36277	BOTTOM PLENUM PLATE SMALL	X	X	X	X	X	X	X	X	X	X	X	X	X	X
	15	36688	ADAPTER,DUCT,2 INCH	X	X	X	X	X	X	X	X	X	X	X	X	X	X
	16	37745	ASSY,ADAPTER PLATE 85 TOP/BOT	X	X	X	X	X	X	X	X	X	X	X	X	X	X
	17	37868	ASSY,PLATE ADAPTER EXT.BOX	X	X	X	X	X	X	X	X	X	X	X	X	X	X
Electrode	18	34033	ELECTRODE, CHF8 ASSY W/LEAD						X	X	X	X	X		X		X
		37057	ELECTRODE, CHF1 ASSY	X	X	X	X	X						X		X	
Elements	19	34449	WELD,ELEMENT W/EXHAUST 16-25						X	X	X				X		
		37958	WELD,ELEMENT W/EXHAUST 16-25	X	X	X											
		34450	WELD,ELEMENT W/EXHAUST 31-35									X	X				X
		37959	WELD,ELEMENT W/EXHAUST 31-35				X	X								X	
Fittings, Pipe	20	31043	ELBOW, MALE, 3/8 X 3/8 BRASS	X	X	X	X	X						X		X	
		31046	CONN,MALE, 3/8 X 3/8						X	X	X	X	X				
Gasket	23	37956	GASKET,EXHAUST WALL	X	X	X	X	X	X	X	X	X	X	X	X	X	X
	24	34551	FOAM TAPE,SOLIMIDE,1/2 X 32	X	X	X	X	X	X	X	X	X	X	X	X	X	X
	25	37600	GASKET, MOTOR 85-IV	X	X	X	X	X	X	X	X	X	X	X	X	X	X
	26	38304	GASKET, GAS LINE						X	X	X	X	X		X		X
General Parts	27	37410	PLUG,85/89,S/O GAS INLET	X	X	X	X	X						X		X	
	28	37411	PLATE,85,SLIDE,S/O	X	X	X	X	X						X		X	
	29	34512	KIT,VERTICAL MOUNTING						X	X	X	X	X		X		X
	31	37605	HOUSING, BLOWER BACK 85-IV	X	X	X	X	X	X	X	X	X	X	X	X	X	X
	32	37606	HOUSING, BLOWER 85-IV	X	X	X	X	X	X	X	X	X	X	X	X	X	X
Igniton, Controls	33	34696	KIT,DSI BOARD 2-STAGE REPLACE											X	X	X	X
		31501	KIT,UNIVERSAL IGNITION DC	X	X	X	X	X	X	X	X	X	X				
	34	34109	KIT,MOTOR SPEED CONTROL 2STAGE											X	X	X	X
	35	34541	BRACKET, DSI DC MOUNT, PLASTIC	X	X	X	X	X	X	X	X	X	X	X	X	X	X
	36	34543	BRACKET, DSI AUXILIARY,PLASTIC											X	X	X	X
Manifold	37	37392	MANIFOLD,W/R 85/89-III	X	X	X	X	X						X		X	
		34405	MANIFOLD, OUTLET LD2						X	X	X	X	X		X		X
	38	34406	MANIFOLD, EXTENDED 85 LD2						X	X	X	X	X		X		X
		34530	MANIFOLD, EXTENDED 85 LD2						X	X	X	X	X		X		X

Category	Item	P/N	Title	8516_IV	8520_IV	8525_IV	8531_IV	8535_IV	8516_LD	8520_LD	8525_LD	8531_LD	8535_LD	1522	1522_LD	2334	2334_LD	
Motors	39	38554	MOTOR, 2 STAGE											X	X			
		37964	MOTOR, 2 STAGE													X	X	
		37697	MOTOR, 8525-31			X	X				X	X						
		37698	MOTOR, 8535					X					X					
		37696	MOTOR, 8516-20	X	X				X	X								
	41	37604	BRACKET, MOTOR RETAINER SMALL	X	X				X	X								
		37603	BRACKET, MOTOR RETAINER MEDIUM			X	X				X	X			X	X		
		37602	BRACKET, MOTOR RETAINER LARGE					X					X			X	X	
	42	37646	CLAMP 1/2 INCH GENERAL PURPOSE	X	X	X	X	X	X	X	X	X	X	X	X	X	X	X
	43	37801	KIT,MOTOR WALL ASSY.	X	X	X	X	X	X	X	X	X	X	X	X	X	X	X
Orifices	44	31265	ORIFICE,#1.25MM,UKSD		X					X								
		31267	ORIFICE,#54,0.0550 HOLE											X	X			
		32285	ORIFICE,#51,0.0670 HOLE					X					X			X	X	
		31257	ORIFICE,#56,0.0465 HOLE	X					X									
		31280	ORIFICE,#52,0.0635 HOLE				X					X						
		37580	ORIFICE,#1.45MM			X					X			X	X			
Switches, Limit	47	37022	SWITCH,LIMIT 36TXV11,L190 TOD	X	X	X	X	X	X	X	X	X	X	X	X	X	X	
Switches, Sail	48	36680	SWITCH,SAIL, D40JRWAG	X	X	X	X	X	X	X	X	X	X	X	X	X	X	
Thermostats	49	38535	THERMOSTAT,2 STAGE-DM/RVP WHT											X	X	X	X	
	50	38452	THERMOSTAT,HEAT ONLY,BROWN	X	X	X	X	X	X	X	X	X	X					
		38453	THERMOSTAT,HEAT ONLY,WHITE	X	X	X	X	X	X	X	X	X	X					
Valves	51	31000	COIL,DC 7U VALVE REPLACEMENT	X	X	X	X	X	X	X	X	X	X	X	X	X	X	
	52	38604	VALVE,SIDE OUTLET, 12VDC COIL	X	X	X	X	X	X	X	X	X	X					
		31150	KIT, VALVE SIDE OUTLET, 12VDC	X	X	X	X	X						X		X		
	54	38436	BRACKET,VALVE,2 STAGE	X	X	X	X	X						X		X		
	55	38602	VALVE,2 STAGE, 12VDC COILS											X	X			
		38605	VALVE,2 STAGE, 12VDC COILS														X	X
Vent, Exhaust	57	34410	INTAKE AIR ADAPTER LD2						X	X	X	X	X		X		X	
	58	34421	ASSY,PANEL,BURNER ACCESS LD2						X	X	X	X	X		X		X	
	59	34422	ASSY,VENT 3/8 LD2									X	X		X		X	
		34423	ASSY,VENT 5/8 LD2						X	X								
	60	37891	ASSY,DRAFT SHIELD 5/8	X	X													
		37890	ASSY,DRAFT SHIELD 3/8			X	X	X							X		X	
		30503	ASSY,DRAFT SHIELD LM 3/8				X											
Wheels	61	33128	KIT,COMBUSTION WHEEL 85/89	X	X	X	X	X	X	X	X	X	X	X	X	X	X	
	62	33126	KIT,BLOWER WHEEL & CLAMP 85	X	X	X	X	X	X	X	X	X	X	X	X	X	X	

Category	Item	P/N	Title	8516_IV	8520_IV	8525_IV	8531_IV	8535_IV	8516_LD	8520_LD	8525_LD	8531_LD	8535_LD	1522	1522_LD	2334	2334_LD
Wiring	63	30229	KIT, WIRING HARNESS 85DC	X	X	X	X	X									
		30231	KIT, WIRING HARNESS LD												X		X
		30233	KIT, WIRING HARNESS 2-STAGE											X		X	
		30234	KIT, WIRING HARNESS 85/89 LD							X	X	X	X				
	64	36290	ASSY,FIELD PLUG 85-IV	X	X	X	X	X									
		37987	ASSY,FIELD PLUG 2STAGE										X		X		