

30" minimum width required

⚠ WARNING
Electrical Shock Hazard
 Take special care when drilling holes into the wall. Electrical wires may be concealed behind the wall covering and contact with them could result in electrical shock.

INSTRUCTIONS

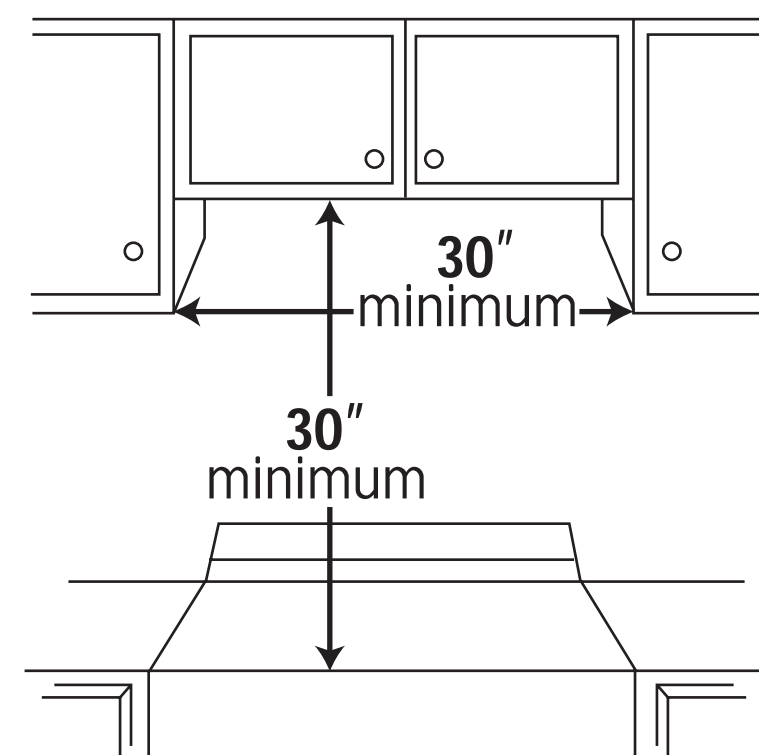
- Using a plumb line and measuring tape, determine and clearly mark a vertical center line in area microwave oven is to be installed.
- Find and mark the wall stud(s) on the wall then measure and mark the stud location on the wall template. If you cannot locate a wall stud in the area the microwave oven is to be installed, consult a local building contractor. Do Not attempt to install this microwave oven if a wall stud cannot be located.
- Center template in opening by lining up plumb line on wall with center line on template. Minimum width must be 30 inches and top of template must be a minimum of 30 inches above cooking surface or countertop.
- Securely tape or tack the template to wall.

NOTE:

- If cabinets are not plumb, adjust template to cabinets.
- If front edge of cabinet is lower than back edge, adjust template so that it is level with cabinet front.

Wall template

Part No. 3858W5A013B



- Find points D, E, F, and G on template. Drill a 3/16" diameter hole at the points that are over a wall stud and a 3/4" diameter hole at the points that are over drywall.
- Locate the wall stud closest to the center of the areas marked H and I on the Wall Template. Drill 3/16" holes into the wall stud, one in area marked H and one in area I. If there is not a wall stud at points D, E, F, G or within areas marked H and I, DO NOT install microwave oven.
- Determine which venting method (roof-venting, wall-venting or ventless) you need to use. This microwave oven is equipped for roof- or wall-venting installation. Some models cannot be installed using the ventless (recirculation) method. If you plan to use the ventless method, check with your dealer whether the microwave oven you purchased can be installed without venting.
- To vent through the roof, see upper-cabinet template. To vent through wall, cut out shaded area marked O on template. Remove templates. Complete installation according to microwave oven Installation Instructions.

⚠ WARNING
Personal Injury or Property Damage Hazard
 • The microwave oven must be mounted with two lag screws to a minimum of one 2" x 4" wall stud.
 • Do Not attempt to install the microwave oven if a wall stud is not located in the installation area.
 • Two people are required to lift this microwave oven.
 Failure to follow these instructions could result in personal injury and/or property damage.

Drill a 3/16" dia. hole if this point is over a wall stud. Drill a 3/4" dia. hole if this point is over drywall.

