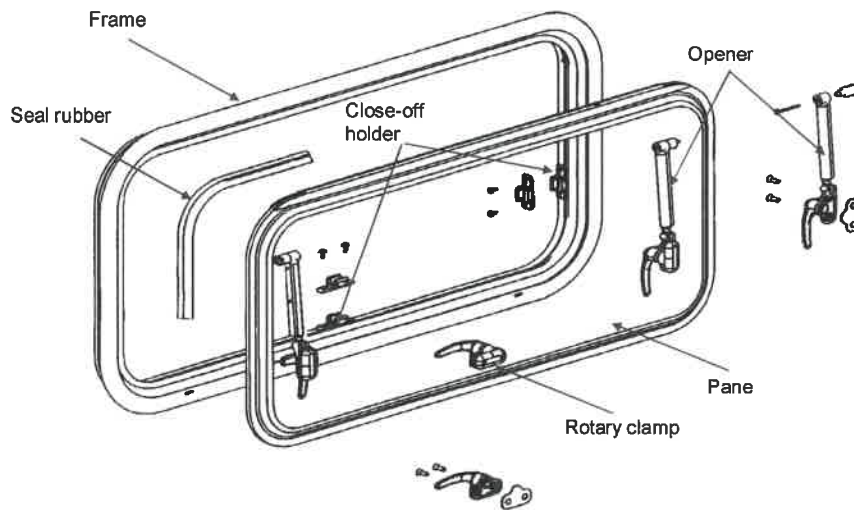


S7 - Opening Window



PROBLEM:

- Replacement of the exterior frame**
- Replacement of the sealing rubber**
- Windowpane replacement**
- Replacement of the opener**
- Replacement of the rotary clamp**
- Replacement of the close-off holder**

Replacement of the exterior frame

For the replacement of the opening window, it is required to loosen the window blind system (if present) or the covering section profile at the inner side. Then the surrounding assembly clips are to be removed.

Caution! Before the screwed connections of the exterior frame are loosened, it must be ensured that the window is secured from outside against falling out.

Before the insertion of the new exterior frame, the sealing surface of the wall section is to be cleaned. With the installation, a suitable caulking material must be employed. Permanently-plastic sealant mass (bead \varnothing 6-8mm) is applied all round in the corner of the frame to seal the exterior frame. From inside, the exterior and interior frames are screwed together with each other, where it is to be ensured that the screws are not tightened too much (max. tightening torque 3 Nm).

Replacement of the sealing rubber

Dismantle close-off holder sideways and as described below under **replacement of the close-off holder**. Remove sealing rubber from the slot. While inserting the new sealing rubber, it is to be ensured that the joint of the rubber seats centrally below. Then attach the close-off holders again in the specified bores.

Windowpane replacement



Loosen the fixing screws on the side articulated supports of the opener. Unlock pane on the lock.

Caution! With opening the windowpane through 90° it releases itself from the frame hinge and falls out.



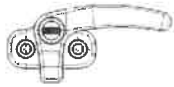
With fixing in a new acrylic pane, it must be ensured that the windowpane hinge is positioned properly in the frame hinge. With fixing the windowpane, the fitting angle must be $>90^\circ$, so that the windowpane hinge can be inserted into the frame hinge. Before closing, ensure freedom of movement in order to avoid possible damage in the hinge area. Then close window and fasten opener to the frame.

Replacement of the opener



In order to replace the opener, open window pane by approx. 45° . Then clip off the opener from the opener receptacle (rotary clamp). Dismantle openers at the articulated lug of the exterior frame. Mount the spare part in reverse order again.

Replacement of the rotary clamp



Loosen rotary clamp at the fixing screws and install new part in reverse order.

Replacement of the close-off holder



Dismantle screws from the close-off holder and mount spare part again fitting properly.