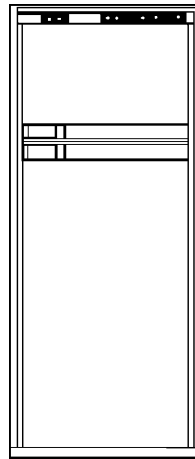




**WHEN ORDERING SPARE PARTS, ALWAYS STATE:**  
 MODEL — QUANTITY — PART NUMBER — DESCRIPTION  
**For Electric Details Also:**  
 VOLTAGE — WATTAGE

# Silhouette™



**USA**  
 SERVICE OFFICE  
 The Dometic Corp.  
 509 So. Poplar St.  
 LaGrange, IN 46761

**CANADA**  
 Dometic Dist.  
 866 Langs Dr.  
 Cambridge, Ontario  
 CANADA N3H 2N7

PRODUCT NO.	MODEL	DOOR HINGE	MARKET	VOLTAGE	WIRING DIAGRAM
921923081	S1821	RH	U.S., CANADA	120 V	2931878-00
921923091	S1821	LH	U.S., CANADA	120 V	2931878-00
921928461	S1831	RH	U.S., CANADA	12/120 V	2931879-00
921928471	S1831	LH	U.S., CANADA	12/120 V	2931879-00
921928481	S1831	RH	U.S., CANADA	12/120 V	2931879-00
921928491	S1831	LH	U.S., CANADA	12/120 V	2931879-00

## PARTS LIST

**MODELS**  
**S1821**  
**S1831**

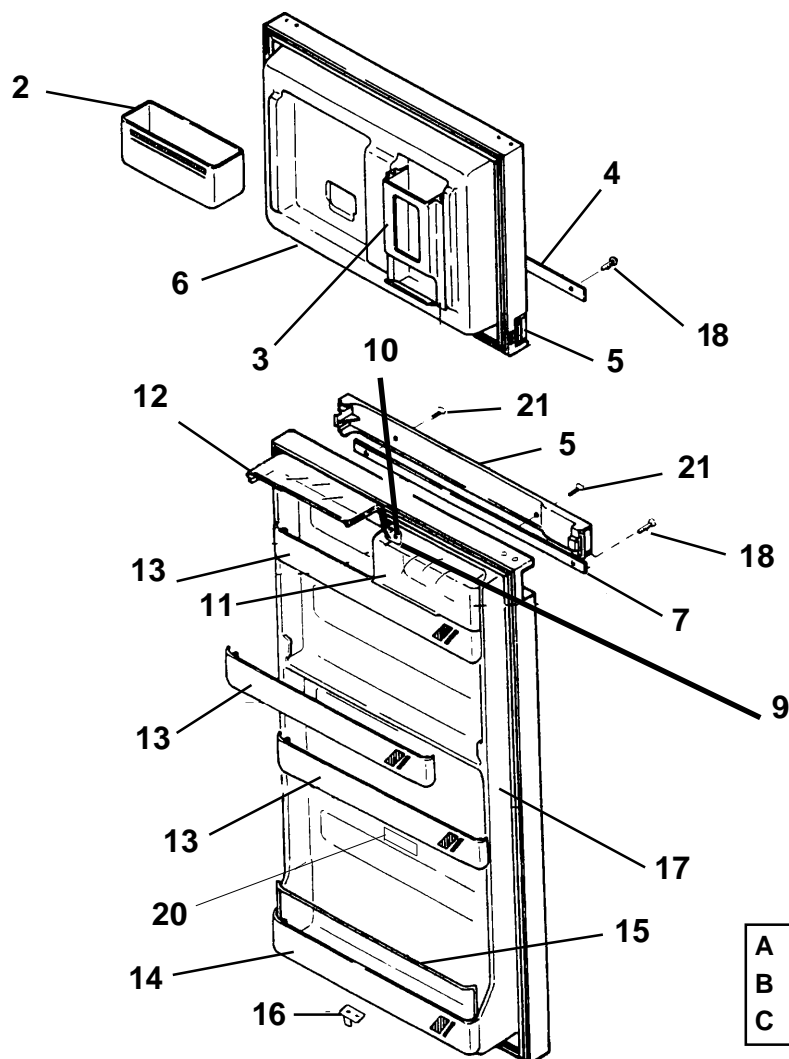
**ALPHABETICAL INDEX**

	Page	Index #
Burner & Controls .....	6-7	58, 70-115
Cabinet		
Front view .....	4-5	25-66
Rear view .....	8	41, 120-130
Door parts .....	3	2-21
Wiring Diagrams		
2 way .....	9	—
3 way .....	9	—

**SPECIFICATIONS**

<b>Model Number</b>	<b>S1821.000</b>	<b>S1821.001</b>	<b>S1831.000</b>	<b>S1831.001</b>
Product Number	921923081	921923091	921928461 921928481	921928471 921928491
Energy Source	120VAC/ GAS	120VAC/ GAS	12VDC/ 120VAC/GAS	12VDC/ 120VAC/GAS
AC Heating Element				
Amperage	2.7	2.7	2.7	2.7
Ohms Resistance $\pm 10\%$	44	44	44	44
Wattage	325	325	325	325
DC Heating Element				
Wattage	---	---	215	215
Amperage	---	---	17.9	17.9
BTU's Gas Burner	1500	1500	1500	1500
**12 Volt DC power is required to operate the controls of All Models				

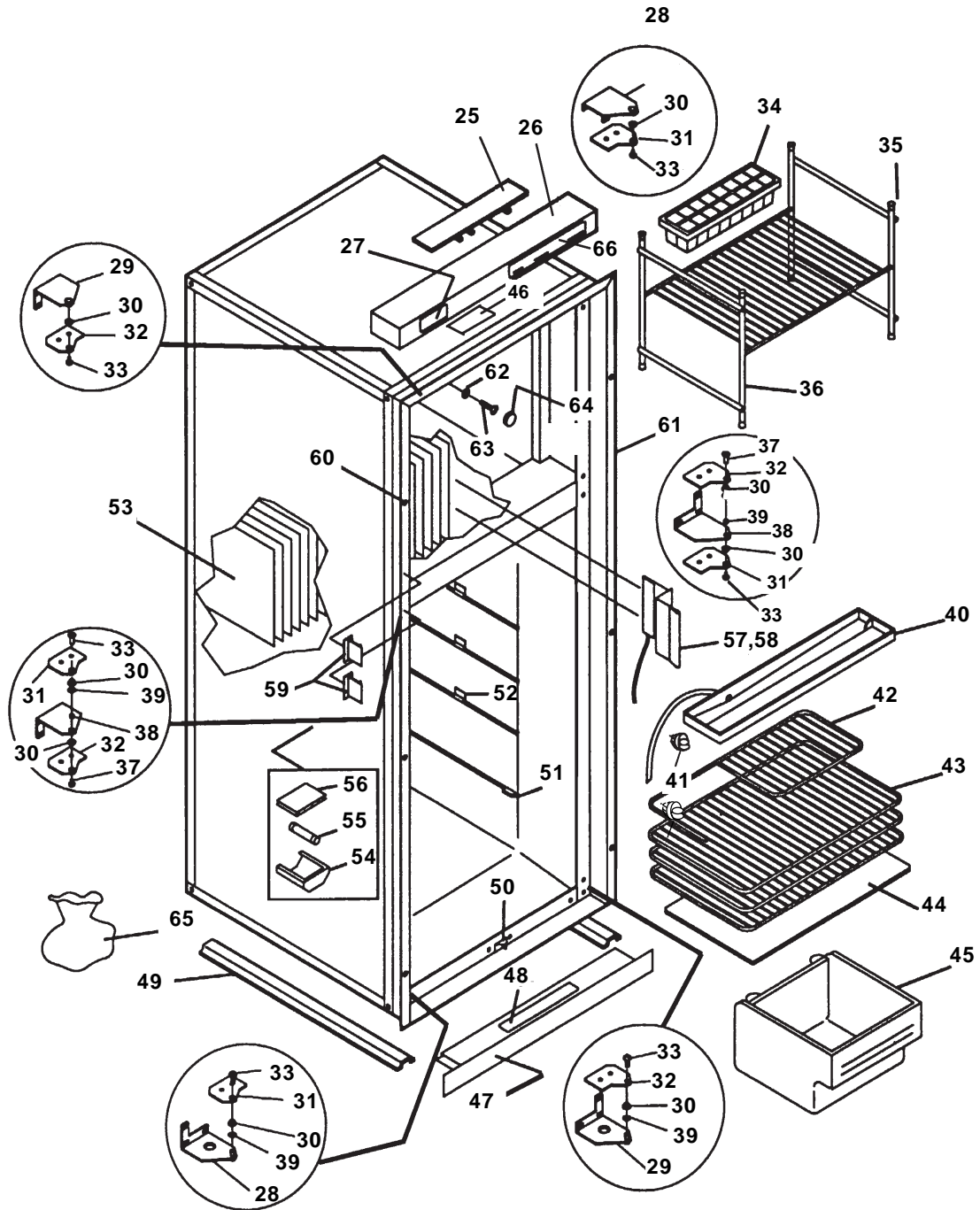
DOOR PARTS



A	= 921923081,	921923091
B	= 921928461,	921928471
C	= 921928481,	921928491

Index #	Part No.	A	B	C	Description
2	2943140026	A	B	C	Container / ice storage
3	2943141016	A	B	C	Rack, juice
4	2943149001	A	B	C	Trim, door
5	2943709010	A	B	C	Latch asm. (2 req.)
6	2943208005	A	B	C	Door, freezer
7	2943149217	A	—	—	Strip, decoration (2-way)
	2943149225	—	B	C	Strip, decoration (3-way)
9	2943153003	A	B	C	Support, dairy door
10	2943195004	A	B	C	Rivet, white (2 req.)
11	2943152005	A	B	C	Door, dairy, right-hand
12	2943151007	A	B	C	Door, dairy, left-hand
13	2943366.019	A	B	C	Shelf, door (3 req.)
14	2943144.010	A	B	C	Shelf, door
15	2943240008	A	B	C	Extension, wire shelf
16	2943370003	A	B	C	Actuator, switch
17	2943206009	A	B	C	Door, lower
18	2943671012	A	B	C	Screw, trim (4 req.)
20	2931620005	A	B	C	Label
21	2943671012	A	B	C	Screw, latch (4 req.)

CABINET — FRONT VIEW

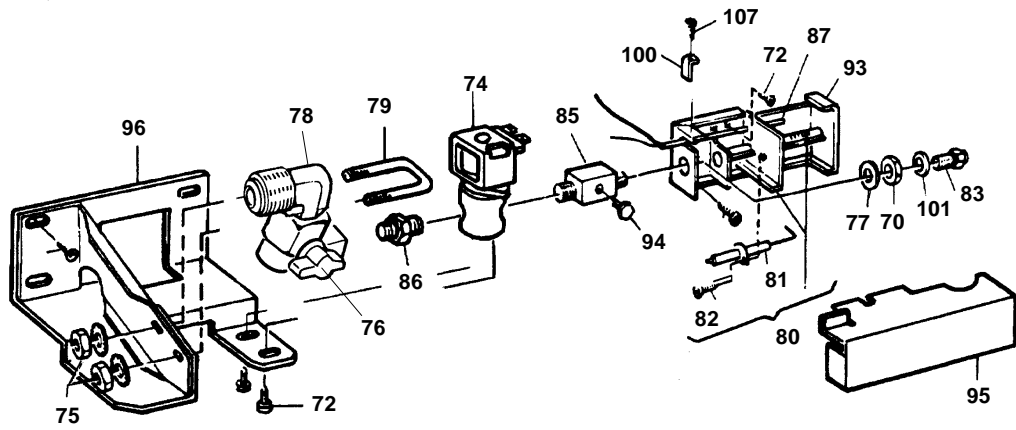
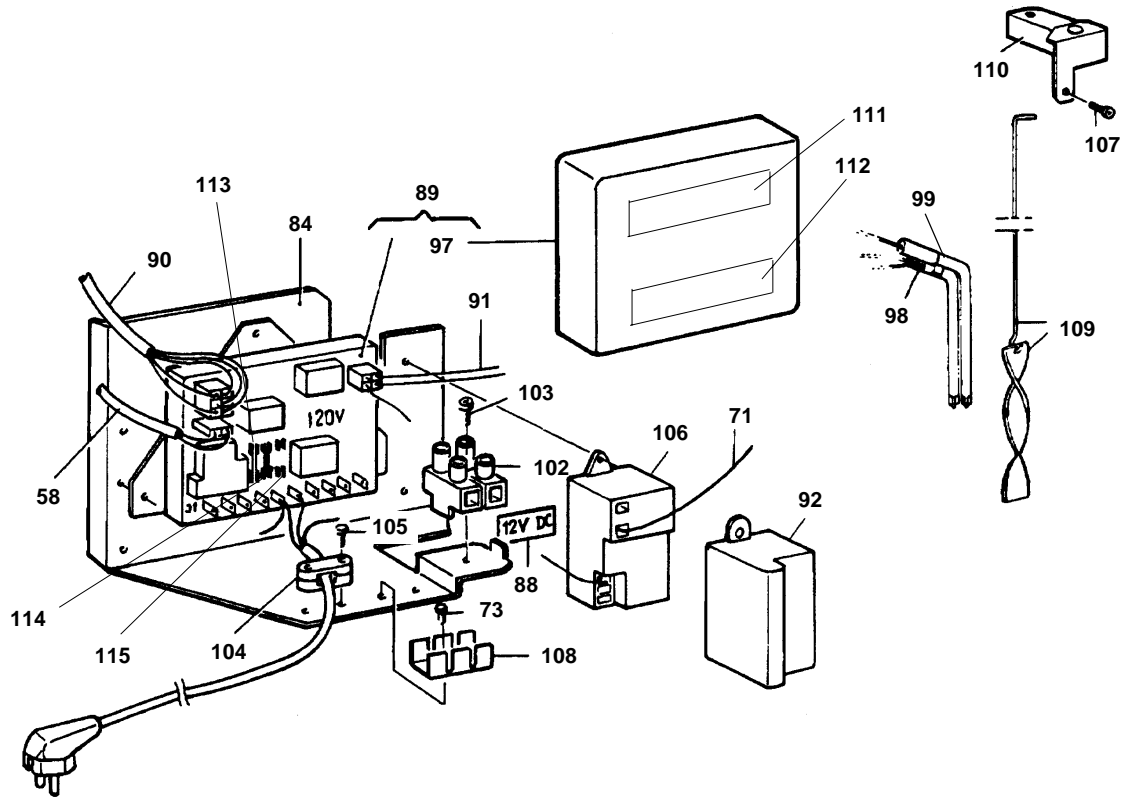


CABINET — FRONT VIEW

<b>A</b>	=	<b>921923081,</b>	<b>921923091</b>
<b>B</b>	=	<b>921928461,</b>	<b>921928471</b>
<b>C</b>	=	<b>921928481,</b>	<b>921928491</b>

Index #	Part No.				Description
25	2931847012	A	—	—	Circuit board, 2-way
	2931848010	—	B	C	Circuit board, 3-way
26	0955000468	A	—	—	Front, 2-way
	0955000476	—	B	C	Front, 3-way
27	2944187000	A	B	—	Logo, Silhouette
	2932011014	—	—	C	Logo, Silhouette
28	2943569000	A	B	C	Hinge, upper right, lower left
29	2943570008	A	B	C	Hinge, upper left, lower right
30	2943196002	A	B	C	Hinge, bushing (4 req.)
31	2943235008	A	B	C	Hinge support, upper right, lower left (2 req.)
32	2943236006	A	B	C	Hinge support, upper left, lower right (2 req.)
33	2943276002	A	B	C	Hinge pin (3 req.)
34	2943422002	A	B	C	Ice tray (2 req.)
35	2943241006	A	B	—	Cap (8 req.)
36	2943170007	A	B	—	Shelf, freezer
	2932012012	—	—	C	Shelf, freezer
37	2943275012	A	B	C	Hinge, journal
38	2943213005	A	B	C	Hinge bracket, middle
39	2943495008	A	B		Washer
40	2943132015	A	B	C	Tray, drip
41	2943414009	A	B	C	Clamp (2 req.)
42	2943180014	A	B	C	Shelf, milk
43	2943179016	A	B	C	Shelf (3 req.)
44	2943178000	A	B	C	Shelf, glass
45	2943143020	A	B	C	Crisper (2 req.)
46	2931304006	—	B	C	Label, "This refrigerator must be installed"
47	2943426011	A	B	C	Toe plate
48	2944298005	A	—	—	Label, 2-way
	2944299003	—	B	C	Label, 3-way
49	2943129003	A	B	C	Rail, bottom support (2 req.)
50	2943184008	A	B	C	Switch
51	2943128005	A	B	C	Retainer (2 req.)
52	2943127007	A	B	C	Retainer (8 req.)
53	2943387007	A	B	C	Fins, evap.
54	2943157004	A	B	C	Lamp cover
55	2943446001	A	B	C	Bulb
56	2943204004	A	B	C	Lamp socket
57	2931976019	A	B	C	Bracket, thermister
58	2931863019	A	B	—	Thermistor, with lead
	2931863043	—	—	C	Thermistor, with lead
59	2943126009	A	B	C	Locking latch (2 req.)
60	2943434007	A	B	C	Cover, screw (11 req.)
61	2943700.449	A	B	C	Frame
62	2944203005	A	B	C	Washer (8 req.)
63	2943710000	A	B	C	Screw (8 req.)
64	2944202007	A	B	C	Cap (8 req.)
65	2943700.084	A	B	C	Bag, misc. parts
66	2931875013	A	B	C	Cap, push button (3 req.)

BURNER & CONTROLS



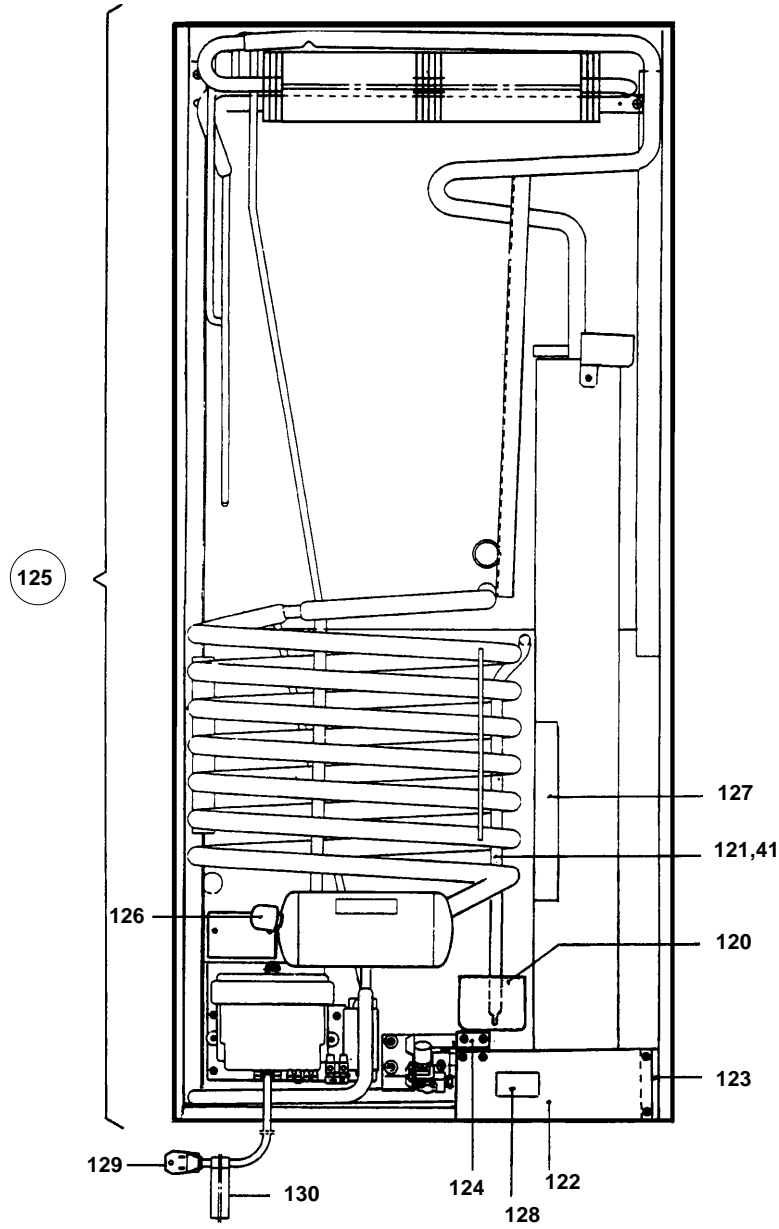
**MODELS - S1821, S1831**

<b>A</b>	= 921923081,	921923091
<b>B</b>	= 921928461,	921928471
<b>C</b>	= 921928481,	921928491

**BURNER & CONTROLS**

Index #	Part No.				Description
58	2931863019	A	B	—	Thermistor w/lead
	2931863043	—	—	C	Thermistor w/lead
70	0140207044	A	B	C	Nut
71	2007668052	A	B	C	Conductor, Electrode
72	7241287619	A	B	C	Screw, m4x8, zinc plated (3 req.)
73	7241289615	A	B	C	Screw, MRX, m4x10, zinc plated
74	2943298006	A	B	C	Valve, solenoid
75	2943286001	A	B	C	Nut lock (2 req.)
76	2943299004	A	B	C	Valve, gas shut-off
77	7345842012	A	B	C	Washer
78	2931916015	A	B	C	Elbow
79	2943285003	A	B	C	Bolt, U-
80	2930697020	A	B	C	Burner
81	2930379009	A	B	C	Electrode
82	7295221019	A	B	C	Screw, RXS, B4x6 ,5, zinc plated
83	2007419217	A	B	C	Jet, No. 58
84	2931822015	A	B	C	Retainer
85	2931824011	A	B	C	Nipple
86	2931825026	A	B	C	Nipple
87	2931826016	A	B	C	Thermocouple
88	2931827006	A	B	C	Label, 12V DC
89	2931842039	A	—	—	Circuit board
	2931843045	—	B	C	Circuit board
90	2931862011	A	B	C	Lead, circuit board
91	2931864017	A	B	C	Lead, gas valve
92	2931886010	A	B	C	Cover
93	2931913012	A	B	C	Burner housing
94	0169380003	A	B	C	Plug, test port
95	2931572016	A	B	C	Cover, burner
96	2931915017	A	B	C	Bracket, gas valve
97	2931858019	A	B	C	Cover, less decal
98	0173742164	A	B	C	Heater, 325w, 120v
99	0173757063	—	B	C	Heater, 215w, 12v
100	2930660010	A	B	C	Retainer
101	2007457001	A	B	C	Washer
102	2930463019	A	B	C	Terminal block
103	7295287408	A	B	C	Screw, RXS, B6x25, Stainless
104	0561014010	A	B	C	Anti-strain clip
105	7295285402	A	B	C	Screw, RXS, B6x19, stainless
106	2931132019	A	B	C	Reignitor
107	7295279405	A	B	C	Screw, RXS, B6x10 zinc plated
108	2930327008	A	B	C	Terminal rail
109	2007590066	A	B	C	Baffle
110	2007598010	A	B	C	Flue top
111	-----	A	—	—	Decal, 2-way
	-----	—	B	C	Decal, 3-way
112	-----	A	—	C	Decal, wire connection, 2-way
	-----	—	B	C	Decal, wire connection, 3-way
113	-----	—	B	C	Fuse, 35 amp
114	2943541009	A	B	C	Fuse, 3 amp
115	2943542001	A	B	C	Fuse, 5 amp

CABINET — REAR VIEW

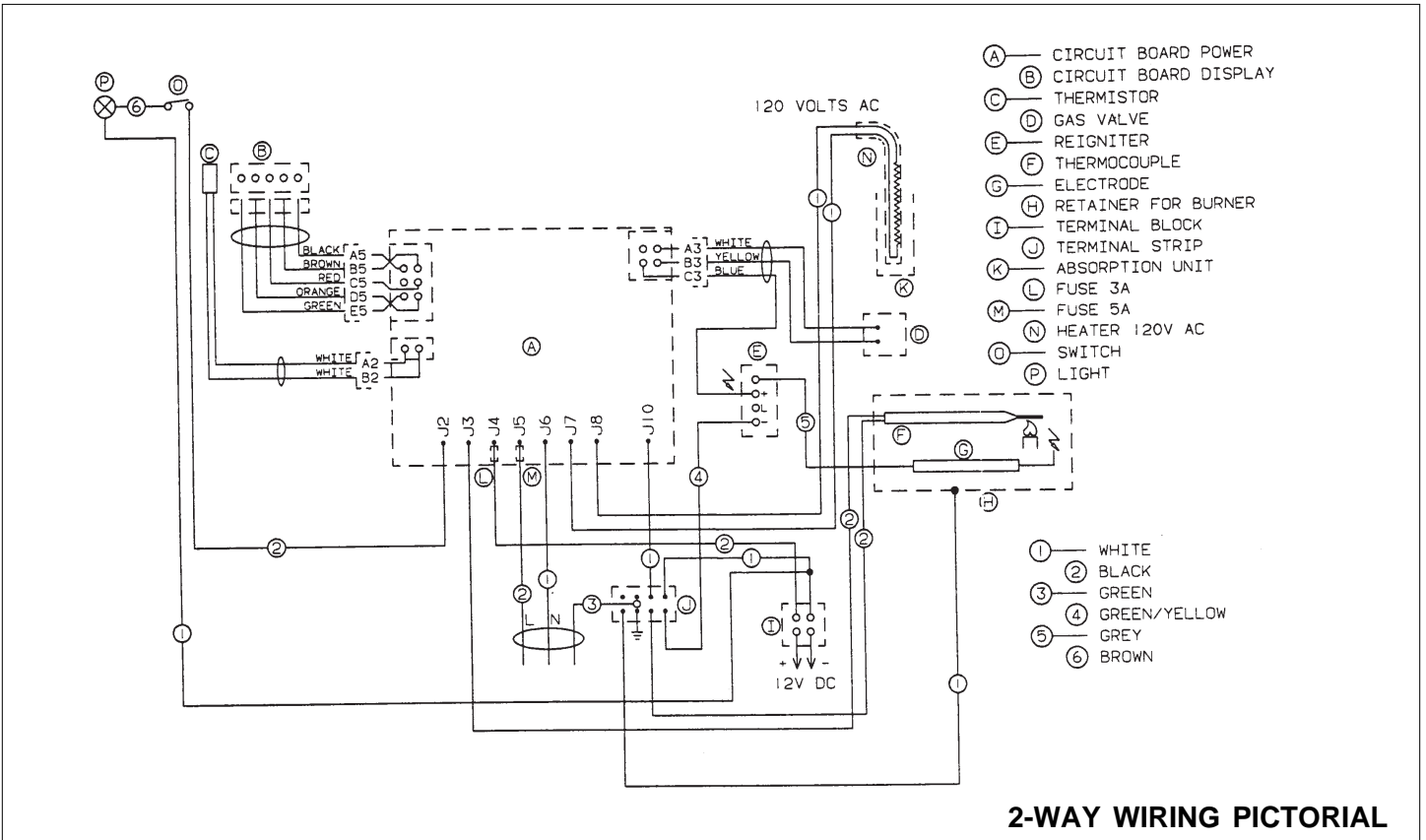


Index #	Part No.	Description
41	2943414009	Clamp (2 req.)
120	2943130001	Tray
121	2943362000	Hose, drain
122	2931800011	Protection plate
123	2931801019	Protection plate
124	2931802017	Bracket
125	2934904018	Cooling unit, 904
126	0173228008	Cap
127	2933557007	Cover, heating element
128	2931503003	Decal, "Installation clearances"
129	2002699060	Cord set
130	2002576003	Label



MODELS - S1821, S1831

WIRING DIAGRAM FOR MODELS S1821.000 & S1821.001



WIRING DIAGRAM FOR MODELS S1831.000 & S1831.001

