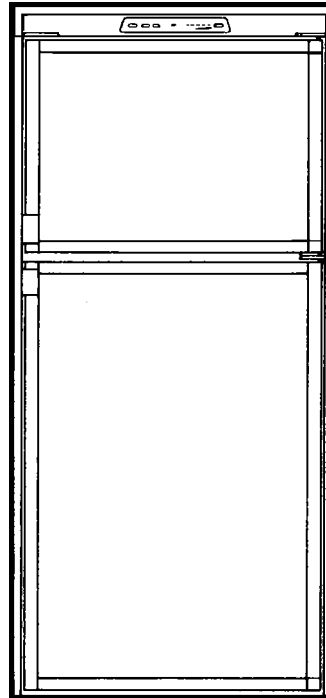




When ordering spare parts always state:
Product No. - Model No. - Quantity - Part Number
- Description
For electric details also:
Voltage - Wattage



SERVICE OFFICE
The Dometic Corp.
509 So. Poplar St.
LaGrange, IN 46761
(219) 463-4858

CANADA
Dometic Dist.
866 Langs Dr.
Cambridge, Ontario
(519) 653-4390

**For Service Center
Assistance Call:**
800-544-4881

	Product No.	Model	Voltage	Door	Country
A	921146028	RM4872	120V	LEFT	US,CA
B	921146030	RM4872	120V	RIGHT	US,CA
C	921146032	RM4873	12/120V	LEFT	US,CA
D	921146034	RM4873	12/120V	RIGHT	US,CA

PARTS LIST

**MODELS
RM4872
RM4873**

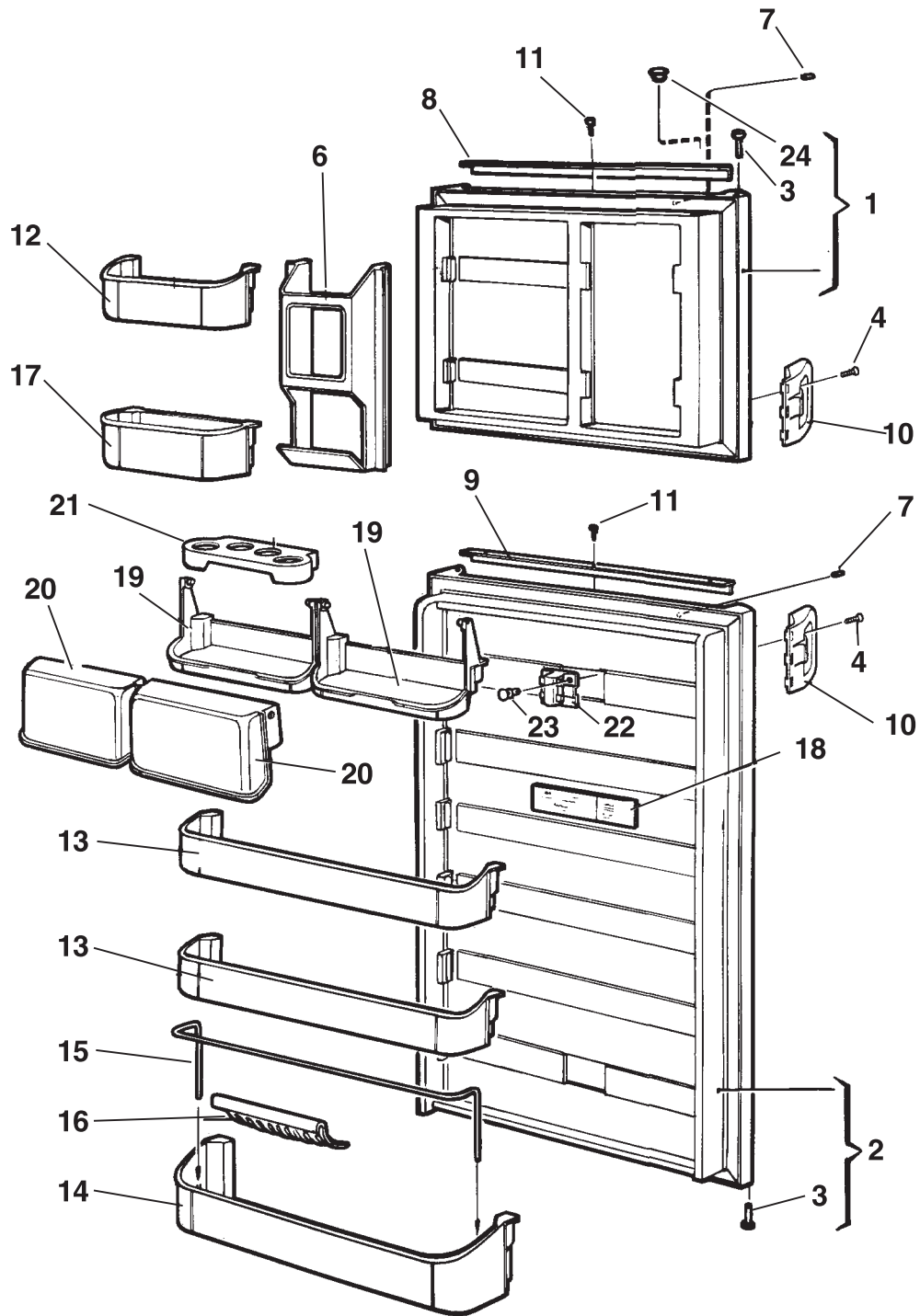
ALPHABETICAL INDEX

	Page	Index #
Cabinet, exterior components	7	25-48, 101
Cabinet, interior components	9	50-81
Cabinet, rear view	12	120-124
Control & Burner components	11	84-119,125
Door Asm.	5	1-24
Wiring Diagrams	13-14	— —

SPECIFICATIONS

MODEL	RM4872	RM4872	RM4873	RM4873
Prod. No.	921146028	921146030	921146032	921146034
Hinged	LH	RH	LH	RH
Gas				
BTU's	1500	1500	1500	1500
Jet Size	58	58	58	58
AC				
Watts	325	325	325	325
Ohms Resist.	44	44	44	44
Amps	2.7	2.7	2.7	2.7
DC				
Watts	— —	— —	215	215
Amps	— —	— —	18	18
Baffle				
Size	5-3/16" x 13/16"			
Dist.above Burner	1-7/8"			
Crispers	2	2	2	2
Ice Cube Trays	3	3	3	3
Magic Fingers	2=1 row	2=1 row	2=1 row	2=1 row

DOOR ASSEMBLY

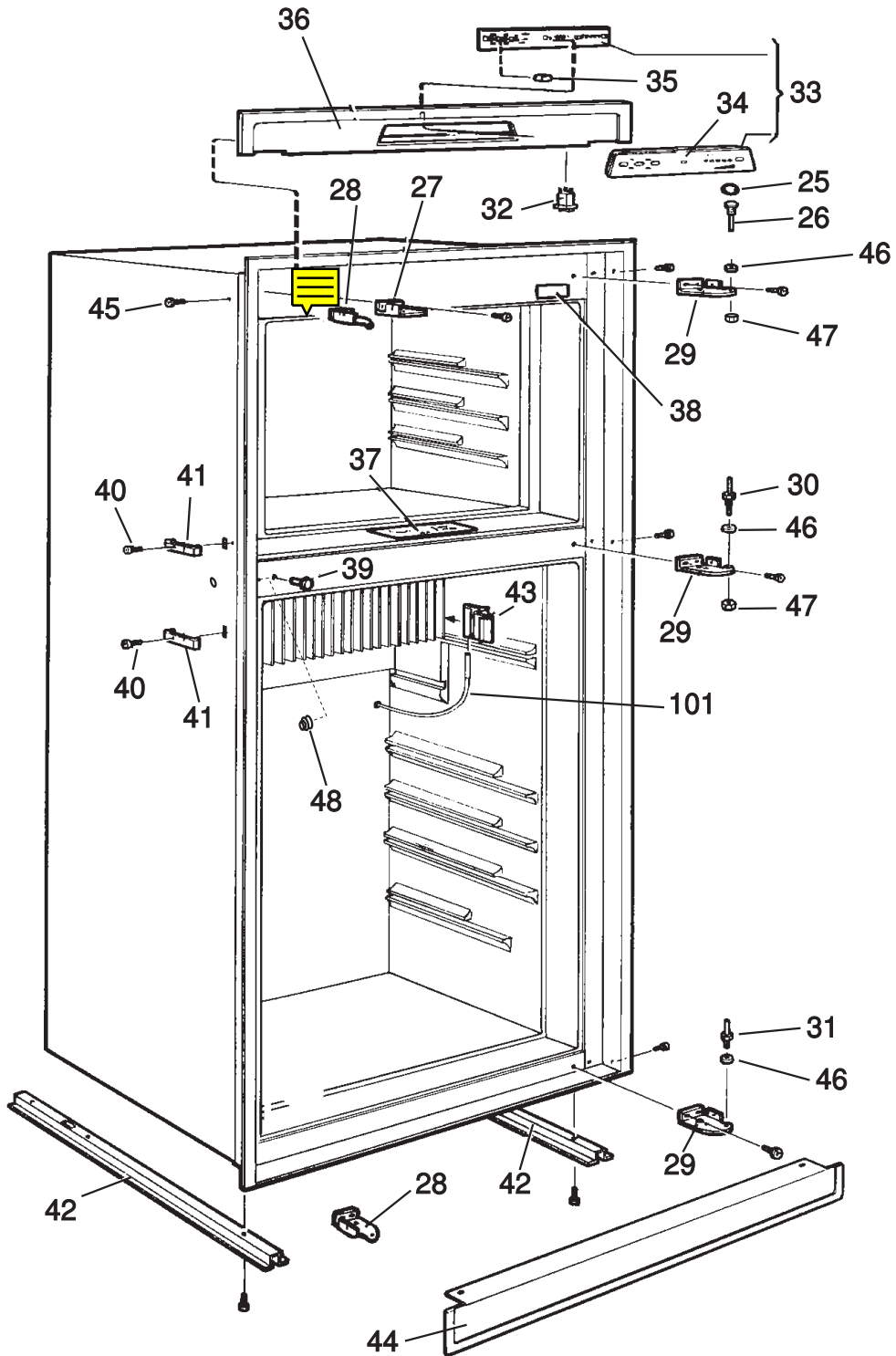


DOOR ASSEMBLY

	Model #	Prod. #	
A	= RM4872	(921146028)	LH
B	= RM4872	(921146030)	RH
C	= RM4873	(921146032)	LH
D	= RM4873	(921146034)	RH

Index #	Part No.	921146028	921146030	921146032	921146034	Description
		A	B	C	D	
1	2932561059	A	-	C	-	Door, upper LH
	2932561067	-	B	-	D	Door, upper RH
2	2932562032	A	-	C	-	Door, lower LH
	2932562040	-	B	-	D	Door, lower RH
3	2931171041	A	B	C	D	Hinge, bushing
4	2801048014	A	B	C	D	Screw, PT 5 x 20
6	2932578012	A	B	C	D	Retainer
7	2932588011	A	B	C	D	Stop
8	2932642016	A	B	C	D	Decoration (3 req.)
9	2932642065	A	B	C	D	Decoration, strip, w/logo
10	2932852011	A	B	C	D	Handle
11	7295225010	A	B	C	D	Screw, RXS, B4x10, zincplated
12	2932577014	A	B	C	D	Shelf, door, upper
13	2932576024	A	B	C	D	Shelf, door, 2 pieces
14	2932575026	A	B	C	D	Shelf, door
15	2932585033	A	B	C	D	Rack
16	2932658012	A	B	C	D	Holder, bottle, 2 pieces
17	2932579010	A	B	C	D	Container, ice
18	2932722008	A	B	C	D	Label
19	2932580018	A	B	C	D	Butter compartment
20	2932581016	A	B	C	D	Cover, butter compartment
21	2932582014	A	B	C	D	Egg compartment
22	2932634013	A	B	C	D	Bracket
23	2932679018	A	B	C	D	Rivet
24	2932740018	A	B	C	D	Plug

CABINET EXTERIOR COMPONENTS



CABINET EXTERIOR COMPONENTS

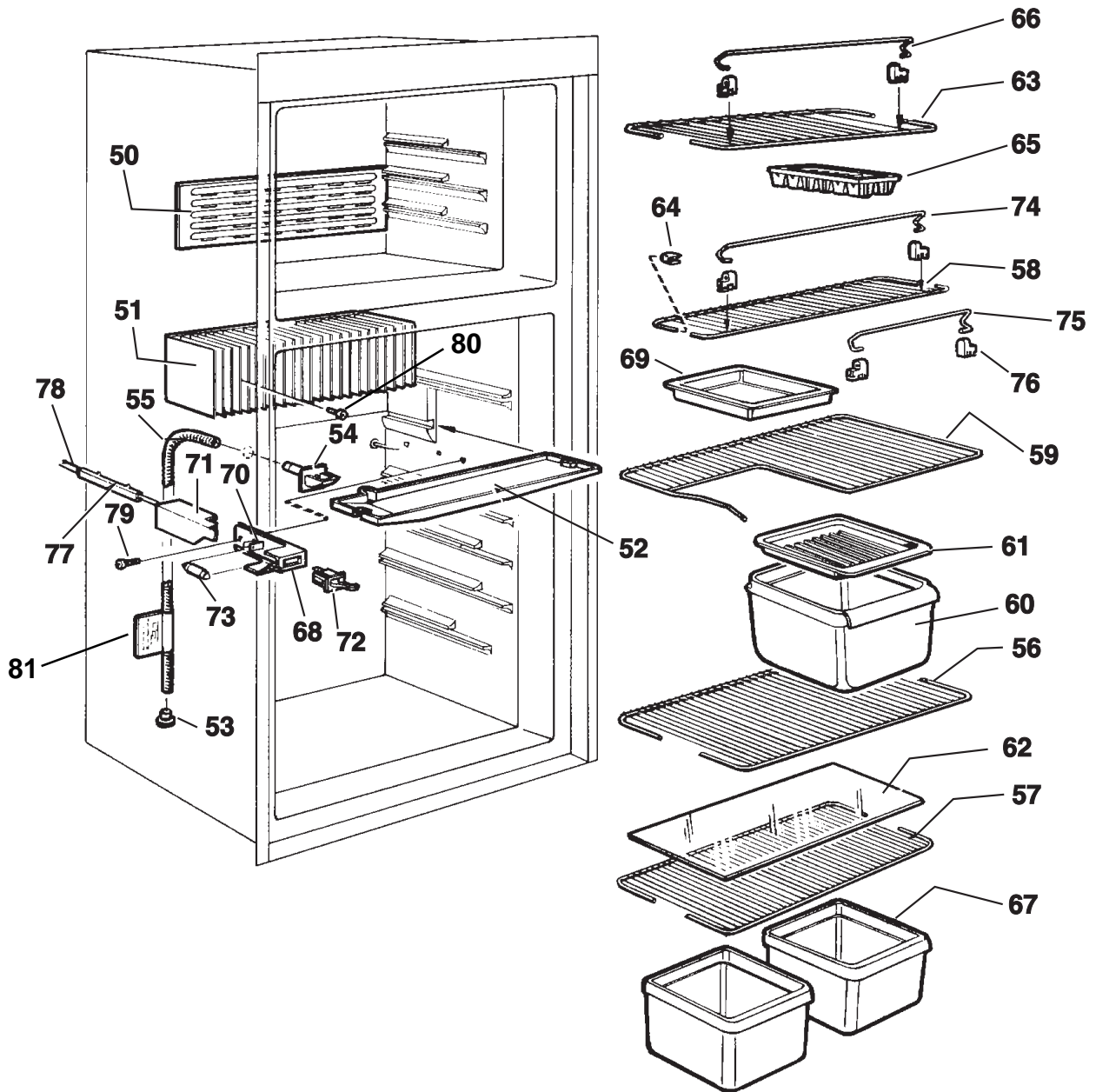
	Model #	Prod. #
A	= RM4872	(921146028) LH
B	= RM4872	(921146030) RH
C	= RM4873	(921146032) LH
D	= RM4873	(921146034) RH

Index #	Part No.	921146028	921146030	921146032	921146034	Description
		A	B	C	D	
25	2932736016	A	B	C	D	Plug
26	2932647015	A	B	C	D	Hinge pin, upper
27	2932644012	-	B	-	D	Bracket RH
	2932644020	A	-	C	-	Bracket LH
28	2932643022	A	-	C	-	Hinge LH upper & lower (2 req.)
29	2932643014	A	B	C	D	Hinge RH (3 req.); LH middle (1 req.)
30	2932648013	A	B	C	D	Hinge pin, middle
31	2932649011	A	B	C	D	Hinge pin, lower
32	2932680016	A	B	C	D	Switch, door
33	2932697101	-	-	C	D	Circuit board, AES asm., 3-way
	2932697085	A	B	-	-	Circuit board, AES, asm. 2-way
34	0955024534	A	B	-	-	Decoration, 2-way
	0955024542	-	-	C	D	Decoration, 3-way
35	0955024138	A	B	C	D	Button
36	2932641018	A	B	C	D	Front
37	2932698000	A	B	-	-	Sign plate, 2-way
	2932686005	-	-	C	D	Sign plate, 3-way
38	2932165000	A	B	C	D	Label
39	2932742014	A	B	C	D	Plug
40	7295275015	A	B	C	D	Screw, RXS, B6x10, zincplated
41	2932855014	A	B	C	D	Catch lever
42	2932660018	A	B	C	D	Runner
43	2931919	A	B	C	D	Retainer probe
44	2932690023	A	B	C	D	Base front
45	7241283014	A	B	C	D	Screw
46	7341153018	A	B	C	D	Washer
47	7314316014	A	B	C	D	Nut
48	2930740044	A	B	C	D	Plug
101	2931863035	A	B	C	D	Thermistor w/lead, 44"

CUSTOMER OPTION:

2932750041	-	B	-	D	Kit, reversing, door (right to left)
2932750051	A	-	C	-	Kit, reversing, door (left to right)

CABINET INTERIOR COMPONENTS

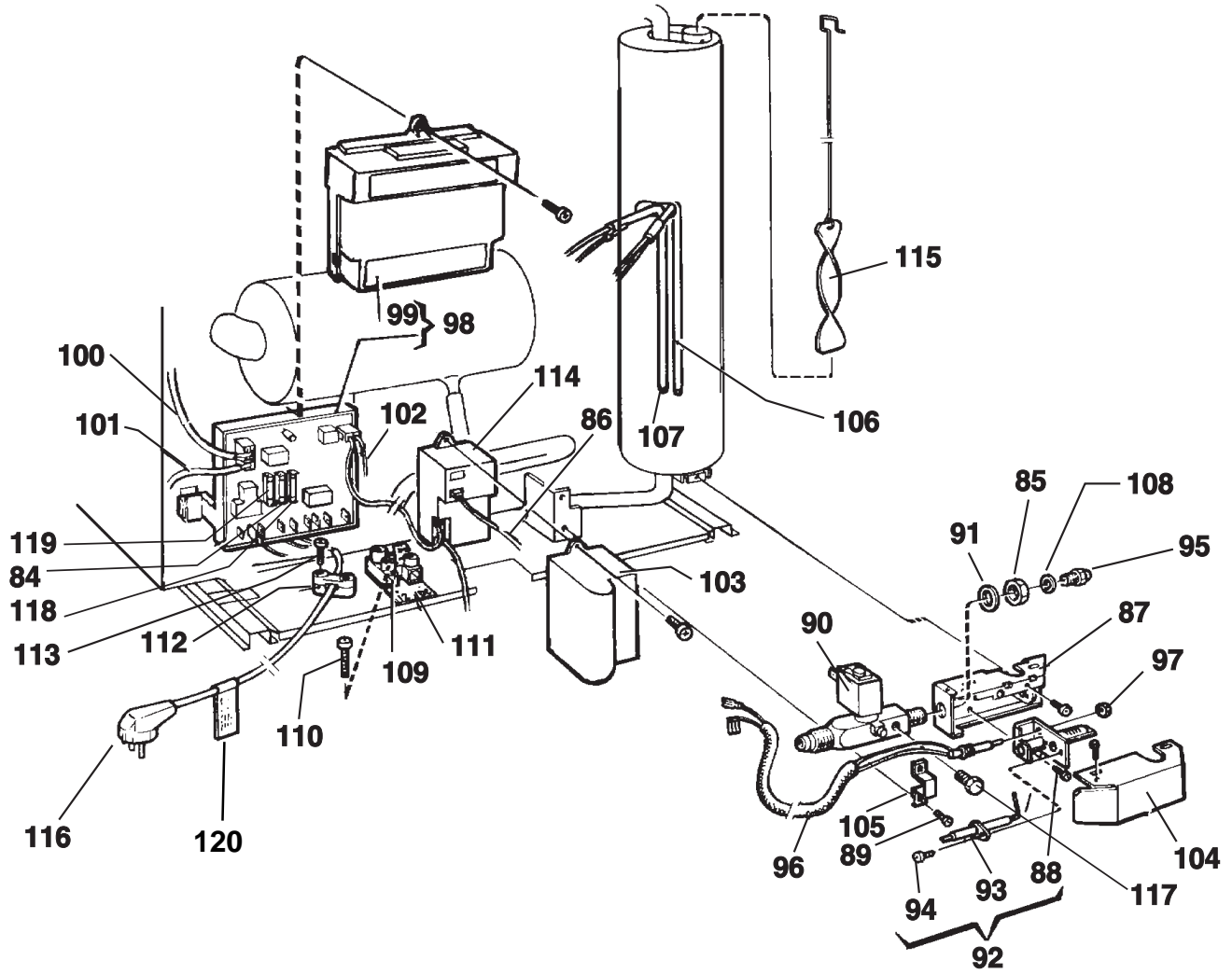


CABINET INTERIOR COMPONENTS

	Model #	Prod. #	
A	= RM4872	(921146028)	LH
B	= RM4872	(921146030)	RH
C	= RM4873	(921146032)	LH
D	= RM4873	(921146034)	RH

Index #	Part No.	921146028	921146030	921146032	921146034	Description
		A	B	C	D	
50	2932728013	A	B	C	D	Coverplate
51	2932630011	A	B	C	D	Cooling fins
52	2932624014	A	B	C	D	Drip tray
53	2932115013	A	B	C	D	Plug
54	2932635010	A	B	C	D	Drain
55	2932749019	A	B	C	D	Hose, drainage
56	2932625029	A	B	C	D	Shelf
57	2932625045	A	B	C	D	Shelf
58	2932625086	A	B	C	D	Shelf
59	2932626027	A	B	C	D	Shelf
60	2932621036	A	B	C	D	Crisper
61	2932622018	A	B	C	D	Lid
62	2931117085	A	B	C	D	Shelf, plastic
63	2932627025	A	B	C	D	Shelf
64	2932668011	A	B	C	D	Shelf support
65	2930400003	A	B	C	D	Ice tray, 3 pieces
66	2007337146	A	B	C	D	Rack
67	2932621028	A	B	C	D	Crisper, 2 pieces
68	2932523018	A	B	C	D	Lamp socket
69	2932636018	A	B	C	D	Tray, shelf
70	2932108018	A	B	C	D	Contact pin
71	2932106012	A	B	C	D	Lamp cover
72	2932665017	A	B	C	D	Switch
73	2007290006	A	B	C	D	Lamp, 10W, 12V
74	2007337138	A	B	C	D	Rack, 2 pieces
75	2007337120	A	B	C	D	Rack
76	2930693045	A	B	C	D	Retainer
77	2004056046	A	B	C	D	Cover
78	2954432015	A	B	C	D	Conductor
79	7295283407	A	B	C	D	Screw, RXS, B6x16, FN
80	2801017043	A	B	C	D	Screw
81	2932732007	A	B	C	D	Label

CONTROL & BURNER COMPONENTS

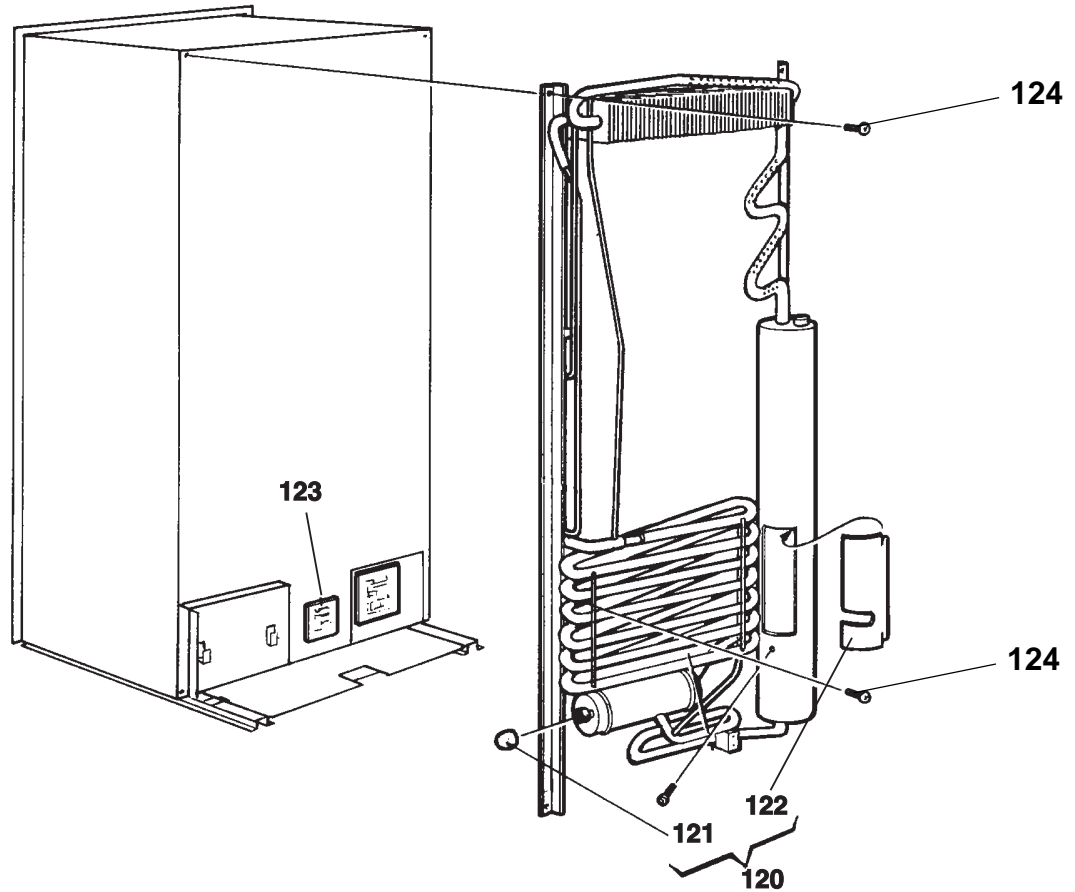


CONTROL & BURNER COMPONENTS

	Model #	Prod. #
A	= RM4872	(921146028) LH
B	= RM4872	(921146030) RH
C	= RM4873	(921146032) LH
D	= RM4873	(921146034) RH

Index #	Part No.	921146028	921146030	921146032	921146034	Description
		A	B	C	D	
84	0955036124	—	—	C	D	Fuse, 35-amp
85	0140207044	A	B	C	D	Nut
86	See Index #93	A	B	C	D	Conductor, electrode
87	2932603018	A	B	C	D	Burner housing
88	7241287619	A	B	C	D	Screw, m4x8, zincplated
89	7241289615	A	B	C	D	Screw, MRX, M4x10, zincplated
90	2932615012	A	B	C	D	Valve, solenoid
91	7345842012	A	B	C	D	Washer
92	2930697079	A	B	C	D	Burner with conductor
93	2932781012	A	B	C	D	Electrode with conductor
94	7295221019	A	B	C	D	Screw, RXS, B4x6, 5, zincplated
95	2007419217	A	B	C	D	Jet, No. 58
96	2932052018	A	B	C	D	Thermocouple
97	2801043015	A	B	C	D	Nut
98	2932695014	A	B	—	—	Circuit board, 2-Way w/cvr
	2931843037	—	—	C	D	Circuit board, 3-way w/cvr
99	2931858019	A	B	C	D	Cover
100	2931862037	A	B	C	D	Conductor, circuit board
101	2931863035	A	B	C	D	Conductor, thermistor, length 44"
102	2954437030	A	B	C	D	Conductor, gas valve
103	2931886010	A	B	C	D	Cover
104	2932661016	A	B	C	D	Cover
105	2932662014	A	B	C	D	Bracket
106	0173742289	A	B	C	D	Heater, 325w,120V
107	0173757089	—	—	C	D	Heater, 215W, 12V
108	2007457001	A	B	C	D	Washer
109	2930463019	A	B	C	D	Terminal block
110	7295287408	A	B	C	D	Screw, RXS,B6x25, stainless
111	2932687011	A	B	C	D	Sign plate, 12V
112	0561014010	A	B	C	D	Anti-strain clip
113	7295285402	A	B	C	D	Screw, RXS, B6x19, stainless
114	2931132019	A	B	C	D	Spark ignition device
115	2932667047	A	B	C	D	Baffle
116	2002699060	A	B	C	D	Cord, power 120VAC
117	0169380003	A	B	C	D	Plug, test port
118	2943542007	A	B	C	D	Fuse, 5-amp
119	2943541009	A	B	C	D	Fuse, 3-amp
125	2932733005	A	B	C	D	Label

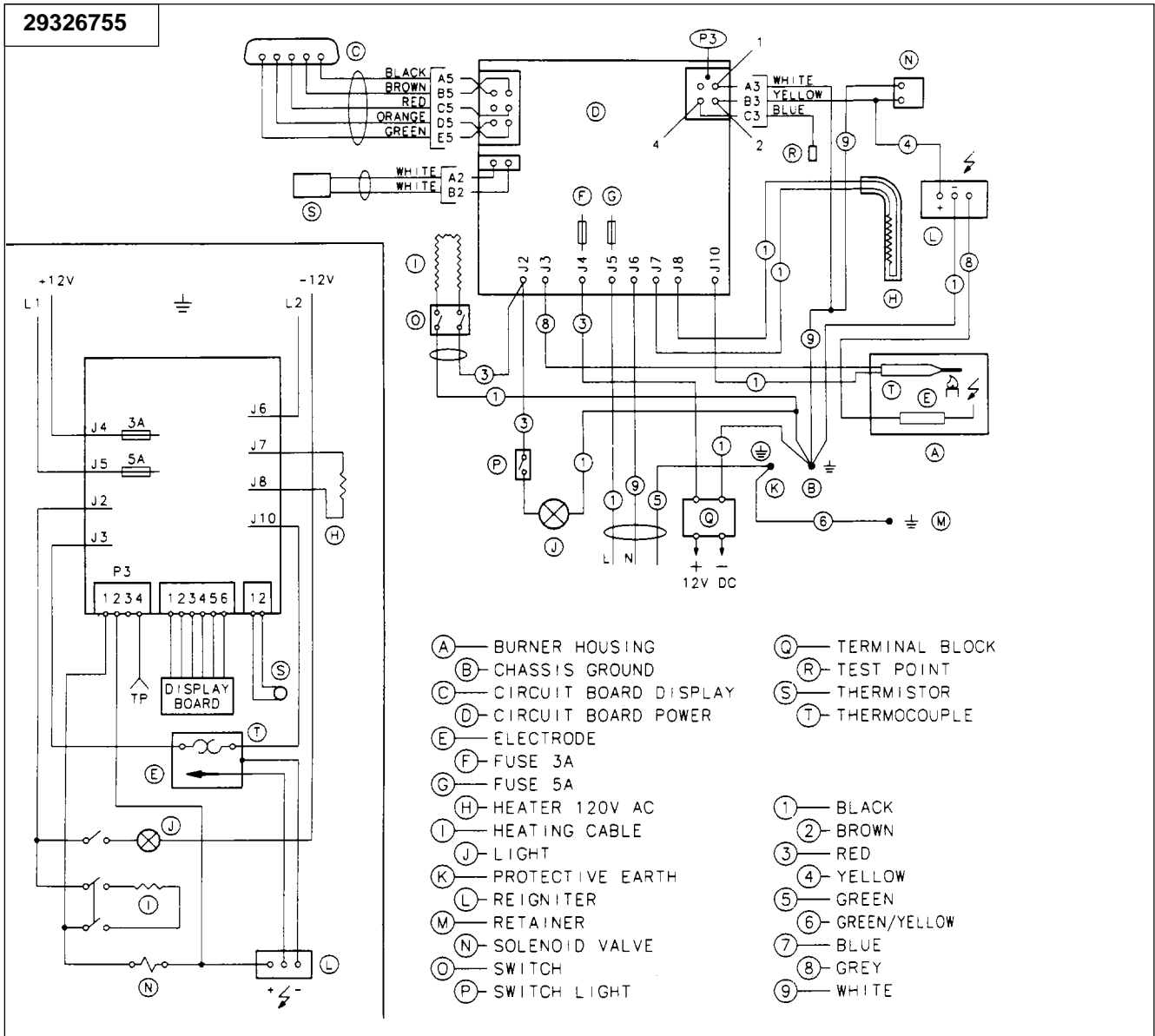
CABINET, REAR VIEW



	Model #	Prod. #	
A	= RM4872	(921146028)	LH
B	= RM4872	(921146030)	RH
C	= RM4873	(921146032)	LH
D	= RM4873	(921146034)	RH

Index #	Part No.	921146028	921146030	921146032	921146034	Description
		A	B	C	D	
120	2934805090	A	B	C	D	Cooling unit
121	0173228008	A	B	C	D	Cap
122	2933557007	A	B	C	D	Cover
123	2932723006	A	B	C	D	Label
124	2801023025	A	B	C	D	Screw

WIRING DIAGRAM FOR MODELS RM4872 Prod. No. 921146028 & 921146030



WIRING DIAGRAM FOR MODELS RM4873 Prod. No. 921146032 & 921146034

