



The Sign of Comfort

When ordering parts, always state:
MODEL NO. - PRODUCT NO. - QUANTITY -
PART NUMBER - DESCRIPTION
For Electric Details also state:
VOLTAGE - WATTAGE

REFRIGERATOR RM3862 MODEL SERIES

USA
SERVICE OFFICE
Dometic Corporation
2320 Industrial Parkway
Elkhart, IN 46516
574-294-2511

CANADA
Dometic Distribution
866 Langs Drive
Cambridge, Ontario
CANADA N3H 2N7
519-653-4390

**For Service Center
Assistance Call:**
800-544-4881

Product Number	Model	Voltage	Refrig. Frame Color	Door Style	Door/Door Trim Color	Market	Brand
921146109	RM3862	120	Black	Surround	Black	USA, Can	Dometic
921146110	RM3862	120	Black	Surround	Black	USA, Can	Dometic
921146137	RM3862	120	Black	Surround	Black	USA, Can	Dometic
921146138	RM3862	120	Black	Surround	Black	USA, Can	Dometic
921146157	RM3862	120	Black	Surround	Black	USA, Can	Dometic
921146158	RM3862	120	Black	Surround	Black	USA, Can	Dometic

PARTS LIST

**MODEL
RM3862
Series**

REVISION:
Form No. 3308631.021 11/05
(Replaces 3308631.013)
©2005 Dometic Corporation
LaGrange, IN 46761

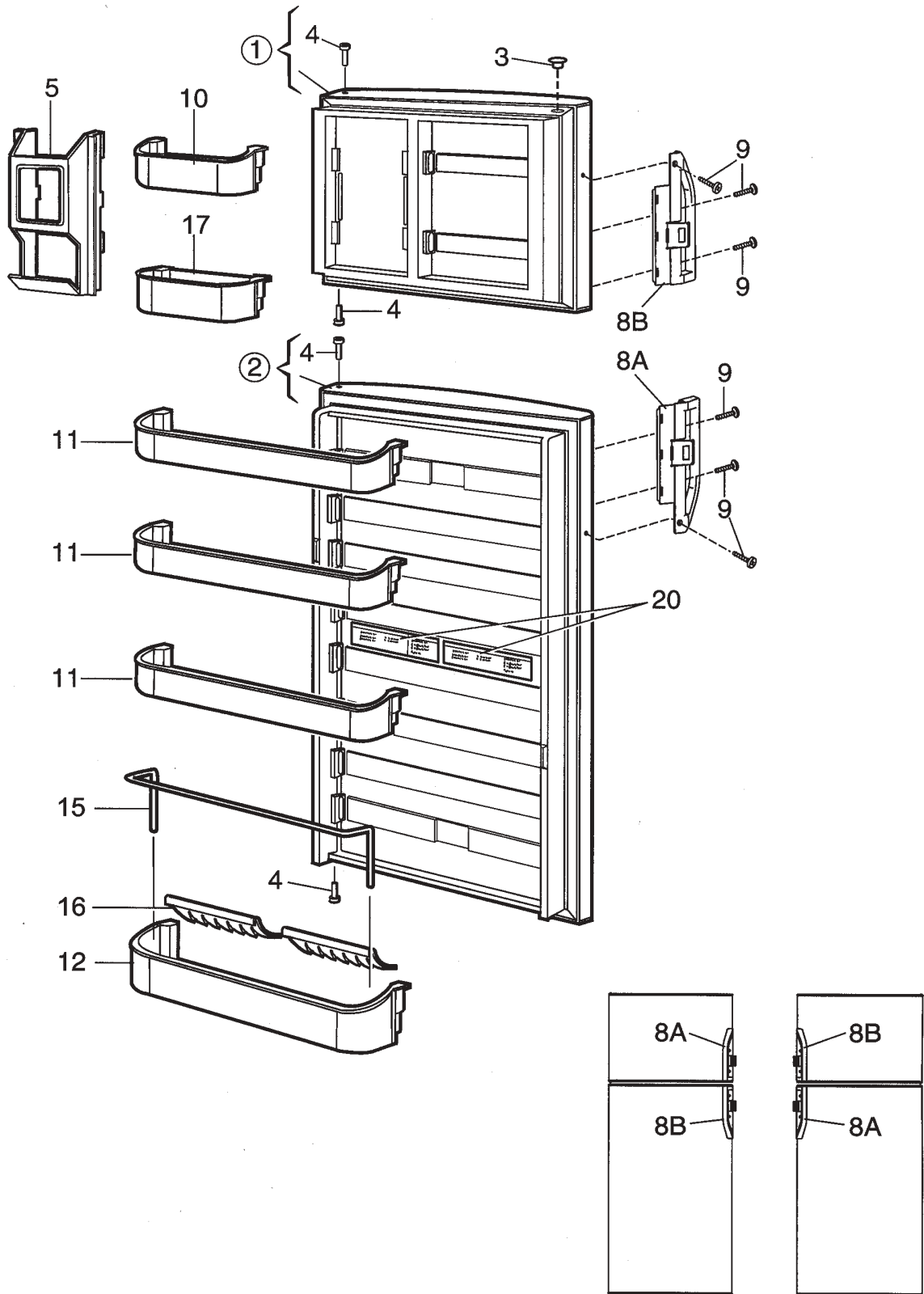
ALPHABETICAL INDEX

	Page#	Index#
Cabinet, exterior components	6-7	1-531
Cabinet, interior components	8-9	1-46
Cabinet, rear view	12-13	100-145
Control & Burner Components	10-11	1-253
Door Assm.	4-5	1-20
Wiring Diagram	14	—

SPECIFICATIONS

Model	
Product Number*	921146109, 921146110 921146135, 921146136 921146157, 921146158
Energy Source**	120 VAC, Gas
AC Heating Element	
Amperage	2.7
Ohm Resis. +/- 10%	44
Wattage	325
BTU's Gas Burner	1500
Jet Size	#58
Flue Baffle	
Size	5-1/8" x 13/16"
Position Above Burner	1-7/8"
Ice Trays	0
Crispers	2
Bottle Holders	2
Climate Control Heater	
Amperage	0.5
Ohm Resis. +/- 10%	24
Wattage	6
* Product number located on refrigerator data plate.	
** 12 volt DC power is required to operate the refrigerator controls on all models.	

Door Assembly



Door Assembly

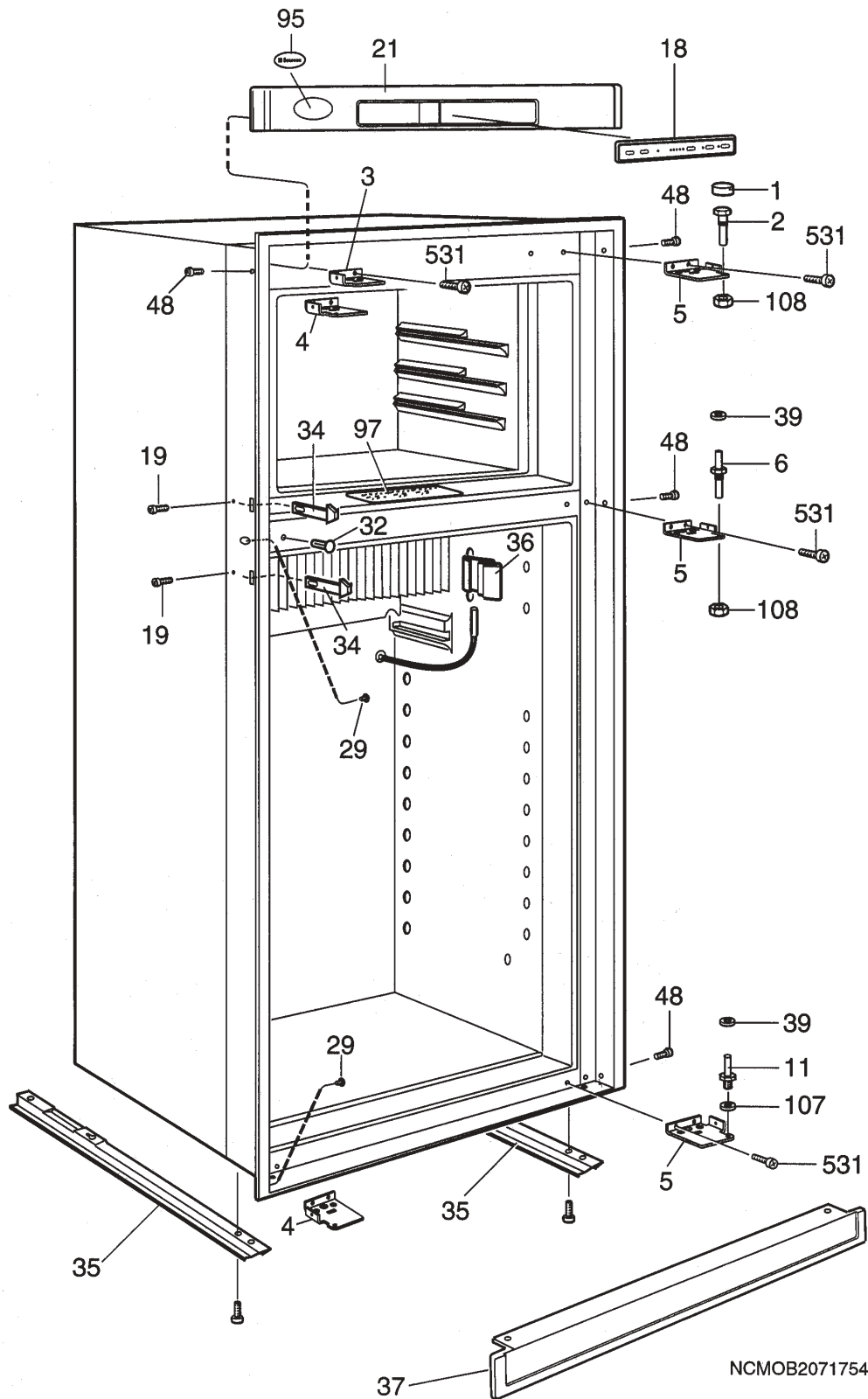
A=921146109 RM3862,
B=921146110 RM3862,

C=921146135 RM3862,
D=921146136 RM3862.

E=921146157 RM3862
F=921146158 RM3862

Index								
No.	Part No.	A	B	C	D	E	F	Description
1	3850539010	A	-	C	-	E	-	Freezer door, left, black
	3850539028	-	B	-	D	-	F	Freezer door, right, black
2	3850538012	A	-	C	-	E	-	Refrigerator door, left, black
	3850538020	-	B	-	D	-	F	Refrigerator door, right, black
3	2932740018	A	B	C	D	E	F	Covering washer
4	3850386016	A	B	C	D	E	F	Hinge bushing, black
5	2932578020	A	B	C	D	-	-	Holder, White
	2932578038	-	-	-	-	E	F	Holder, Transparent
8A	3850558010	A	B	C	D	E	F	Handle, black
8B	3850558028	A	B	C	D	E	F	Handle, black
9	3858040029	A	B	C	D	E	F	Screw, black, ELM 5 x 10
10	2932577014	A	B	C	D	-	-	Door shelf, White
	2932577048	-	-	-	-	E	F	Door Shelf, Transparent
11	2932576024	A	B	C	D	-	-	Door shelf, White
	2932576073	-	-	-	-	E	F	Door Shelf, Transparent
12	2932575026	A	B	C	D	-	-	Bottle shelf, White
	2932575067	-	-	-	-	E	F	Bottle, Shelf, Transparent
15	2932585033	A	B	C	D	E	F	Rack
16	2932658012	A	B	C	D	E	F	Bottle holder
17	2932579010	A	B	C	D	-	-	Ice container, White
	2932579028	-	-	-	-	E	F	Door Shelf, Transparent
20	2932722008	A	B	C	D	E	F	Label
	3850581004	A	B	C	D	E	F	Label, French

Cabinet, Exterior Components



NCMOB2071754

Cabinet, Exterior Components

A=921146109 RM3862,
B=921146110 RM3862,

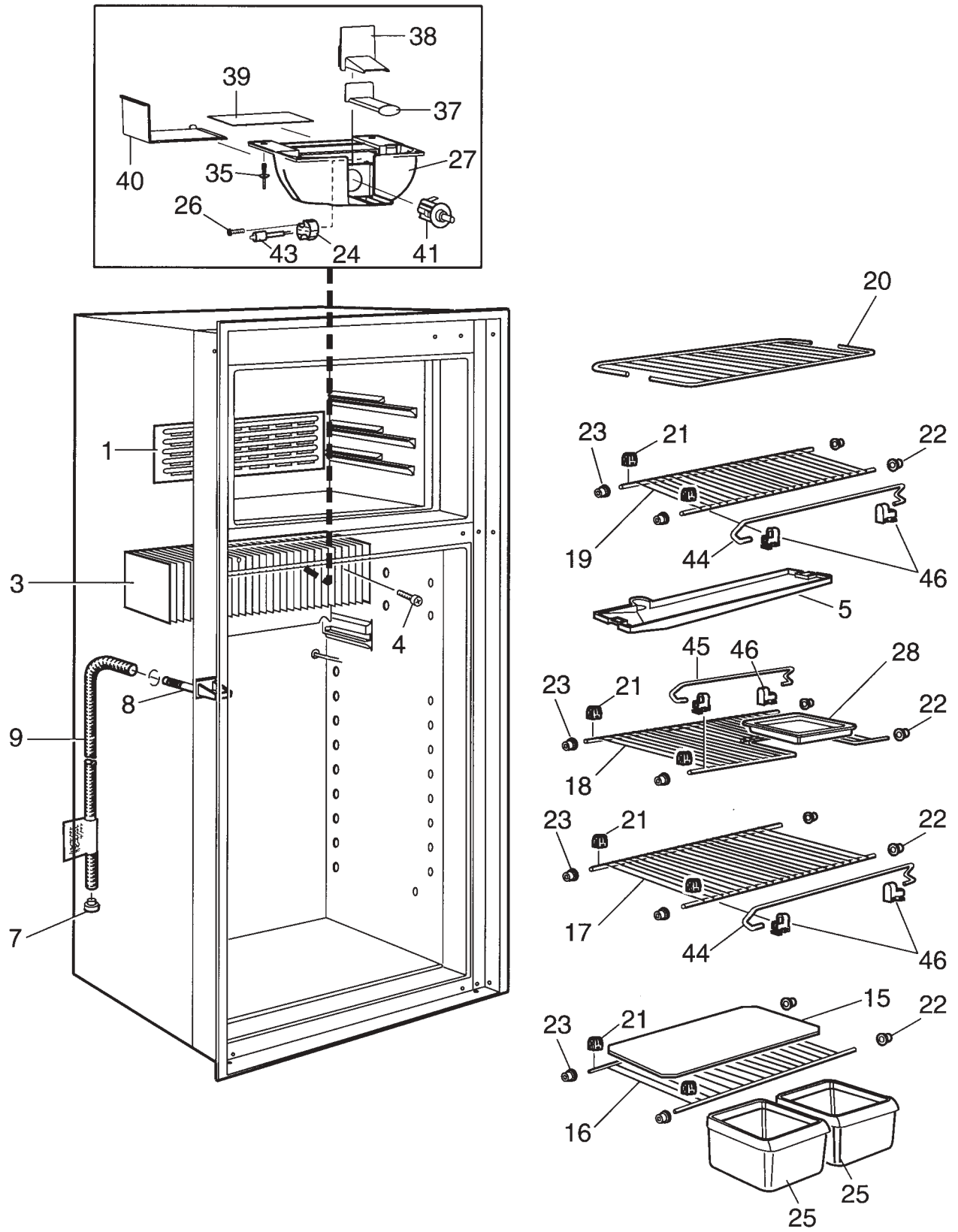
C=921146135 RM3862,
D=921146136 RM3862.

E=921146157 RM3862
F=921146158 RM3862

Index

No.	Part No.	A	B	C	D	E	F	Description
1	2932736081	A	B	C	D	E	F	Cover
2	3850400015	A	B	C	D	E	F	Hinge pin, upper
3	2932644046	A	-	C	-	E	-	Bracket, right, black
	2932644038	-	B	-	D	-	F	Bracket, left, black
4	3850528013	A	-	C	-	E	-	Hinge, black, up to serial number 514000000
	3850528039	-	-	-	-	E	-	Hinge, black, after serial number 515000000
5	3850528021	A	B	C	D	E	F	Hinge, black, up to serial number 514000000
	3850528047	-	-	-	-	E	F	Hinge, black, after serial number 515000000
6	3850529011	A	B	C	D	E	F	Hinge pin, middle, black
11	3850399027	A	B	C	D	E	F	Hinge pin, lower
18	3850408018	A	B	C	D	E	F	Panel , display board, black
19	3858002052	A	B	C	D	E	F	Screw, zinc, RXS B6 x 6.5
21	3850520010	A	B	C	D	E	F	Front, black
29	2930740077	A	B	C	D	E	F	Cover, black
32	3850585039	A	B	C	D	E	F	Plug, black
34	3850527015	A	B	C	D	E	F	Fastening bow
35	2932660018	A	B	C	D	E	F	Rail
36	2932456011	A	B	C	D	E	F	Bracket, thermistor
37	2932690049	A	B	C	D	E	F	Base cover, black
39	3858010022	A	B	C	D	E	F	Washer, black, 5.5 x 12 x 1
48	3858004058	A	B	C	D	E	F	Screw, zinc MRX M4 x 4
95	3850385018	A	B	C	D	E	F	Name plate
97	3850411004	A	B	C	D	E	F	Insruction plate
107	3858010113	A	B	C	D	E	F	Washer, zinc, BRB 6.4 x 12.5
108	3858009057	A	B	C	D	E	F	Nut, black, ML6 M6
531	3858039047	A	B	C	D	E	F	Screw, zinc, MRX M4 x 10

Cabinet, Interior Components



NCMOD2061263

Cabinet, Interior Components

A=921146109 RM3862, C=921146135 RM3862, E=921146157 RM3862
 B=921146110 RM3862, D=921146136 RM3862. F=921146158 RM3862

Index

No.	Part No.	A	B	C	D	E	F	Description
1	2932728013	A	B	C	D	E	F	Cover plate
3	2932630011	A	B	C	D	E	F	Cooling flange
4	3858036019	A	B	C	D	E	F	Screw, zinc, KFXS B10 x 38
5	2932624014	A	B	C	D	E	F	Evaporation tray
7	2932115013	A	B	C	D	E	F	Discharge pipe, plug
8	2932635010	A	B	C	D	E	F	Drain
9	2932749019	A	B	C	D	E	F	Drain hose
15	2931117176	A	B	C	D	E	F	Shelf, plastic
16	3850324025	A	B	C	D	E	F	Shelf
17	3850324017	A	B	C	D	E	F	Shelf
18	3850325014	A	B	C	D	E	F	Shelf
19	3850324033	A	B	C	D	E	F	Shelf
20	2932627025	A	B	C	D	E	F	Shelf
21	2932102011	A	B	C	D	E	F	Shelf support
22	2932101013	A	B	C	D	E	F	Plug
23	2932103019	A	B	C	D	E	F	Plug
24	3850454012	A	B	C	D	E	F	Lamp holder
25	2932621028	A	B	C	D	-	-	Crisper, White
	2932621093	-	-	-	-	E	F	Chrisper, Transparent
26	3858006046	A	B	C	D	E	F	Screw, PT 30 x 12
27	3850531017	A	B	C	D	E	F	Lamp housing
28	2932636018	A	B	C	D	E	F	Box
35	0165521030	A	B	C	D	E	F	Expansion rivet
37	3850534011	A	B	C	D	E	F	Push rod
38	3850535018	A	B	C	D	E	F	Holder, push rod
39	3850533013	A	B	C	D	E	F	Reflector
40	3850532015	A	B	C	D	E	F	Lamp cover
41	3850456017	A	B	C	D	E	F	Switch
43	3850455019	A	B	C	D	E	F	Lamp, halogen G4, 12V, 10W
44	2007337211	A	B	C	D	E	F	Rack
45	2007337120	A	B	C	D	E	F	Rack
46	2930693045	A	B	C	D	E	F	Holder

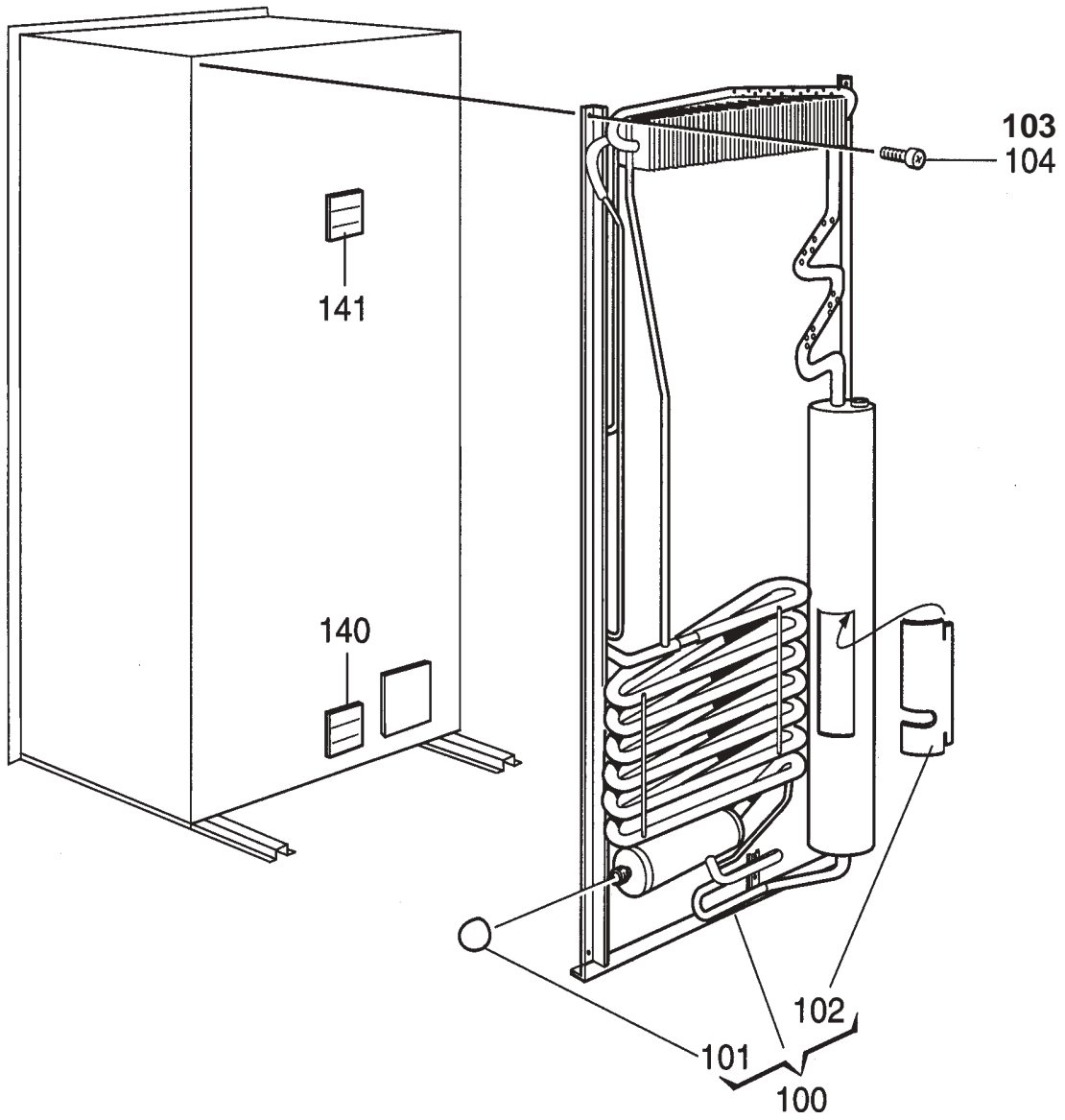
Control & Burner Components

A=921146109 RM3862, C=921146135 RM3862, E=921146157 RM3862
 B=921146110 RM3862, D=921146136 RM3862. F=921146158 RM3862

Index

No.	Part No.	A	B	C	D	E	F	Description
1	0140207044	A	B	C	D	E	F	Nut
10	2932603018	A	B	C	D	E	F	Burner housing
17	3858039039	A	B	C	D	E	F	Screw, zinc, MRX M4 x 8
18	3858039047	A	B	C	D	E	F	Screw, zinc, MRX M4 x 10
19	3858002144	A	B	C	D	E	F	Screw, zinc, RXS B6 x 9.5
20	2932615012	A	B	C	D	E	F	Solenoid valve
21	3858002151	A	B	C	D	E	F	Screw, zinc, RXS B6 x 13
22	3858005014	A	B	C	D	E	F	Screw, zinc, RXK B6 x 9.5
25	3858010071	A	B	C	D	E	F	Washer, 12.5 x 18.5 x 1
32	2930697079	A	B	C	D	E	F	Burner w/conductor
33	2932781012	A	B	C	D	E	F	Electrode w/conductor
38	2007419217	A	B	C	D	E	F	Jet, #58
43	2932052018	A	B	C	D	E	F	Thermocouple
44	2801043015	A	B	C	D	E	F	Nut
45	3850415013	A	B	C	D	E	F	Power module, universal
47	2954542037	A	B	C	D	E	F	Conductor, PCB
48	2931863035	A	B	C	D	E	F	Conductor, thermistor
49	2954539017	A	B	C	D	E	F	Conductor, solenoid valve
50	2931886010	A	B	C	D	E	F	Cover
53	2932661016	A	B	C	D	E	F	Cover
55	2932662014	A	B	C	D	E	F	Bracket
68	0173768037	A	B	C	D	E	F	Heater, 325W, 120V
70	2007457001	A	B	C	D	E	F	Washer, .5mm
84	3858022019	A	B	C	D	E	F	Terminal block
85	3858002185	A	B	C	D	E	F	Screw, zinc, RXS B6 x 25
91	3858002177	A	B	C	D	E	F	Screw, zinc, RXS BS x 19
95	2931132027	A	B	C	D	E	F	Spark generator
113	2932733005	A	B	C	D	E	F	Label
115	2932667047	A	B	C	D	E	F	Flue baffle
150	3850337019	A	B	C	D	E	F	Bracket
151	0561014010	A	B	C	D	E	F	Tension relief
152	3850377015	A	B	C	D	E	F	Retainer, solenoid valve
153	3858018017	A	B	C	D	E	F	Screw, zinc M5 x 25
250	3858004033	-	-	C	D	E	F	Screw, zinc MRX M4 x 16
251	3858011012	-	-	C	D	E	F	Lock washer zinc 433 x 8
252	3858009016	-	-	C	D	E	F	Hexigon nut, zinc M4 x 3.2
253	3858028024	-	-	C	D	E	F	Lock nut zinc M4

Cabinet, Rear View



NCMOE2071023

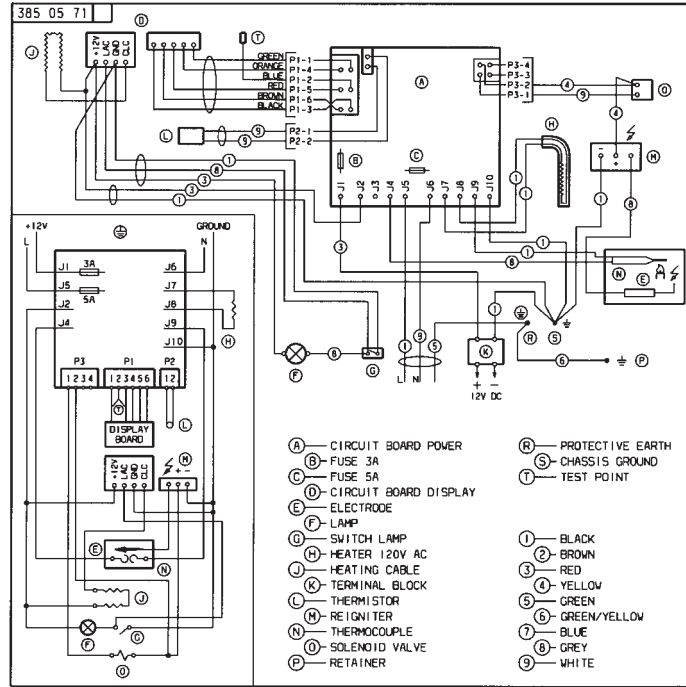
Cabinet, Rear View

A=921146109 RM3862, C=921146135 RM3862, E=921146157 RM3862
 B=921146110 RM3862, D=921146136 RM3862. F=921146158 RM3862

Index

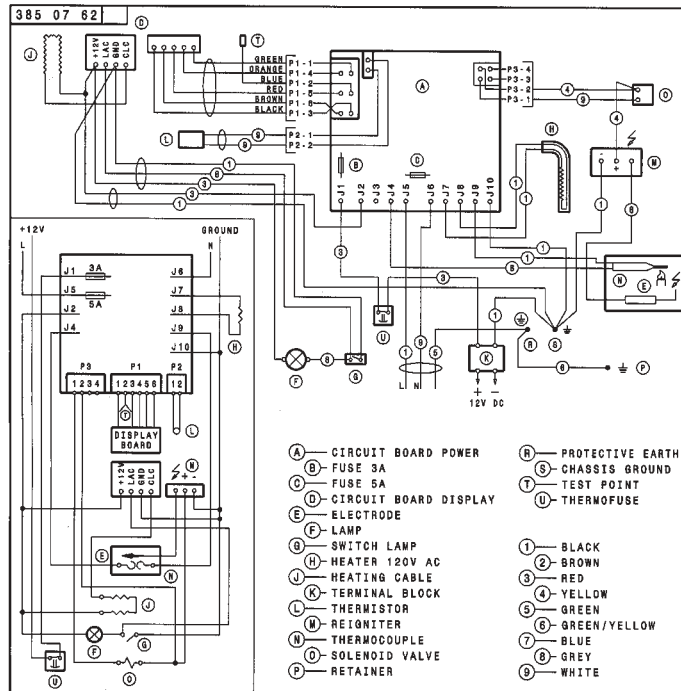
No.	Part No.	A	B	C	D	E	F	Description
100	2934806098	A	B	-	-	-	-	Cooling unit, 806
	2934806106	-	-	C	D	E	F	Cooling unit, 806 W/thermo fuse
101	0173228008	A	B	C	D	E	F	Cap
102	2933557007	A	B	C	D	E	F	Cover sheet
103	3858020013	A	B	-	-	-	-	Screw, zinc, DK4.8 x 16P
104	3858068012	-	-	C	D	E	F	Screw, zinc DK 4.8 x 16
140	3850582002	A	B	C	D	E	F	Label
141	3850583000	A	B	C	D	E	F	Label
145	2002699110	A	B	C	D	E	F	Power cord (not shown)

921146109 & 921146110 Wiring Diagram



N38505710

921146135, 921146136, 921146157 & 921146158 Wiring Diagram



N38507620