



When ordering parts, always state:
 MODEL NO. - PRODUCT NO. - QUANTITY -
 PART NUMBER - DESCRIPTION

For Electric Details also state:
 VOLTAGE - WATTAGE

MODEL RM2352 RM2353 Series With Black Frame

USA
 SERVICE OFFICE
 Dometic Corporation
 509 South Poplar Street
 LaGrange, IN 46761
 260-463-4858

CANADA
 Dometic Dist.
 866 Langs Dr.
 Cambridge, Ontario
 CANADA N3H 2N7
 519-653-4390

**For Service Center
 Assistance Call:**
 800-544-4881

PRODUCT NUMBER	MODEL	MARKET	VOLTAGE	BRAND
921145018	RM2352	USA/Canada	120 V	Dometic
921145019	RM2352	USA/Canada	120 V	Dometic
921145020	RM2353	USA/Canada	120 V	Dometic
921145021	RM2353	USA/Canada	120 V	Dometic

PARTS LIST

**MODEL
 RM2352
 RM2353**



NOTES: _____

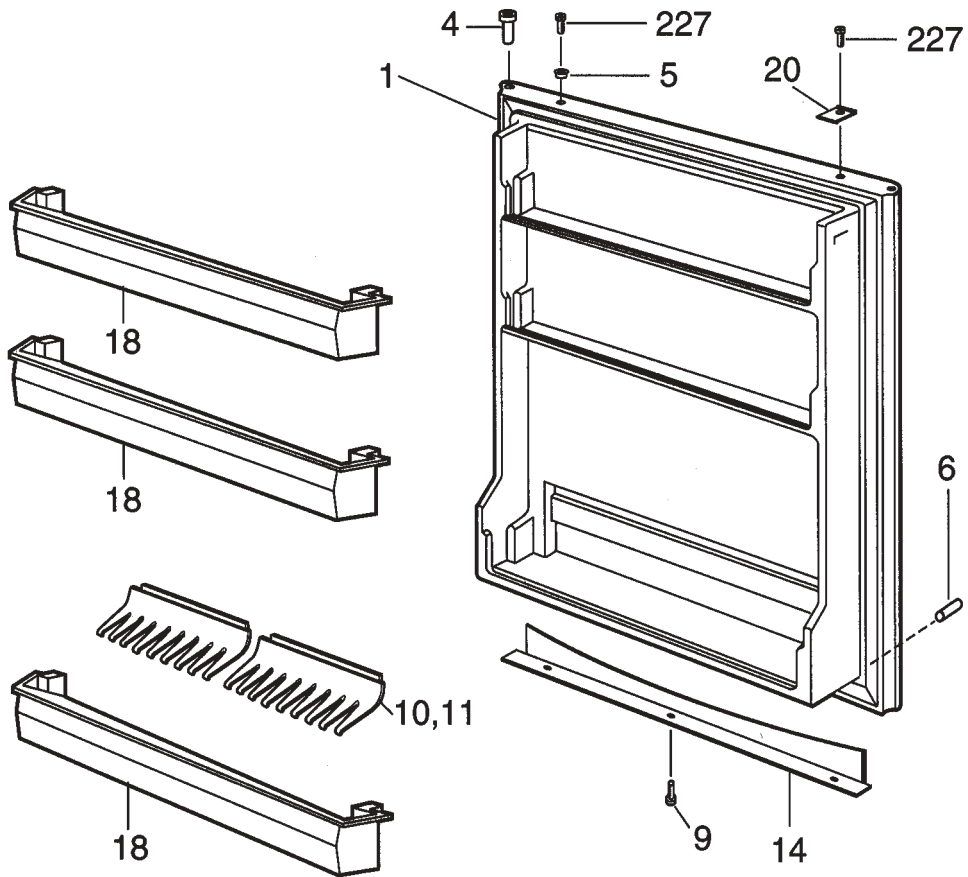
ALPHABETICAL INDEX

	Page#	Index#
Cabinet, exterior components	6-7	2-99
Cabinet, interior components	8-9	3-62
Cabinet, rear view	12-13	33-142
Control & Burner Components	10-11	1-115
Door Assm.	4-5	1-227
Wiring Diagram	15-16	—

SPECIFICATIONS

Model	RM2352	RM2353
Product Number*	921145018 921145019	921145020 921145021
Energy Source	120 VAC, Gas	120VAC,12VDC,GAS
AC Heating Element		
Amperage	1.5	1.5
Ohm Resis. +/- 10%	80	80
Wattage	175	175
DC Heating Element		
Amperage		12.5
Ohm's Resis. +/- 10%		0.96
Wattage		150
BTU's Gas Burner	1000	1000
Jet Size	#39	39
Flue Baffle		
Size	3-15/16" x 25/32"	3-15/16" x 25/32"
Position Above Burner	1-15/32"	1-15/32"
Bottle Holders	2	2
* Product number located on refrigerator data plate.		

Door Assembly



NCMOA2040688

Door Assembly

A=921145018
C=921145020

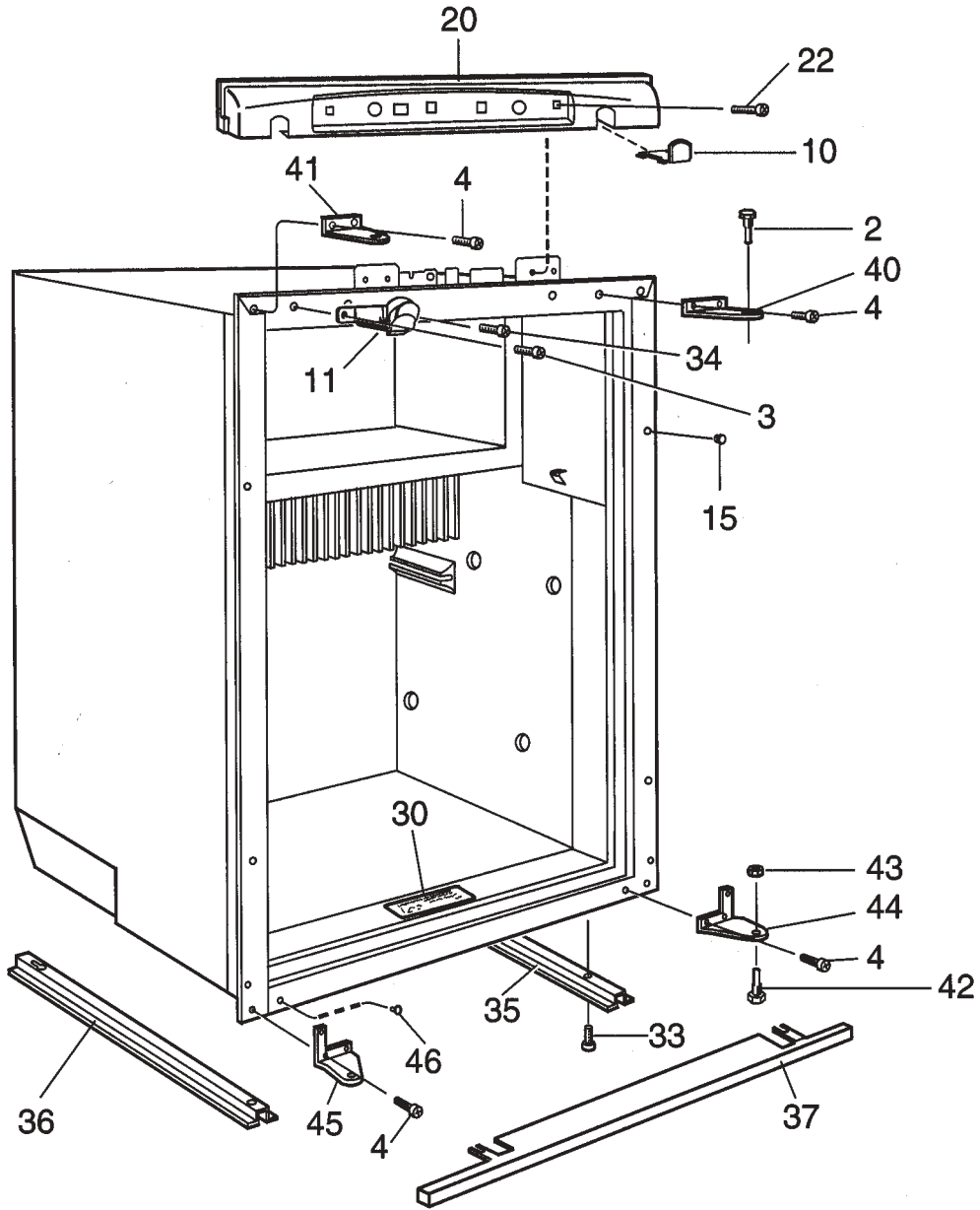
B=921145019
D= 921145021

RM2352
RM2353

Index

No.	Part No.	A	B	C	D	Description
1	3850272075	A	B	C	D	Refrigerator Door, Black
4	2931171066	A	B	C	D	Hinge,Bushing, Black
5	3850261029	A	B	C	D	Plug, Black
6	2932588011	A	B	C	D	Pin
9	3858002102	A	B	C	C	Screw, Zinc-plated, RXS B4x9.5
10	2930715053	A	B	C	D	Holder, Bottle 179mm
11	2930715061	A	B	C	D	Holder, Bottle 202mm
14	3850259023	A	B	C	D	Strip,Trim, Black
18	2002261242	A	B	C	C	Shelf, Door
20	3850260021	A	B	C	D	Lock, Plate, , Black
227	3858002037	A	B	C	D	Screw, Zinc-plated, RXS B8, 4.2x13

Cabinet, Exterior Components



NCMOB2040687

Cabinet, Exterior Components

A=921145018
C=921145020

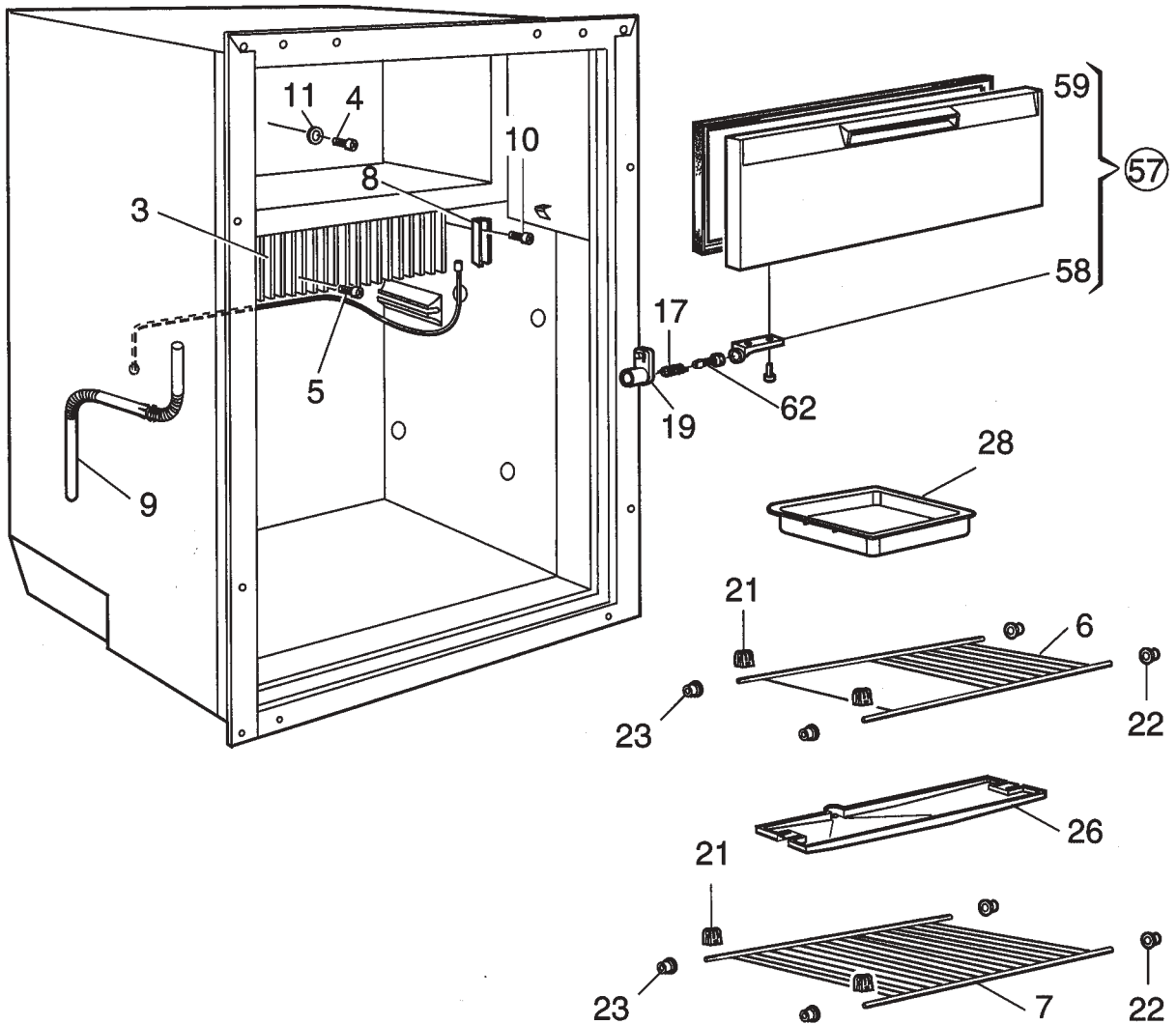
B=921145019
D= 921145021

RM2352
RM2353

Index

Index No.	Part No.	A	B	C	D	Description
2	2932415017	A	B	C	D	Pin, Upper Hinge
3	3858039088	A	B	C	D	Screw, Zinc-plated, M5x10
4	3858056025	A	B	C	D	Screw, Zinc-plated, MFX M5x10
10	3850263025	A	B	C	D	Cover, Black
11	3850319025	A	B	C	D	Lock, Latch, Black
15	3850336029	A	B	C	D	Plug, Black
20	3850262084	A	B	-	-	Trim, Control Panel, Black
	3850262076	-	-	C	D	Trim, Control Panel, Black
22	3858039062	A	B	C	D	Screw, Zinc-plated, M4x20
30	2932677004	A	B	C	D	Decal, Instructions
33	3858039096	A	B	C	D	Screw, Zinc-plated, MRX M5x14
34	3858002219	A	B	C	D	Screw, Zinc-plated RXS B10 4.8x9.5
35	2932486018	A	B	C	D	Runner, RH
36	2932486026	A	B	C	D	Runner, LH
37	2932325042	A	B	C	D	Base, Front , Black
40	3850270012	-	B	-	D	Hinge, RH
41	3850271010	A	-	C	-	Hinge LH
42	3850322011	A	B	C	D	Pin, Hinge, Lower
43	3858009032	A	B	C	D	Nut, Zinc-plated, M6x3.2
44	3850340013	-	B	-	D	Hinge, Lower RH
45	3850341011	A	-	C	-	Hinge, Lower LH
46	3850362025	A	B	C	D	Plug, Black
99	3850304027	A	B	C	D	Kit, Door Reversal, Black LH-RH

Cabinet, Interior Components



NCMOD2040689

Cabinet, Interior Components

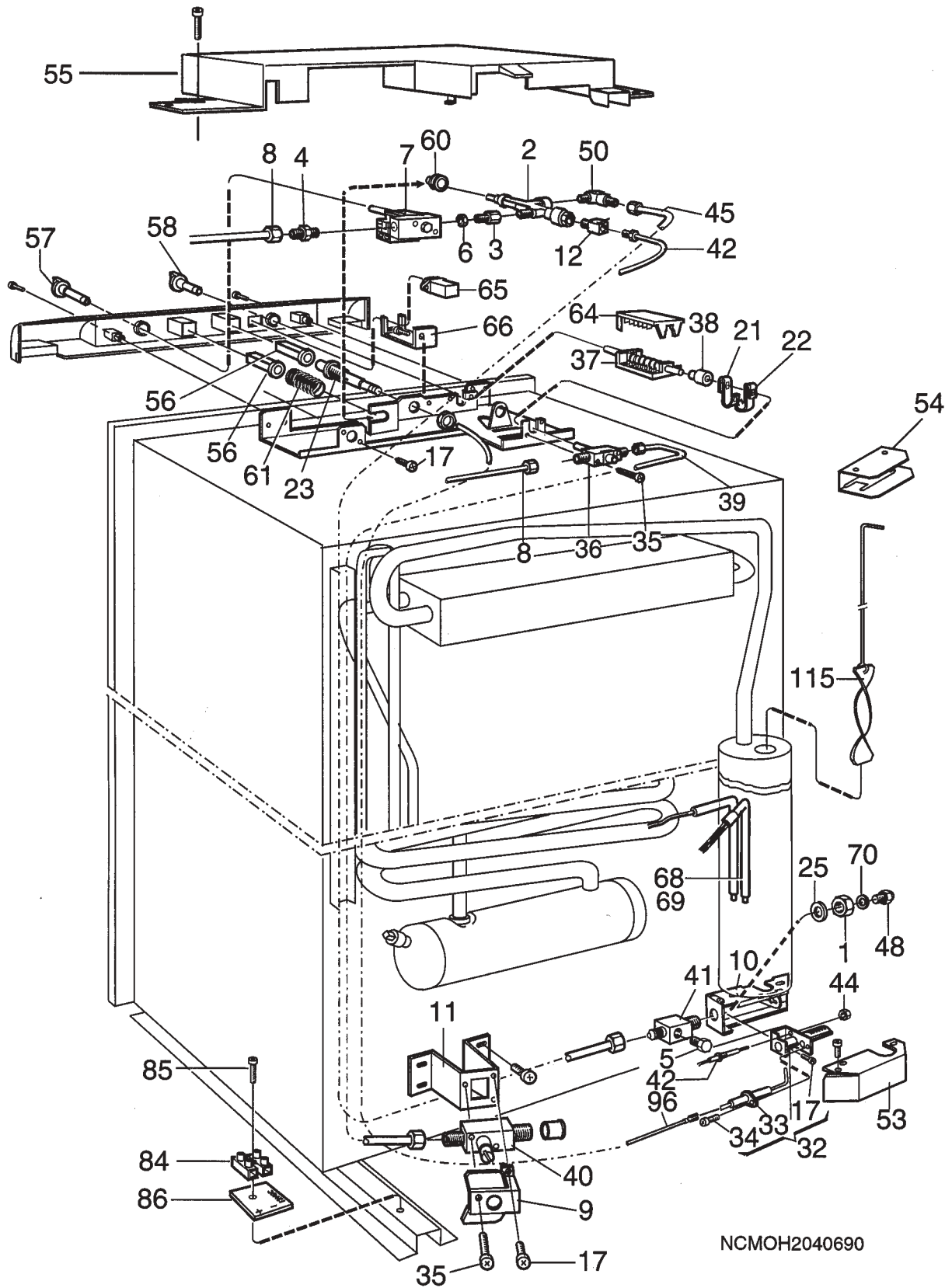
A=921145018
C=921145020

B=921145019
D= 921145021

RM2352
RM2353

Index						
No.	Part No.	A	B	C	D	Description
3	3850291018	A	B	C	D	Fins, Cooling
4	3858036019	A	B	C	D	Screw, Zinc-plated, KFXS B10x38
5	3858002292	A	B	C	D	Screw, Zinc Plated, RXS B10, 4.8x19
6	3850301015	A	B	C	D	Shelf
7	2932022045	A	B	C	D	Shelf
8	2890050004	A	B	C	D	Terminal
9	3850275011	A	B	C	D	Hose, Drain
10	3858002276	A	B	C	D	Screw, Zinc Plated, RXS B8, 6.4x12.5
11	3858010121	A	B	C	D	Washer, Stainless, BRB 6.4x12.5
17	2002237002	A	B	C	D	Spring, LH
	2002237010	A	B	C	D	Spring, RH
19	2002236004	A	B	C	D	Carrier, Spring, LH
	2002236012	A	B	C	D	Carrier, Spring, RH
21	2932102011	A	B	C	D	Support, Shelf
22	2932101013	A	B	C	D	Plug
23	2932103019	A	B	C	D	Plug
26	3850274014	A	B	C	D	Tray Condensate
28	2932636018	A	B	C	D	Box
57	2002239339	A	B	C	D	Door, Freezer
58	2002244008	A	B	C	D	Hinge, Freezer Door, White
59	2933145027	A	B	C	D	Gasket, Freezer Door, White
62	2002238000	A	B	C	D	Bolt

Control & Burner Components

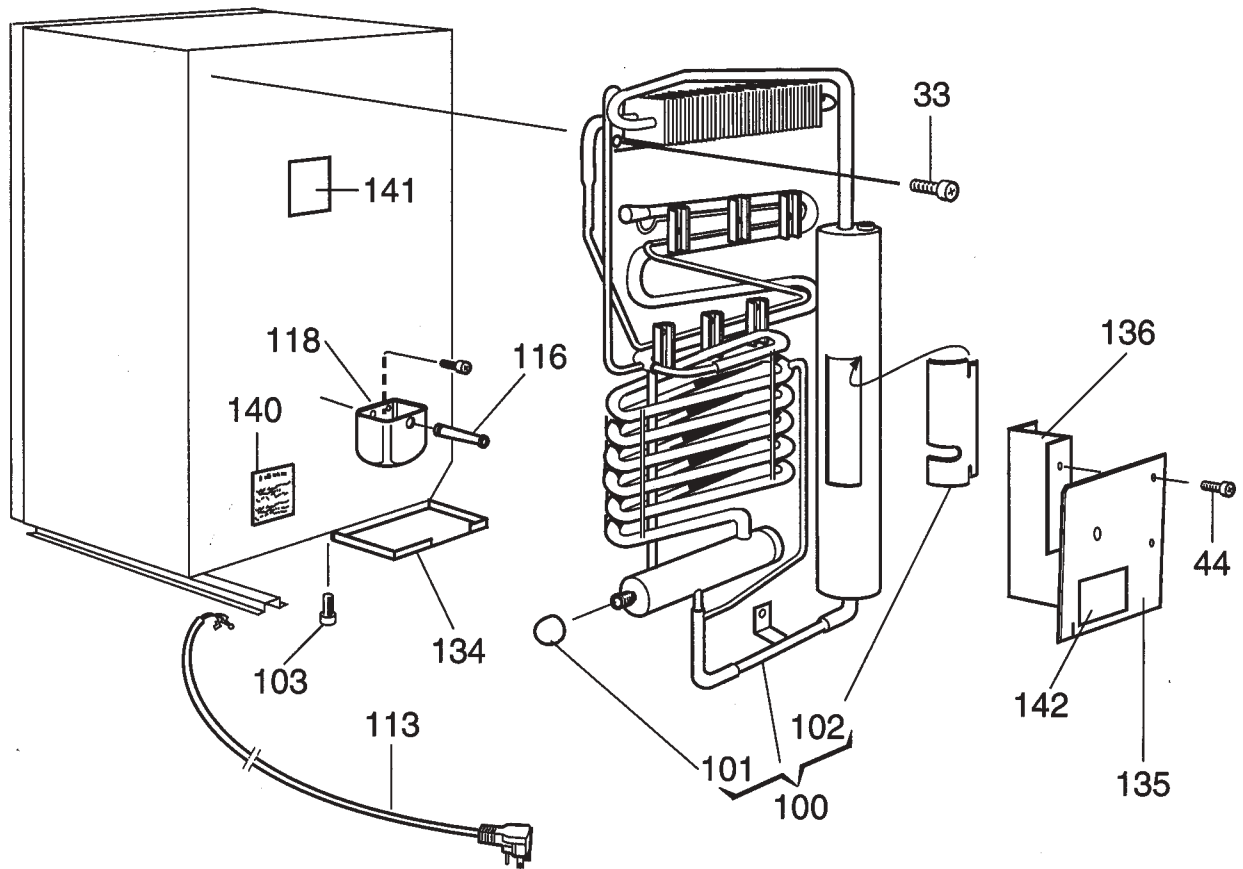


NCMOH2040690

Control & Burner Components

Index No.	Part No.	A=921145018		B=921145019		RM2352
		C=921145020		D= 921145021		RM2353
		A	B	C	D	Description
1	0140207044	A	B	C	D	Nut
2	2931656017	A	B	C	D	Valve, Safety
3	2932591015	A	B	C	D	Nipple
4	2931338012	A	B	C	D	Nipple
5	0169380003	A	B	C	D	Screw, Plug
6	2954070005	A	B	C	D	Nut
7	2931336016	A	B	C	D	Thermostat
8	2932619014	A	B	C	D	Pipe, Gas
9	2933150019	A	B	C	D	Plate, Protection
10	2932603018	A	B	C	D	Housing, Burner
11	2932487016	A	B	C	D	Retainer
12	2955033002	A	B	C	D	Adapter, Thermo-element
17	3858039039	A	B	C	D	Screw, Zinc-plated MRX M4x8
21	2007577014	A	B	C	D	Spring
22	2007578004	A	B	C	D	Spring
23	2931796011	A	B	C	D	Piezo, Ignitor
25	3858010071	A	B	C	D	Washer, 12.5x18.5x1
32	2930697061	A	B	C	D	Burner
33	2930379009	A	B	C	D	Electrode
34	3858005014	A	B	C	D	Screw, Zinc-plated, RXK B6x9.5
35	3858039070	A	B	C	D	Screw, Zinc-plated, M4x25
36	2932617018	A	B	C	D	Valve, Manual Gas
37	2932614015	A	B	C	D	Switch
38	2932602010	A	B	C	D	Bushing
39	2932489012	A	B	C	D	Tube, Gas
40	2932616010	A	B	C	D	Valve, Manual Gas
41	2931227017	A	B	C	D	Nipple
42	2932337013	A	B	C	D	Thermocouple
44	2801043015	A	B	C	D	Nut
45	3850295019	A	B	C	D	Pipe, Gas Burner
48	2007419159	A	B	C	D	Jet #39
50	2930488008	A	B	C	D	Coupling
53	2932661016	A	B	C	D	Cover
54	2007598010	A	B	C	D	Cap, Flue
55	3850255013	A	B	C	D	Cover, Protection
56	3850265020	A	B	C	D	Button, Push, Black
57	3850317029	A	B	C	D	Knob, Thermostat, Black
58	3850318027	A	B	C	D	Knob, Switch, Black
60	2932595016	A	B	C	D	Sleeve, Cap
61	2932594019	A	B	C	D	Spring
64	2954023004	A	B	C	D	Cap
65	2955037011	A	B	C	D	Indicator, Flame
66	2933073013	A	B	C	D	Retainer
68	0173735051	-	-	C	D	Heater, 150W-12V
69	0173771072	A	B	C	D	Heater, 175W-120V
70	2007457001	A	B	C	D	Washer, 0.5mm
84	3858022019	-	-	C	D	Block, Terminal
85	3858002185	-	-	C	D	Screw, Zinc-plated RXS B6x25
86	2933139012	-	-	C	D	Label 12V
96	2931360032	A	B	C	D	Lead, Electrode
115	2007172022	A	B	C	D	Baffle, Flue

Cabinet, Rear View



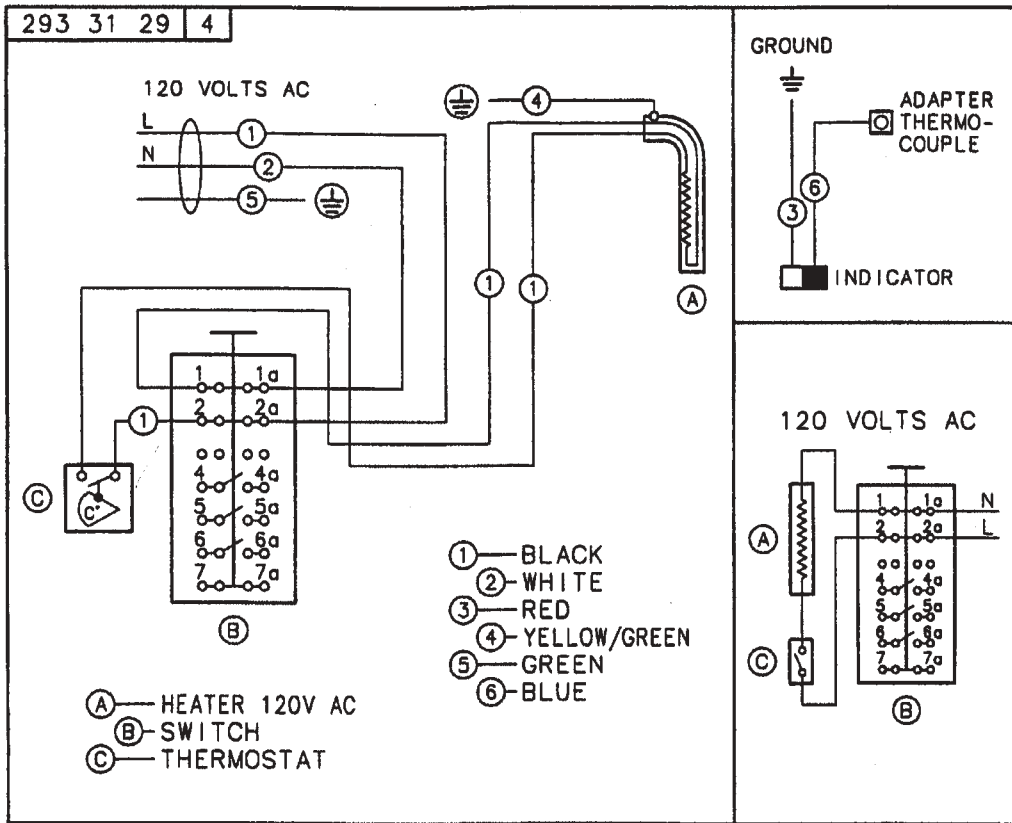
NCMOE2059400

Cabinet, Rear View

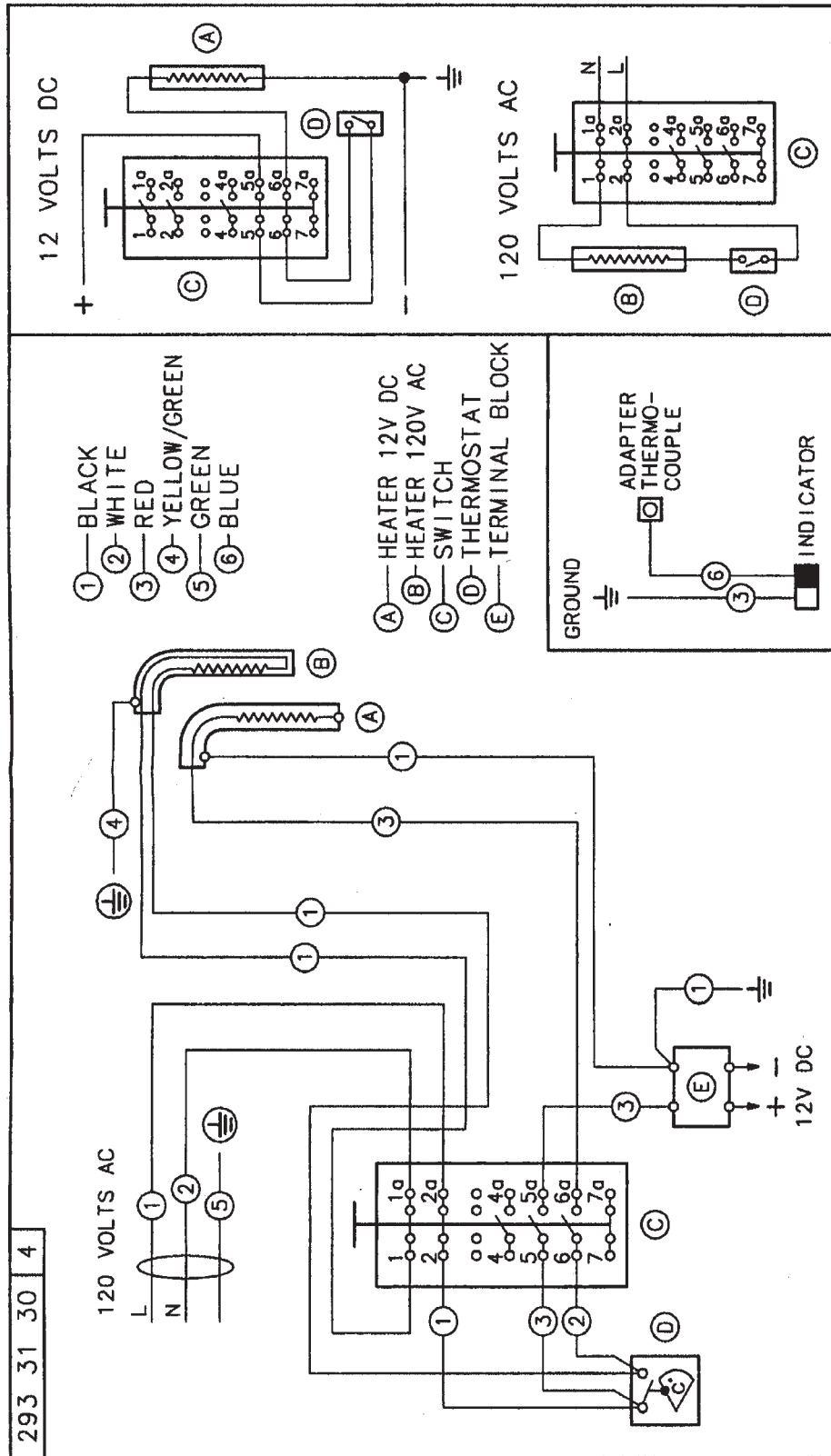
A=921145018	B=921145019	RM2352
C=921145020	D= 921145021	RM2353

Index						
No.	Part No.	A	B	C	D	Description
33	3858039096	A	B	C	D	Screw, Zinc-plated, MRX M5x14
44	3858002144	A	B	C	D	Screw, Zinc-plated RXS B6x9.5
100	2934340098	A	B	C	D	Cooling Unit, Type 340
101	0173228008	A	B	C	D	Cap
102	2800821007	A	B	C	D	Cover
103	3858020013	A	B	C	D	Screw, Zinc-plated DK4.8x16P
113	2002699128	A	B	C	D	Cord, Power
116	2931829010	A	B	C	D	Tube, Drain
118	2931828012	A	B	C	D	Tray, Drip
134	2933151017	A	B	C	D	Plate
135	3850296017	A	B	C	D	Plate, Protection
136	2933152015	A	B	C	D	Cover, Side
140	3850582002	A	B	C	D	Decal
141	3850583000	A	B	C	D	Decal
142	3850584008	A	B	C	D	Decal

RM2352 921145018 & 921145019 Wiring Diagram



RM2353 921145020 & 921145021
Wiring Diagram



293 31 30 4