



WHEN ORDERING PARTS - ALWAYS STATE:
 MODEL NO. - PRODUCT NO. - QUANTITY -
 PART NO. - DESCRIPTION

REFRIGERATOR MODEL RM2352 & RM2353

USA
 SERVICE OFFICE
 Dometic Corp.
 509 So. Poplar St.
 LaGrange, IN 46761
 260-463-4858

CANADA
 Dometic Dist.
 866 Langs Dr.
 Cambridge, Ontario
 CANADA N3H 2N7
 519-653-4390

**For Service Center
 Assistance Call:**
 800-544-4881

MODEL	PRODUCT NUMBER	ENERGY SOURCE	APPROVALS	HINGE
RM2352	921145002	120/GAS	CA - US	RH
RM2353	921145003	120/GAS/12	CA - US	RH
RM2352	921145004	120/GAS	CA - US	LH
RM2353	921145005	120/GAS/12	CA - US	LH

PARTS LIST

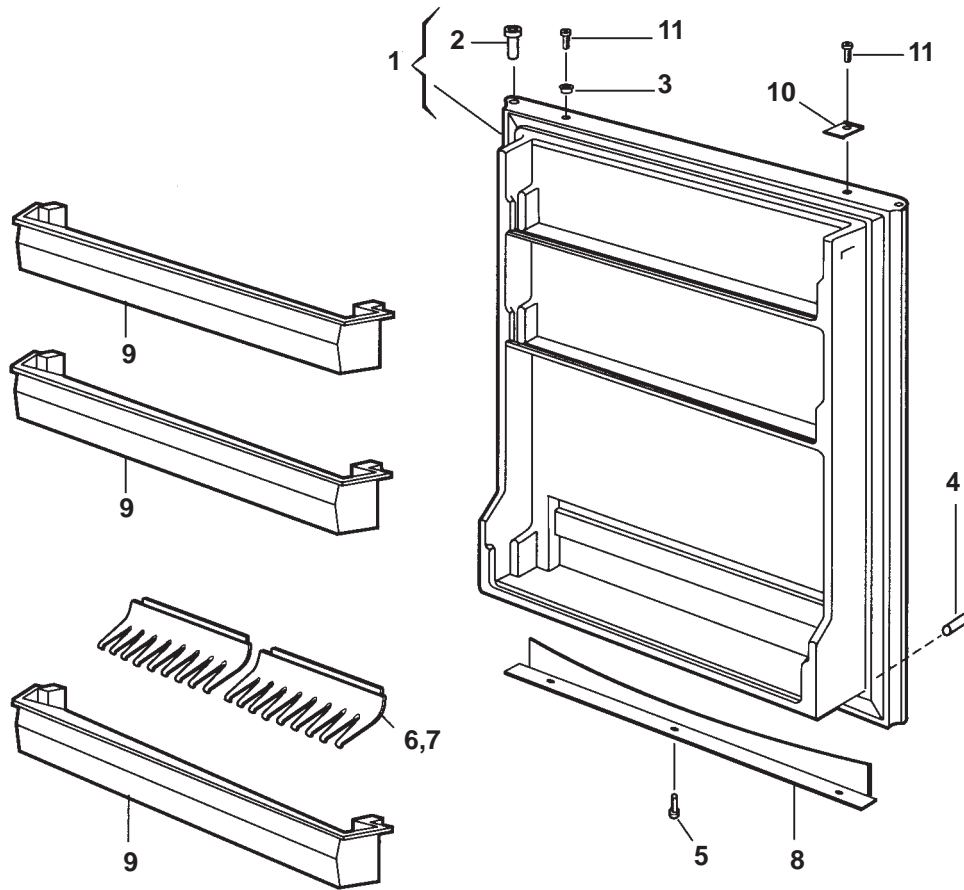
**MODELS
 RM2352
 RM2353**

REVISION
 Form No. 3307610.026 9/02
 (Replaces 3307610.018)
 ©2002 Dometic Corporation
 LaGrange, IN 46761

SPECIFICATIONS:

Model Number	RM2352	RM2352	RM2353	RM2353
Product Number	921145002	921145004	921145003	921145005
Energy Source	120AC/GAS	120AC/GAS	12AC/12DC/GAS	120AC/12DC/GAS
Heater, 120VAC				
Watts	175	175	175	175
Ohms	80	80	80	80
Amps	1.5	1.5	1.5	1.5
Heater, 12VDC				
Watts	150	150	150	150
Ohms	0.96	0.96	0.96	0.96
Amps	12.5	12.5	12.5	12.5
BTU's Gas	1000	1000	1000	1000
Burner Jet Size	39	39	39	39
Flue Baffle				
Size	3-15/6" x 25/32"	3-15/6" x 25/32"	3-15/6" x 25/32"	3-15/6" x 25/32"
Location	1-15/32" Above Burner	1-15/32" Above Burner	1-15/32" Above Burner	1-15/32" Above Burner

DOOR ASSEMBLY

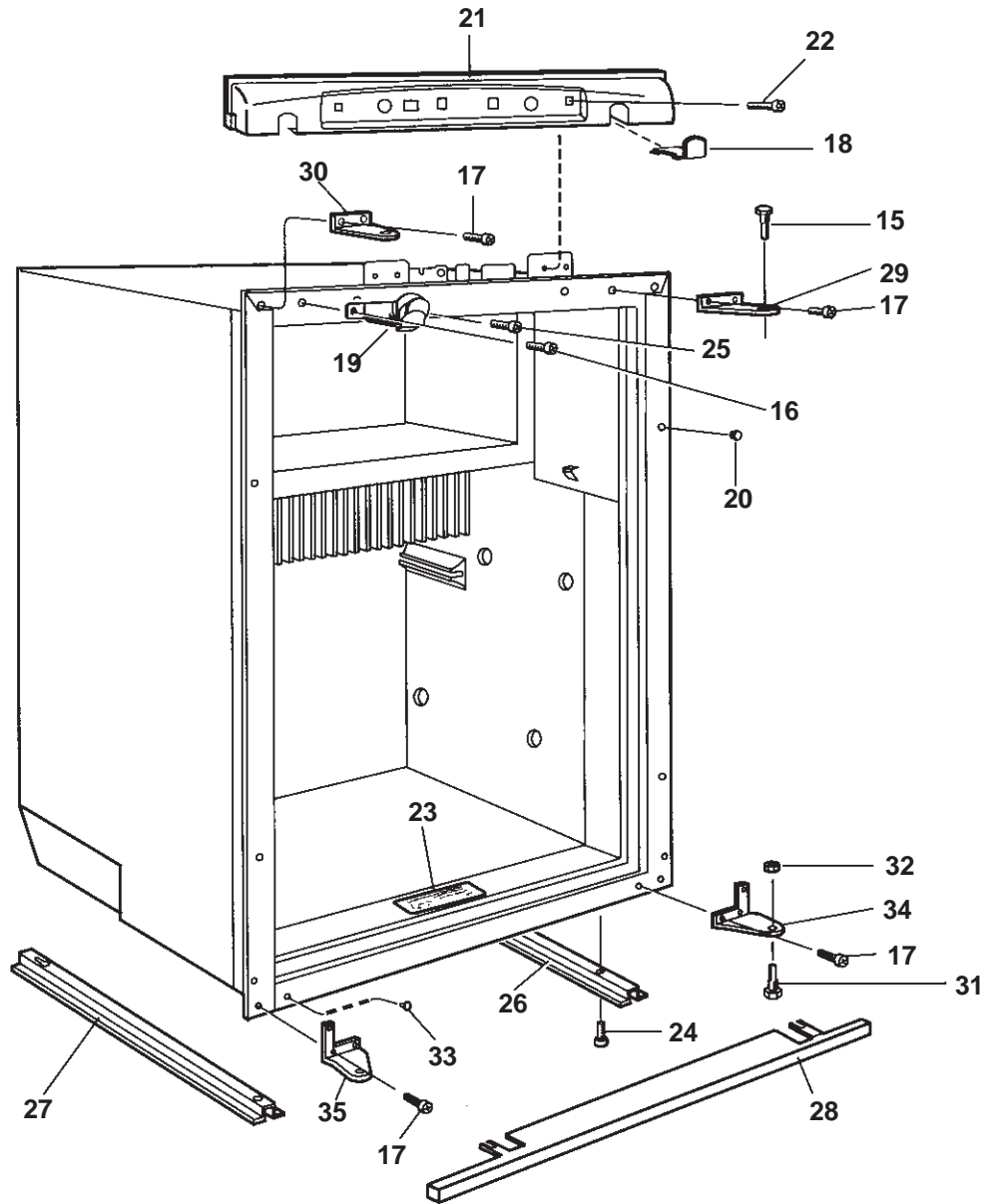


A = 921145002 - RM2352
 B = 921145004 - RM2352
 C = 921145003 - RM2353
 D = 921145005 - RM2353

INDEX	DESCRIPTION	PART NUMBER	MODEL
1	Door, refrigerator	See Note 1	A B C D
2	Bushing, Hinge	2931171041	A B C D
3	Plug	3850261011	A B C D
4	Stopper	2932588011	A B C D
5	Screw, C2, 9x9,5	7295225010	A B C D
6	Holder, Bottle 179mm	2930715053	A B C D
7	Holder, Bottle 202mm	2930715061	A B C D
8	Trim, Door	3850259015	A B C D
9	Shelf, Door	2002261242	A B C D
10	Plate, Lock	3850260013	A B C D
11	Screw, B 4.2x13mm	7295342013	A B C D

NOTE 1: Serial Number 14200114 and before use door 3850272026.
 Serial Number 14200115 and after use door 3850272042.

EXTERIOR CABINET PARTS

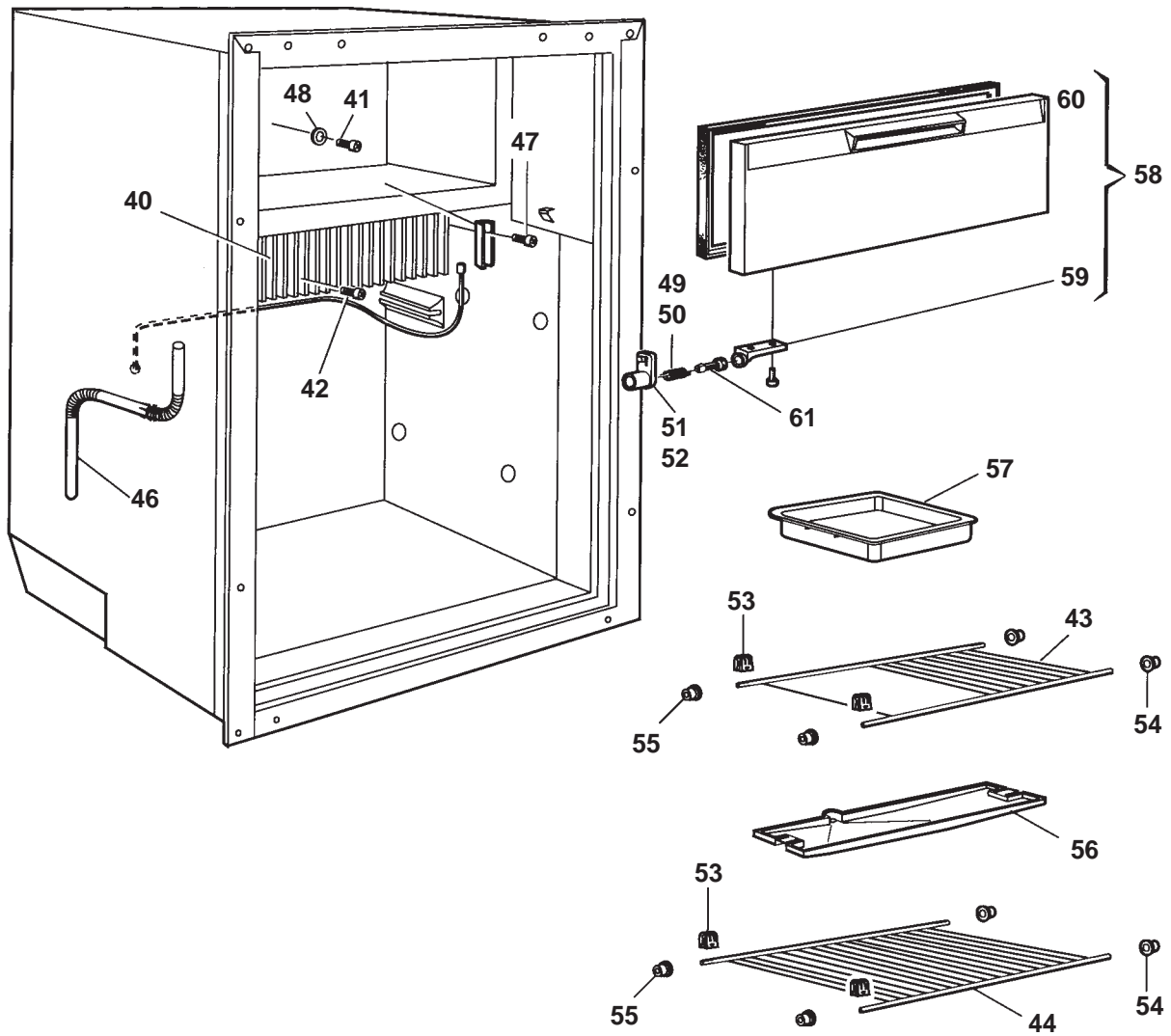


EXTERIOR CABINET PARTS

A = 921145002 - RM2352
 B = 921145004 - RM2352
 C = 921145003 - RM2353
 D = 921145005 - RM2353

INDEX	DESCRIPTION	PART NUMBER	MODEL
15	Pin, Upper Hinge	2932415017	A B C D
16	Screw, M5x10	7241325617	A B C D
17	Screw, M5x10 FZ	7243325615	A B C D
18	Cover	3850263017	A B C D
19	Lock, Latch	3850319017	A B C D
20	Plug	3850336011	A B C D
21	Front, Decoration 3W	3850262019	-- -- C D
	Front, Decoration 2W	3850262027	A B -- --
22	Screw, M4x20	7241295612	A B C D
23	Decal	2932677004	A B C D
24	Screw, M5x14	7241328611	A B C D
25	Screw, RXS,B10x9.5	7295408400	A B C D
26	Runner, RH	2932486018	A B C D
27	Runner, LH	2932486026	A B C D
28	Front, Base	2932325026	A B C D
29	Hinge, RH	3850270012	A -- C --
30	Hinge, LH	3850271010	-- B -- D
31	Pin, Hinge Lower	3850322011	A B C D
32	Nut M6x3.2	3858009032	A B C D
33	Plug	3850362017	A B C D
34	Hinge, Lower RH	3850340013	A -- C --
35	Hinge, Lower LH	3850341011	-- B -- D
36	Door Reversal Kit	3850304019	A B C D

INTERIOR CABINET PARTS



INTERIOR CABINET PARTS

A = 921145002 - RM2352

B = 921145004 - RM2352

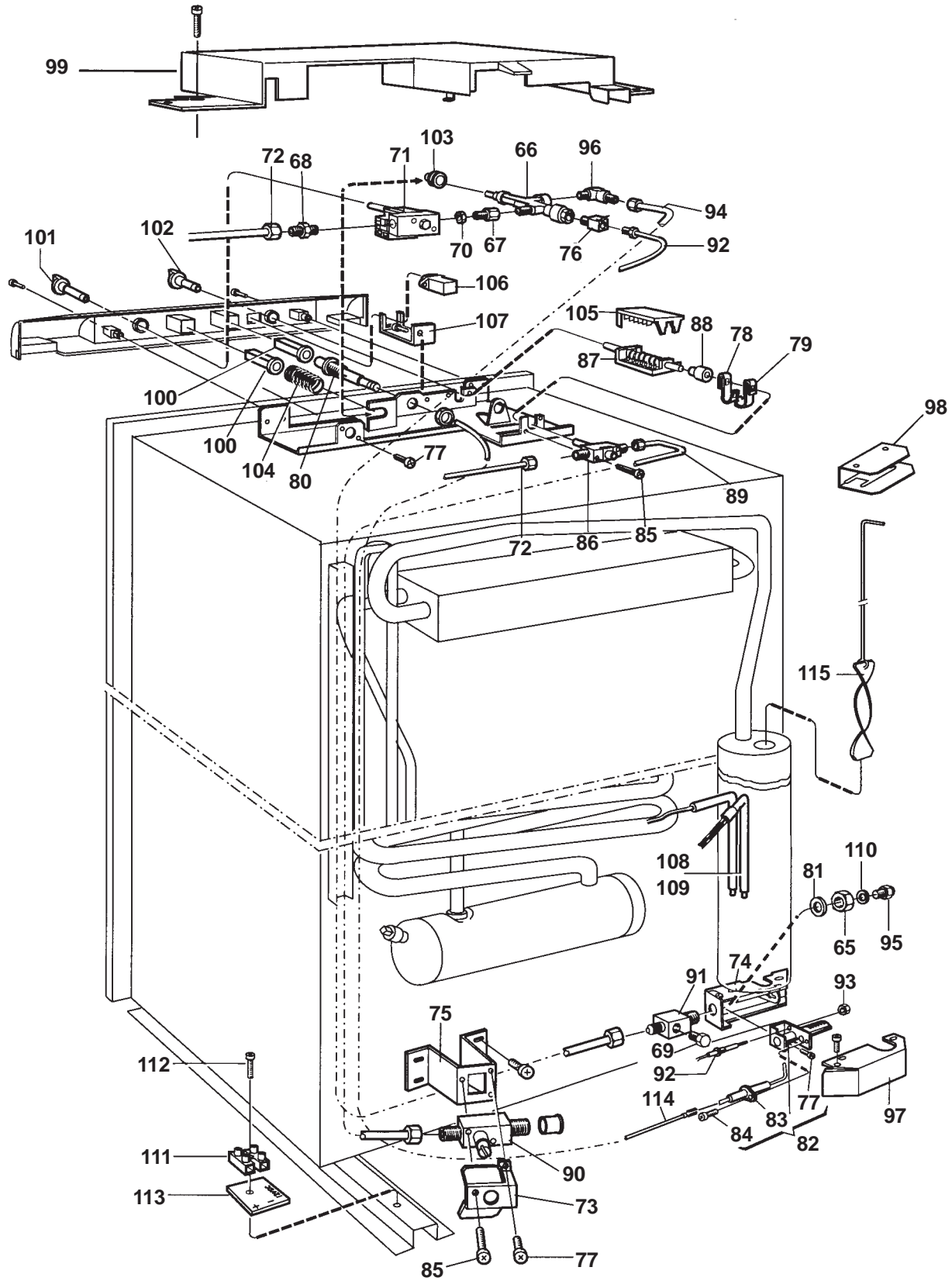
C = 921145003 - RM2353

D = 921145005 - RM2353

INDEX	DESCRIPTION	PART NUMBER	MODEL
40	Flange, Cooling	3850291018	A B C D
41	Screw, B10x38	2801051018	A B C D
42	Screw, RXS,B10x19	2801062049	A B C D
43	Shelf	3850301015	A B C D
44	Shelf	2932022045	A B C D
45	Terminal	2890050004	A B C D
46	Hose, Drain	3850275011	A B C D
47	Screw,RXS,B8 4.2x16	2801062023	A B C D
48	Washer, 6.4x12x1.6 A2	7341153091	A B C D
49	Spring, LH	2002237002	A B C D
50	Spring, RH	2002237010	A B C D
51	Casting, Spring, LH	2002236004	A B C D
52	Casting, Spring, RH	2002236012	A B C D
53	Support, Shelf	2932102011	A B C D
54	Plug	2932101013	A B C D
55	Plug	2932103019	A B C D
56	Tray, Condensate	3850274014	A B C D
57	Box	2932636018	A B C D
58	Door, Freezer	See Note 2	A B C D
59	Hinge, Freezer	2002244008	A B C D
60	Gasket, Freezer Door	2933145027	A B C D
61	Bolt	2002238000	A B C D

NOTE 2: Serial Number 14200114 and before use Freezer Door 2002239313.
 Serial Number 14200115 and after use Freezer Door 2002239339.

CONTROL AND BURNER PARTS



CONTROL AND BURNER PARTS

A = 921145002 - RM2352

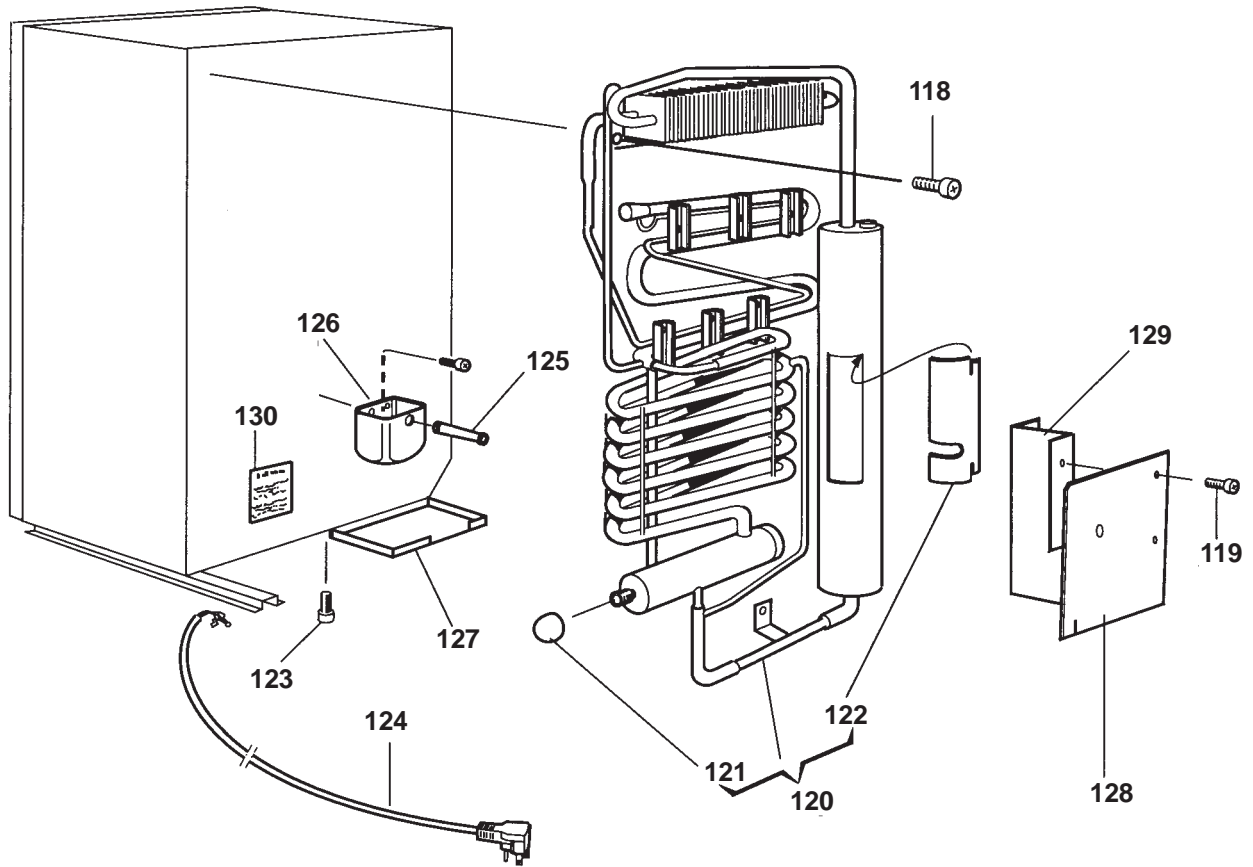
B = 921145004 - RM2352

C = 921145003 - RM2353

D = 921145005 - RM2353

INDEX	DESCRIPTION	PART NUMBER	MODEL
65	Nut	0140207044	A B C D
66	Valve, Safety	2931656017	A B C D
67	Nipple	2932591015	A B C D
68	Nipple	2931338012	A B C D
69	Screw	0169380003	A B C D
70	Nut	2954070005	A B C D
71	Thermostat	2931336016	A B C D
72	Pipe, Gas	2932619014	A B C D
73	Cover	2933150019	A B C D
74	Housing, Burner	2932603018	A B C D
75	Retainer	2932487016	A B C D
76	Adapter, Thermocouple	2955033002	A B C D
77	Screw, M4x8	7241287619	A B C D
78	Spring	2007577014	A B C D
79	Spring	2007578004	A B C D
80	Piezo Ignitor	2931796011	A B C D
81	Washer	7345842012	A B C D
82	Burner	2930697061	A B C D
83	Electrode	2930379009	A B C D
84	Screw, RXS B4x6.5	7295221019	A B C D
85	Screw, M4x25	7241297618	A B C D
86	Valve, Manual Gas	2932617018	A B C D
87	Switch	2932614015	A B C D
88	Coupler	2932602010	A B C D
89	Tube, Gas	2932489012	A B C D
90	Valve, Manual Gas	2932616010	A B C D
91	Nipple	2931227017	A B C D
92	Thermocouple	2932337013	A B C D
93	Nut	2801043015	A B C D
94	Tube, Gas Burner	3850295019	A B C D
95	Orifice, #39	2007419159	A B C D
96	Elbow, Gas	2930488016	A B C D
97	Cover, Burner	2932661016	A B C D
98	Cap, Flue	2007598010	A B C D
99	Cover, Controls	3850255013	A B C D
100	Button, Push	3850265012	A B C D
101	Knob, Thermostat	3850317011	A B C D
102	Knob, Switch	3850318019	A B C D
103	Bushing	2932595016	A B C D
104	Spring	2932594019	A B C D
105	Cap	2954023004	A B C D
106	Indicator, Flame	2955037011	A B C D
107	Retainer	2933073013	A B C D
108	Heater, 150W-12VDC	0173735051	-- -- C D
109	Heater, 175W-120VAC	0173771072	A B C D
110	Washer	2007457001	A B C D
111	Terminal Block	3858022019	A B C D
112	Screw, RXS, B6x25	7295285402	A B C D
113	Plate, Label	2933139012	A B C D
114	Wire, Electrode	2931360032	A B C D
115	Baffle, Flue	2007172022	A B C D

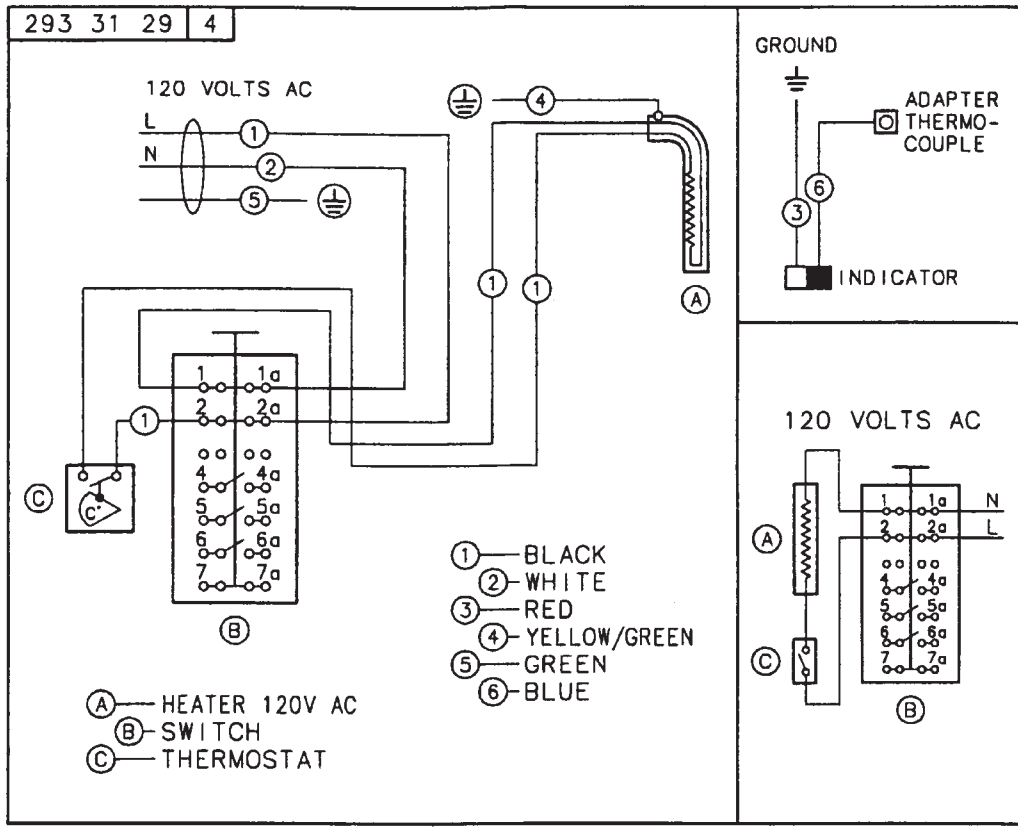
REAR CABINET PARTS



A = 921145002 - RM2352
 B = 921145004 - RM2352
 C = 921145003 - RM2353
 D = 921145005 - RM2353

INDEX	DESCRIPTION	PART NUMBER	MODEL
118	Screw, M5x14	7241328611	A B C D
119	Screw, RXS,B6x10	7295279512	A B C D
120	Cooling Unit, Type 340	2934340098	A B C D
121	Cap	0173228008	A B C D
122	Cover, Heater	2933557007	A B C D
123	Screw, DK4.8x168P	3858020013	A B C D
124	Cord, Power	2002699128	A B C D
125	Drain Pipe	2931829010	A B C D
126	Cup, Condensate	2931828012	A B C D
127	Plate	2933151017	A B C D
128	Plate Protection	3850296017	A B C D
129	Plate, Side Cover	2933152015	A B C D
130	Decal	2932723006	A B C D

RM2352 WIRING DIAGRAM



RM2353 WIRING DIAGRAM

