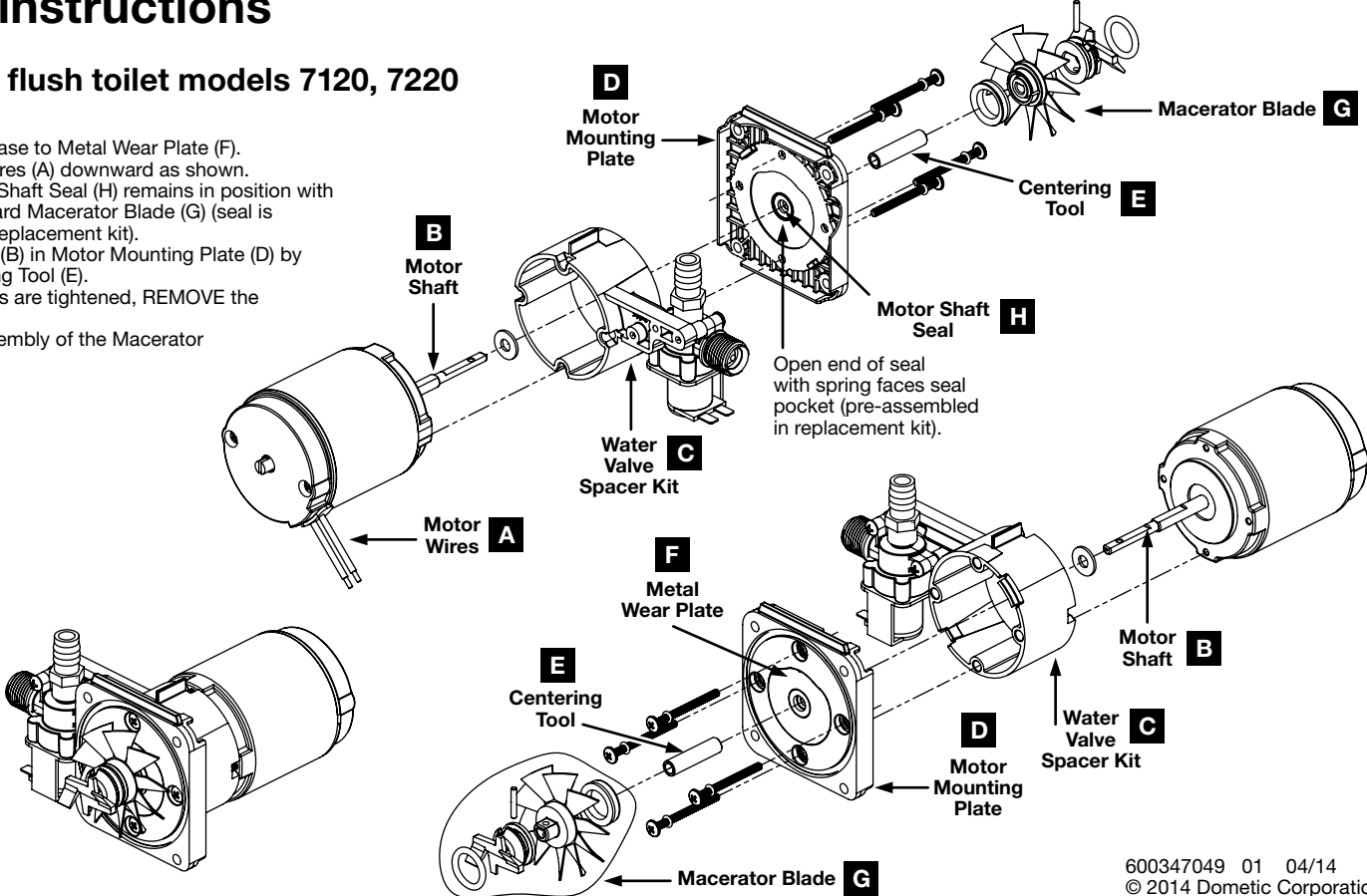


# MasterFlush<sup>®</sup> maceratorator motor service instructions

## Fresh water flush toilet models 7120, 7220

1. Apply silicone grease to Metal Wear Plate (F).
2. Position Motor Wires (A) downward as shown.
3. Make sure Motor Shaft Seal (H) remains in position with spring facing toward Macerator Blade (G) (seal is preassembled in replacement kit).
3. Align Motor Shaft (B) in Motor Mounting Plate (D) by using the Centering Tool (E).
4. After motor screws are tightened, REMOVE the Centering Tool (E).
5. Complete the assembly of the Macerator Blade (G).



# MasterFlush® maceratorator motor service instructions

## Raw water flush toilet models 7160, 7260

1. Position Motor Wires (A) downward as shown.
2. Apply silicone grease to Metal Wear Plates (D).
3. Apply silicone grease inside entire Water Pump Housing (F).
4. With Motor Shaft (B) in one side of Water Pump Housing, insert Metal Wear Plate and Water Pump Impeller (G) into Pump Housing from other side. When impeller engages with Motor Shaft, turn Impeller counterclockwise as it is pushed into Housing for easier assembly.
5. Align Motor Shaft in Motor Mounting Plate (H) by using the Centering Tool (C).
6. After motor screws are tightened, REMOVE the Centering Tool.
7. Complete the assembly of the Macerator Blade (E).

