

Heki 4plus

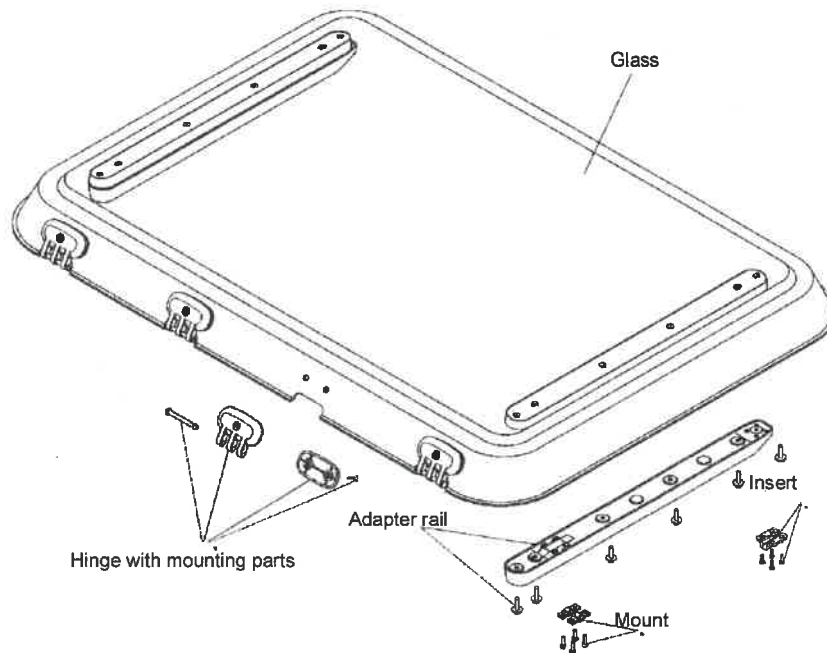


Outside view



Inside view

Glass dome



PROBLEM:

Replacing the glass dome
Replacing the adapter rail
Replacing the hinge parts

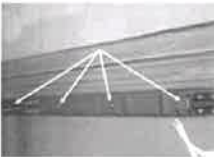
Replacing the glass dome



Open the glass dome all the way with the servo motor to detach the opening rods from the lifting mechanism (4 rods for each lifting mechanism).



Thereafter, the hinge pins must be removed with a long-nose pliers.



Place the glass dome carefully down on a padded surface and remove the Adapter rails in the same manner...



...as the hinges.

Install the new part in the reverse order of sequence.

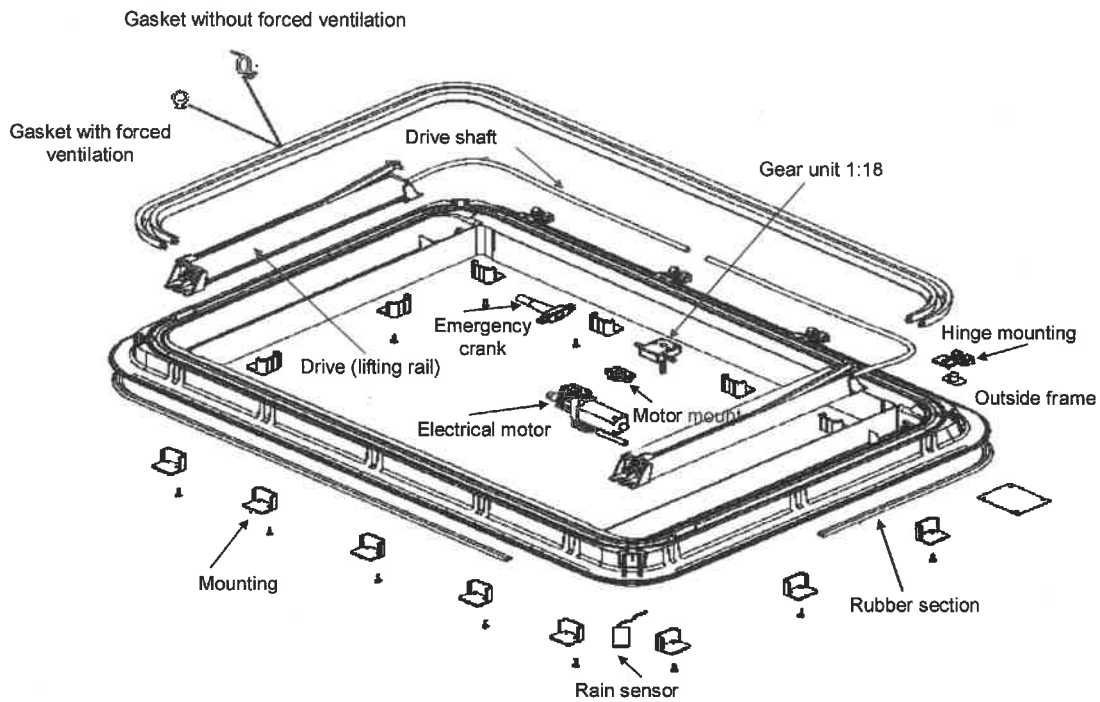
Replacing the adapter rail

Remove the adapter rail as described under **Replacing the glass dome**.

Replacing the hinge parts

Remove the hinge parts as described under **Replacing the glass dome**.

Outside frame



PROBLEM:

Replacing the outside frame
Replacing the rubber seal
Replacing the lifting rail
Replacing the gear unit
Replacing the electric motor
Replacing the electronic controller
Replacing the rain sensor

Replacing the outside frame



Remove the inside frame as described under **Replacing the inside frame**.

Remove the inside frame and loosen the Phillips screws on the mountings.

Attention! The risk of rupturing the roof sheeting exists when the main frame is removed.

Begin by trying to lift the complete outer frame on one of the corners upward. Remove any sealing residue from the surface of the roof and clean with a grease free agent. Apply a suitable sealing agent (e.g. butyl) onto the sealing surface of the outer frame before installing the main frame. Install the outside frame in the reverse order of sequence.

Replacing the rubber seal



Open the glass dome all the way. Take the profile gasket out of the groove. The profile gasket is glued on the corners (radii) and on the butts with super glue. A razor blade or a small screw driver must be used to remove adhesive or rubber residue from the groove. Insert new gaskets and glue them in place.

Replacing the lifting rail

Remove the inside frame as described under **Replacing the inside frame**.



Loosen the 4 Phillips screws before removing the lifting device.



Pull the drive shaft off the hexagonal bolt. Install the new part in the reverse order of sequence.

Use a screw retaining device (e.g. Loctite) when tightening the Phillips screws.

Replacing the gear unit



Remove the inside frame as described under **Replacing the inside frame**. Loosen the Phillips screws and pull the drive shaft off the hexagonal bolt. Remove the drive and install the new part in the reverse order of sequence.

Replacing the electric motor



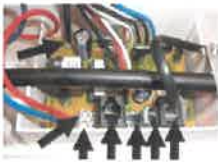
Disconnect the power supply. Remove the inside frame as described under **Replacing the inside frame**. Disconnect the plugs from the board as seen in the image to the left. Detach the electric motor connecting wires from the board on the two screws as seen in the image to the left.



Then use a Phillips screw driver to loosen the two electric motor fastening screws and pull the electric motor upward.

Install the new part in the reverse order of sequence.

Replacing the electronic controller



Remove the inside frame as described under **Replacing the inside frame**. Disconnect the plugs from the board as seen in the image to left. Detach all of the connecting wires (see image) and the two fastening screws from the board. Thereafter, remove the electronic controller from the top.

Attention! Make sure you do not mix up the wires when disconnecting them (mark the wires).

Install the new part in the reverse order of sequence

Replacing the rain sensor



Remove the inside frame as described under **Replacing the inside frame**. Disconnect the connecting wire plugs from the board as seen in the image to the left. Cut the wires and pull them through the opening on the frame.



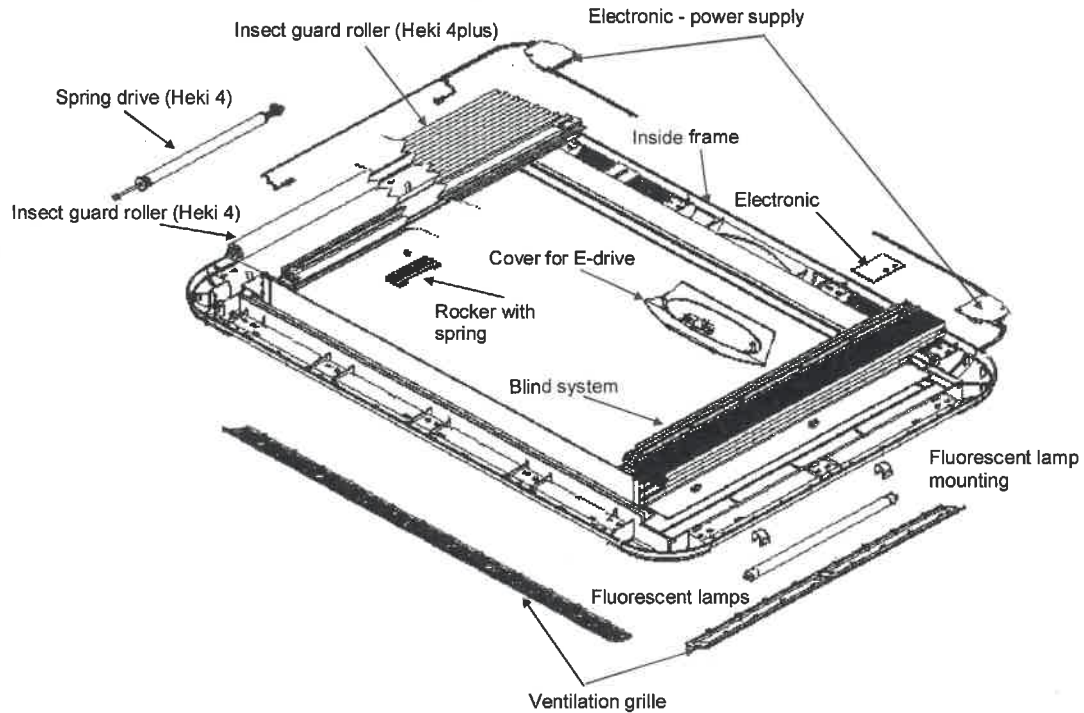
Loosen the two fastening screws on the rain sensor. Thereafter, remove the rain sensor from the top.

Install the new part in the reverse order of sequence. Install the wires through the opening in the frame.



Use a crimping pliers (e.g. KNIPEX 975112 / 4P) to install the provided western type plug on the board the same way as the old part was installed.

Inside frame



PROBLEM:

- Replacing the inside frame**
- Replacing the roller blind**
- Replacing the insect guard roller**
- Replacing the fluorescent lamps**
- Replacing the electronic power supply unit**
- Replacing the cover with receiver**
- Replacing the remote control**

Replacing the inside frame



Remove the ventilation grille (be careful not to over-bend) and loosen the screws located underneath it (also those under the fluorescent lamps).



Pull the plug connections (connections between the outer and inside frames) off the board before loosening the last screws (to ensure that frame remains in place).



Also, make sure to disconnect the power supply (which is probably connected via a luster terminal depending on the manufacturer of the vehicle).

Installation takes place in the reverse order of sequence.

Replacement of the blackout system

Take off the inner frame in the same way as described in '**Replacement of the inner frame**'.



Release the pinned-up lateral blinds by unclipping them.



Dismantle the three spring clips for fixing the blackout fabric with the aid of a screwdriver.



Release the four lustre terminals on the lateral rod guides. The spring clips and lustre terminals on the opposite side (gauze screen) must be released in the same way.



Pull back the lateral rod guide with the aid of pointed pliers, until the blackout system is released from the rod guide.



The welded cord-pull holder on the inner frame has to be exposed on blackout side with the aid of side-cutting pliers, in order to remove the cords afterwards.

Push the complete folding interior blind with the closing rod backwards until it touches the inner frame and then remove it. It is absolutely essential to pay attention that the cords are positioned accurately during the replacement, in order to ensure the function afterwards.



The cord pull is secured in the inner frame with the aid of a soldering iron (renewed welding).

The rod is fixed with the lustre terminals and other components (lateral blind, etc.) in reverse order to the dismantling.

Replacement of the gauze screen

The gauze screen is replaced in the same way as described in ‘**Replacement of the blackout system**’.

Replacing the fluorescent lamps

Remove the ventilation grille as described under **Replacing the inside frame**.



Pull the lateral plug cable off of the fluorescent lamp.



Remove the fluorescent lamps from the mountings and insert new ones. All of the other procedures take place in the reverse order of sequence.

Replacing the electronic power supply unit



Remove the inside frame as described under **Replacing the inside frame**.

Loosen the Phillips screws from the electronic power supply unit.



Thereafter, carefully remove the cable secured with hot-melt adhesive from the bedding.



The cables must also be detached from the luster terminal. Install the new part in the reverse order of sequence.

Attention! Make sure to carry out a check of the functions before securing the cables in place.

Replacing the cover with receiver



Remove the inside frame as described under **Replacing the inside frame**. Disconnect the plugs from the board as seen in the image to the left.



Thereafter, loosen the two Phillips screws and take off the cover. Install the new part in the reverse order of sequence.

Replacing the remote control



The new remote control must be synchronized with the receiver in the frame after it is installed. This is carried out as follows:

- Disconnect the power supply to the roof (e.g. pull out the fuse)
- Switch the power back on (interior control light blinks for approx. 30 seconds)
- During this time point the remote control at the roof and simultaneously press down the buttons "open roof" and "close roof" for approx. 5 seconds.
- After this procedure the LED goes out and the remote control is fully functional.
- The procedure must be repeated if the LED does not go out.