

Heki 3plus

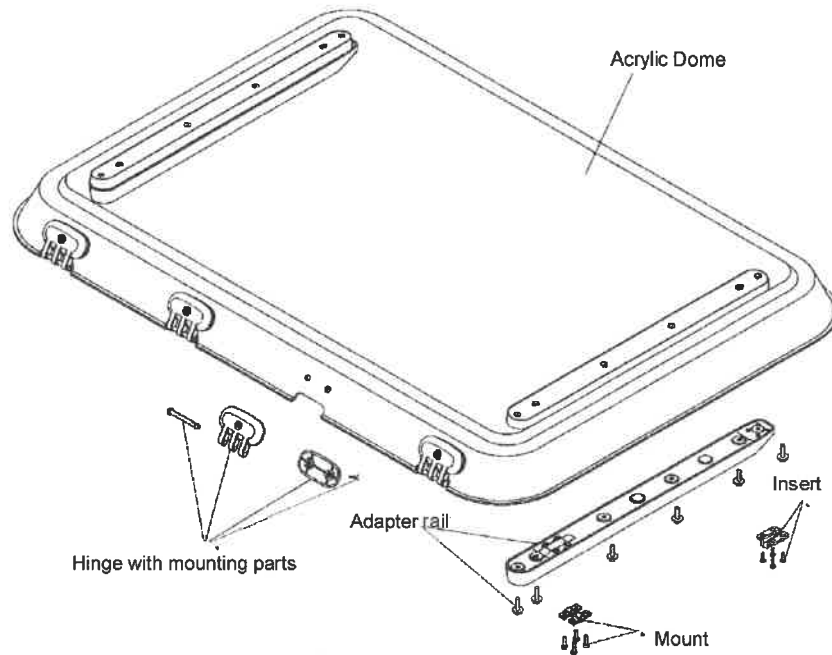


Außenansicht



Innenansicht

Glazing dome



PROBLEM:

- Replacing the dome
- Replacing the adapter rail
- Replacing the hinge parts

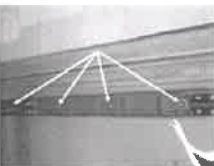
Replacing the glass dome



Open the glass dome all the way with the servo motor to detach the opening rods from the lifting mechanism (4 rods for each lifting mechanism).



Thereafter, the hinge pins must be removed with a long-nose pliers.



Place the glass dome carefully down on a padded surface and remove the Adapter rails in the same manner...



...as the hinges.

Install the new part in the reverse order of sequence.

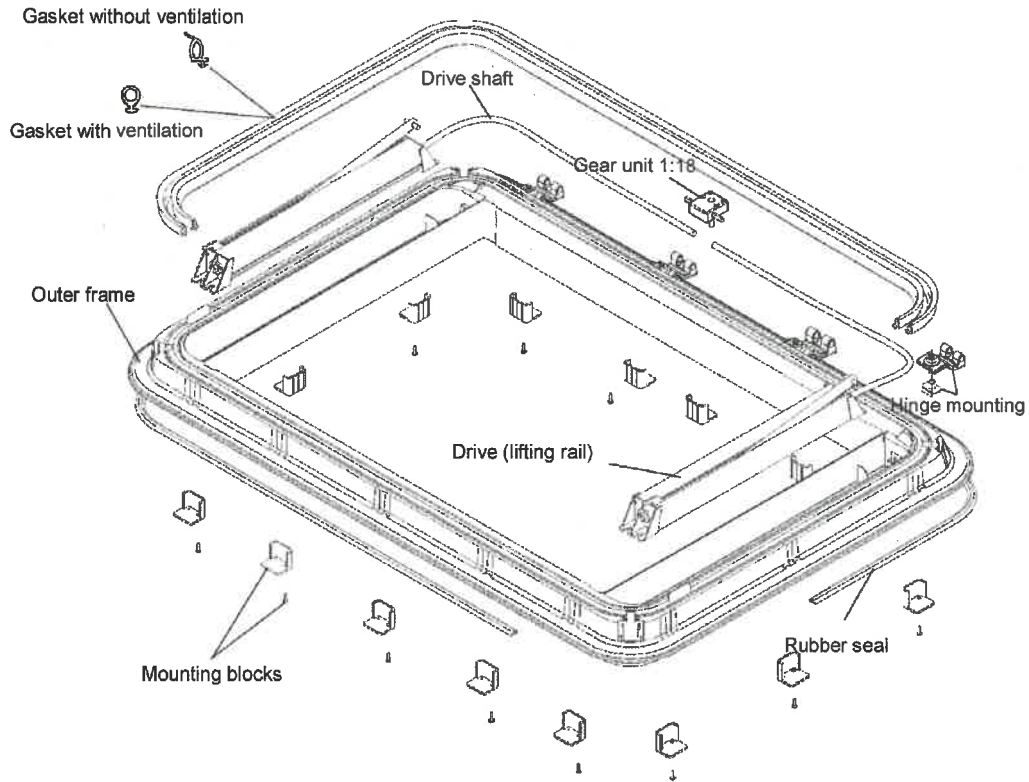
Replacing the adapter rail

Remove the adapter rail as described under **Replacing the glass dome**.

Replacing the hinge parts

Remove the hinge parts as described under **Replacing the glass dome**.

Outer frame



PROBLEM:

- Replacing the outer frame**
- Replacing the rubber seal**
- Replacing the lifting rail**
- Replacing the gear unit**

Replacing the outside frame



Remove the inside frame as described under **Replacing the inside frame**.

Remove the inside frame and loosen the Phillips screws on the mountings.

Attention! The risk of rupturing the roof sheeting exists when the main frame is removed.

Begin by trying to lift the complete outer frame on one of the corners upward. Remove any sealing residue from the surface of the roof and clean with a grease free agent. Apply a suitable sealing agent (e.g. butyl) onto the sealing surface of the outer frame before installing the main frame. Install the outside frame in the reverse order of sequence.

Replacing the rubber seal



Open the glass dome all the way. Take the profile gasket out of the groove. The profile gasket is glued on the corners (radii) and on the butts with super glue. A razor blade or a small screw driver must be used to remove adhesive or rubber residue from the groove. Insert new gaskets and glue them in place.

Replacing the lifting rail

Remove the inside frame as described under **Replacing the inside frame**.



Loosen the 4 Phillips screws before removing the lifting device.



Pull the drive shaft off the hexagonal bolt. Install the new part in the reverse order of sequence.

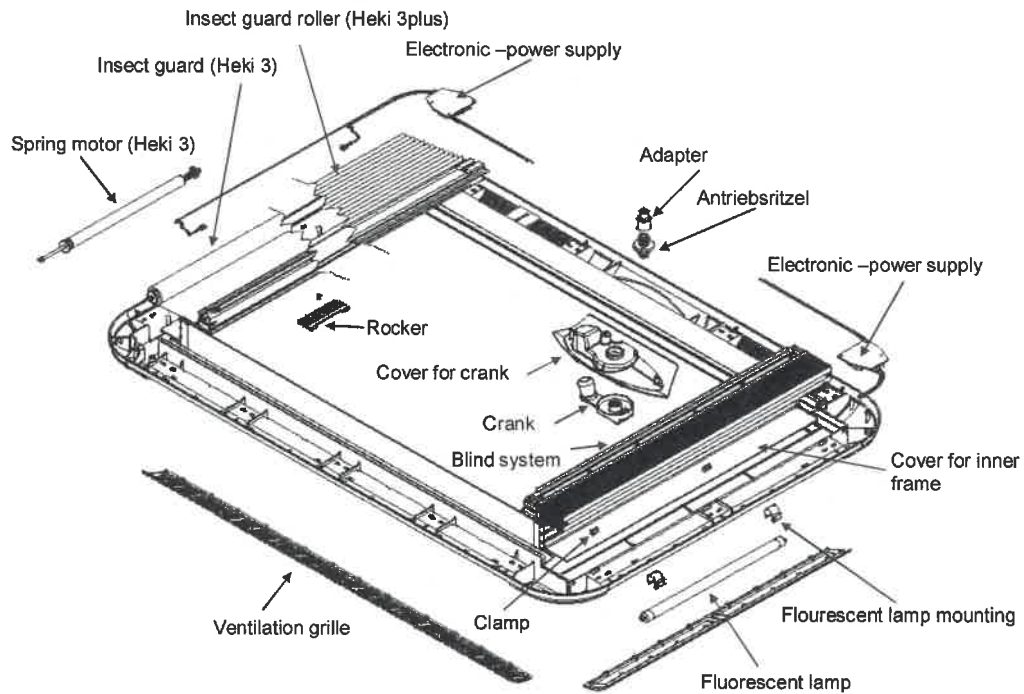
Use a screw retaining device (e.g. Loctite) when tightening the Phillips screws.

Replacing the gear unit



Remove the inside frame as described under **Replacing the inside frame**. Loosen the Phillips screws and pull the drive shaft off the hexagonal bolt. Remove the drive and install the new part in the reverse order of sequence.

Inner frame



PROBLEM :

Replacing the inner frame
Replacing the blind system
Replacing the gauze screen
Replacing the fluorescent lamps
Replacing the electronic-power supply

Replacing the inner frame



Remove the ventilation grille (be careful not to over-bend) and loosen the screws located underneath it (also those under the fluorescent lamps). Installation takes place in the reverse order of sequence.

Replacement of the blackout system

Take off the inner frame in the same way as described in '**Replacement of the inner frame**'.



Release the pinned-up lateral blinds by unclipping them.



Dismantle the three spring clips for fixing the blackout fabric with the aid of a screwdriver.



Release the four luster terminals on the lateral rod guides. The spring clips and luster terminals on the opposite side (gauze screen) must be released in the same way.



Pull back the lateral rod guide with the aid of pointed pliers, until the blackout system is released from the rod guide.



The welded cord-pull holder on the inner frame has to be exposed on blackout side with the aid of side-cutting pliers, in order to remove the cords afterwards.

Push the complete folding interior blind with the closing rod backwards until it touches the inner frame and then remove it. It is absolutely essential to pay attention that the cords are positioned accurately during the replacement, in order to ensure the function afterwards.



The cord pull is secured in the inner frame with the aid of a soldering iron (renewed welding).

The rod is fixed with the lustre terminals and other components (lateral blind, etc.) in reverse order to the dismantling.

Replacement of the gauze screen

The gauze screen is replaced in the same way as described in 'Replacement of the blackout system'.

Replacing the fluorescent lamps

Remove the ventilation grille as described under 'Replacing the inside frame'.



Pull the lateral plug cable off of the fluorescent lamp.



Remove the fluorescent lamps from the mountings and insert new ones. All of the other procedures take place in the reverse order of sequence.

Replacing the electronic power supply unit



Remove the inside frame as described under 'Replacing the inside frame'. Loosen the Phillips screws from the electronic power supply unit.



Thereafter, carefully remove the cable secured with hot-melt adhesive from the bedding.



The cables must also be detached from the luster terminal. Install the new part in the reverse order of sequence.

Attention! Make sure to carry out a check of the functions before securing the cables in place.