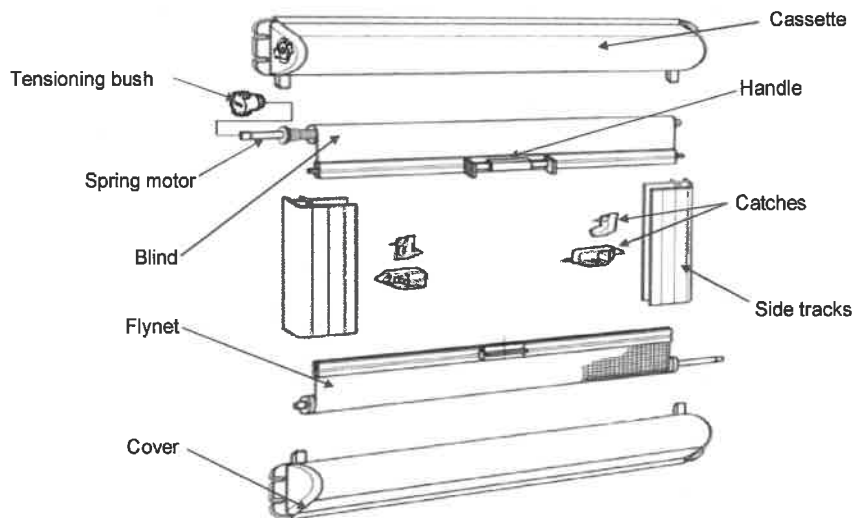


## Mini-Double-Cassette-Blind



### PROBLEM DESCRIPTION:

**Defective spring motor**

**Exchanging blind or flynet**

**Defective handle**

### Defective spring motor



Unwind the spring motor using a screwdriver. Turn the tensioning bush clockwise until it cannot be turned further and pull outwards carefully

**Attention!** Risk of injury resulting from the spring jumping out or recoiling uncontrollably.

Press the spring shaft back in the cassette with your finger or pliers and remove the rollos. Pull out the spring motor from the grooved tube and insert the new spring motor, insert blind in the cassette, place the tensioning bush and wind according to the **winding rule** below. Place the tensioning bush in its housing and turn in an anti-clockwise direction until it cannot be turned further.

**Winding rule:** Tube length in mm/100 +3= revolutions of the spring shaft

**Example:** Tube length =1000mm  $1000\text{mm}/100+3=13$  i.e. 13 revolutions in a clockwise direction

### Exchanging blind or flynet

Remove Rollo as per **defective spring motor** and exchange corresponding Rollo. Re-assemble in reverse order. Wind spring motor according to the **winding rule**.

### Defective handle



Disassemble rollos as described under **defective spring motor**. Swallowtail profile can be removed from the end bar by lifting the side buttons. Re-assemble in reverse order.



Remove handle from the recessed rest position by pushing it sideways with a plastic hammer. Assemble in reverse order.



Rollos with a width superior to 580mm are equipped with supplementary catches which guarantee a uniform closure. These can be removed from the recessed rest position by pushing sideways with a plastic hammer as well.