



**Dometic
Spare parts list**

When ordering parts, always state:

MODEL NO. - PRODUCT NO. - QUANTITY -

PART NO. - DESCRIPTION

For electric details also state:

VOLTAGE - WATTAGE

Add a 0 in front of part numbers with less than 10 digits

Recreational Vehicle Refrigerator

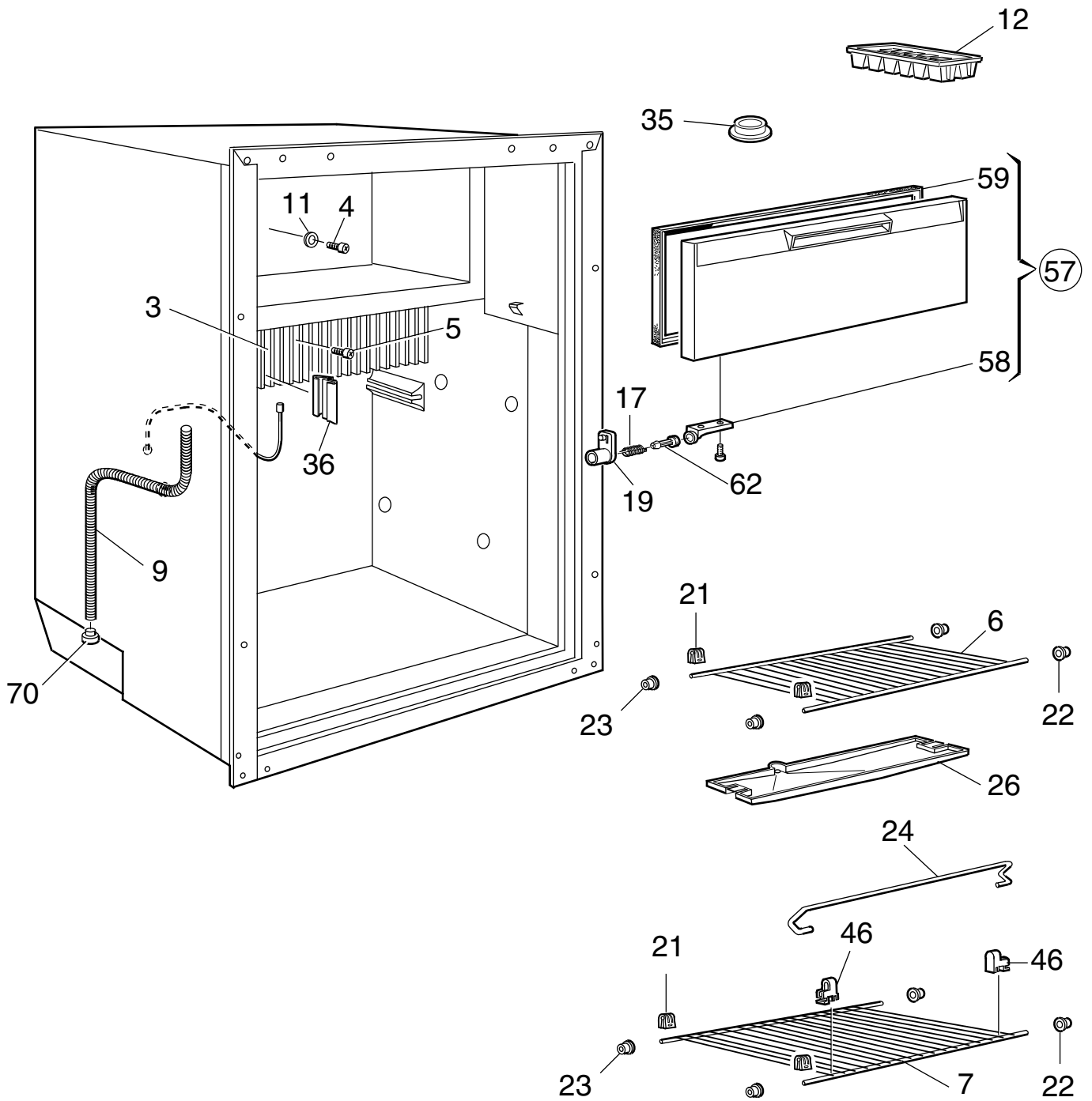
PNC	Voltage	Brand	Model	Door	Market
921145061		Dometic	RM2355		AU - NZ

Recreational Vehicle Refrigerator

SERVICE OFFICE
Dometic Motala

Publication-No.
599708068
2009/04/09

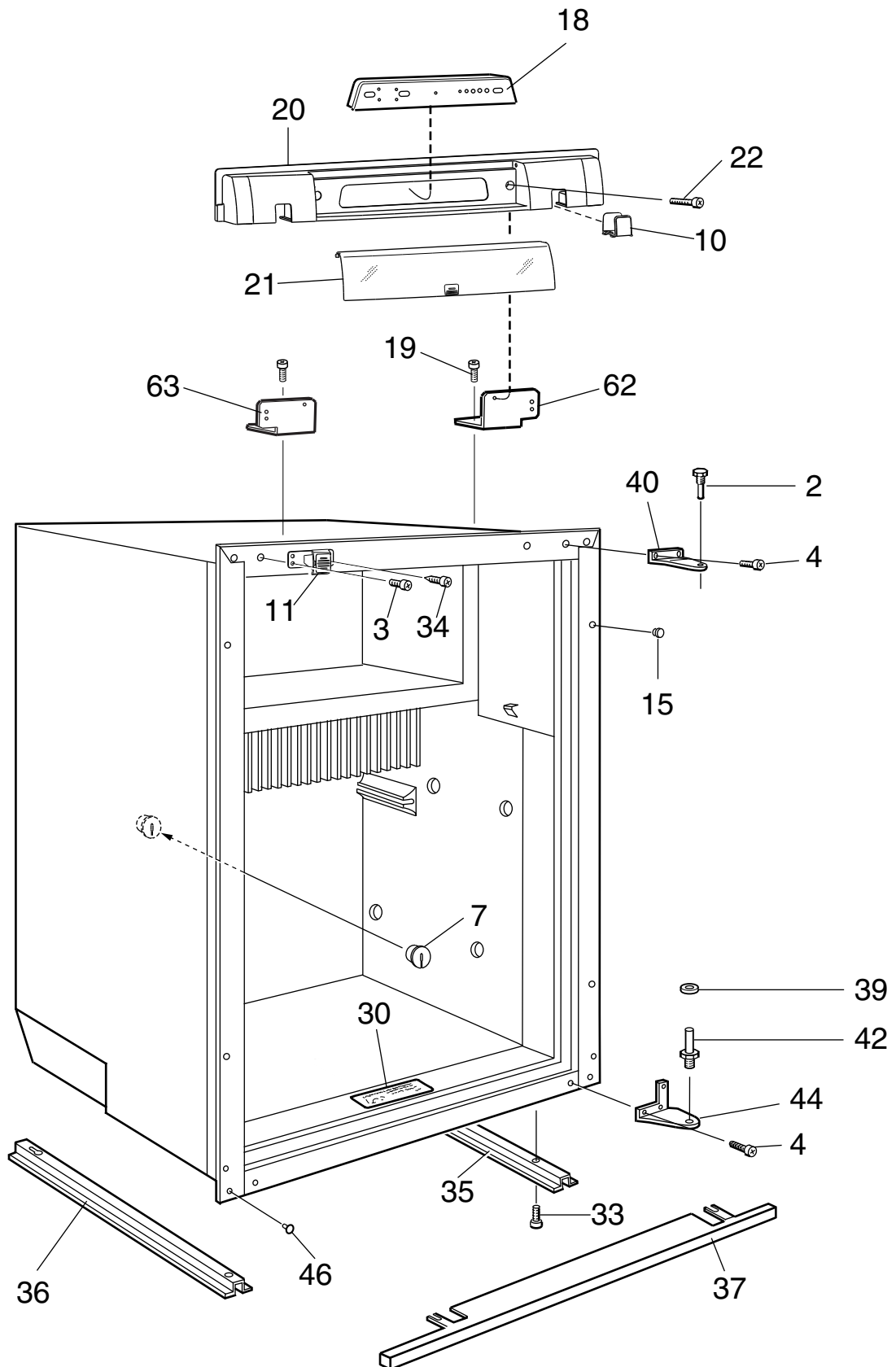
© Dometic



NCMOD2089360

Matrix	PNC	ELC	ProdDate	Model
A	921145061	00	20080515	RM2355

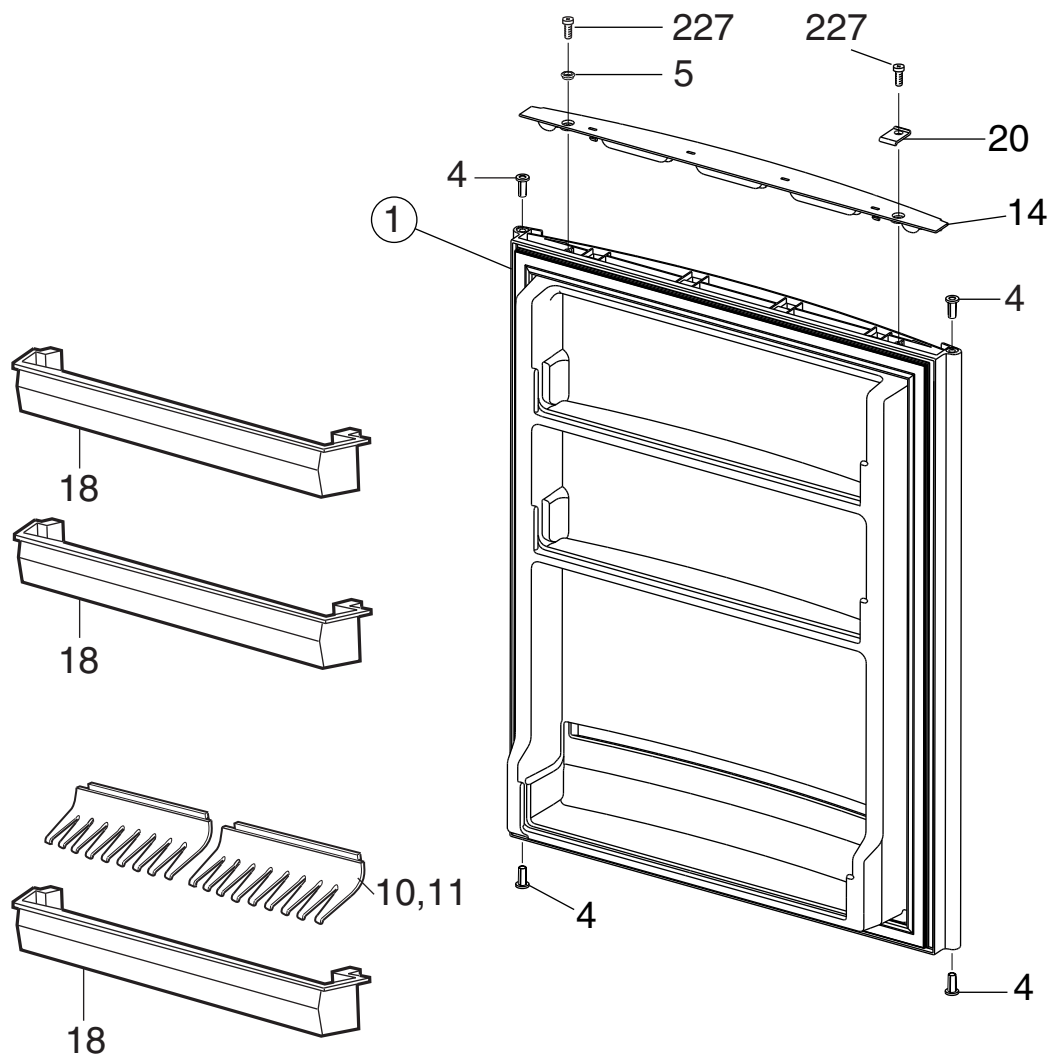
Pos	Part No.	Matrix	Description
3	3850291018	A	Cooling flange
4	3858036019	A	Screw, zinc-plated, KFXS B10X38
5	3858002292	A	Screw, zinc-plated, RXS B10, 4, 8x19
6	3850301023	A	Shelf
7	2932022045	A	Shelf
9	2932749118	A	Drainage hose, white, L=1060
11	3858010121	A	Washer, stainless, BRB 6, 4x12, 5
12	2930400003	A	Ice tray
17	2932754019	A	Spring, left
17	2932754027	A	Spring, right
19	2002236004	A	Spring casing, left
19	2002236012	A	Spring casing, right
21	2932102011	A	Shelf support
22	2932101013	A	Plug
23	2932103019	A	Plug
24	2007337229	A	Rack
26	3850274014	A	Drip protection
35	2007645019	A	Water level
36	3851088017	A	Bracket, thermistor
46	2930693045	A	Holder
57	2002239271	A	Freezer flap
58	2002244008	A	Hinge, evaporator flap, white
59	2933145027	A	Gasket, evaporator flap, white
62	2002238000	A	Bolt
70	2932115013	A	Discharge pipe, plug



NCMOB2089361

Matrix	PNC	ELC	ProdDate	Model
A	921145061	00	20080515	RM2355

Pos	Part No.	Matrix	Description
2	2932415017	A	Hinge pin, upper
3	3858039088	A	Screw, zinc-plated, M5x10
4	3858056025	A	Screw, zinc-plated, MFX M5X10
7	2002301006	A	Cover
10	3851139018	A	Cover plate, black
11	3851138010	A	Door catch, black
15	3850336029	A	Plug, black
18	3850741020	A	Display, assembly, black, AESIII
19	3858002144	A	Screw, zinc-plated, RXS B6X9, 5
20	3851141022	A	Front decoration, black
21	3851146013	A	Cover, transparent
22	3858039062	A	Screw, zinc-plated, MRX-TT M4x20
30	3850953005	A	Instruction plate
33	3858039096	A	Screw, zinc-plated, MRX M5X14
34	3858002219	A	Screw, zinc-plated, RXS B10 4, 8x9, 5
35	2932486018	A	Runner, right
36	2932486026	A	Runner, left
37	2932325042	A	Base, front, black
39	3858010089	A	Washer, zinc-plated, 5, 5X12X1
40	3850270012	A	Hinge, right
42	3850269014	A	Hinge pin, lower
44	3850340013	A	Hinge, lower right
46	3850362025	A	Plug, black
62	2933056018	A	Holder
63	2933056026	A	Holder
999	3850304068	A	Door reversing kit, right-left, black not shown

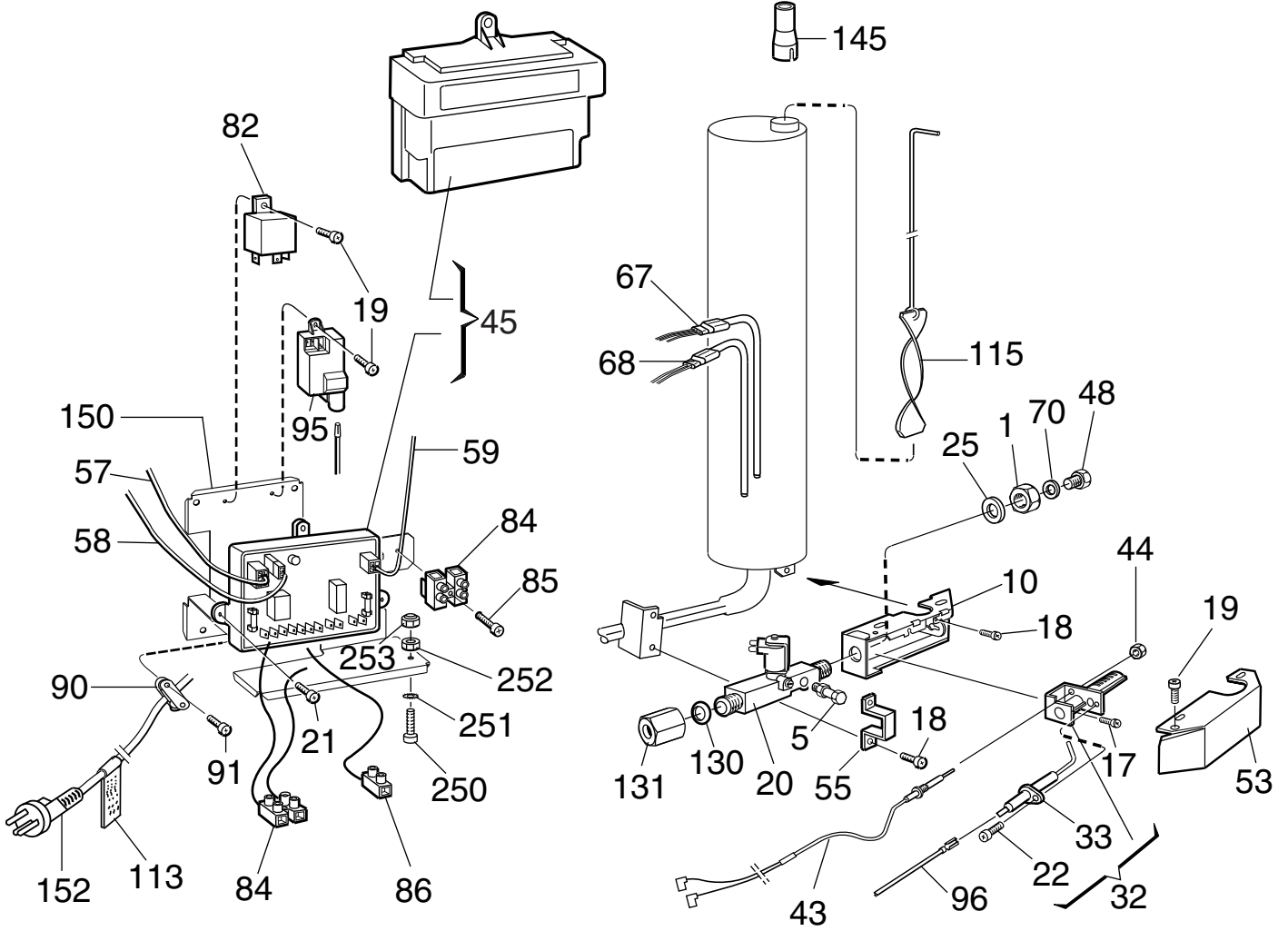


PCMOA3006925

Exploded view no.: PCMOA3006925
P00003007101

Matrix	PNC	ELC	ProdDate	Model
A	921145061	00	20080515	RM2355

Pos	Part No.	Matrix	Description
1	3851163034	A	Refrigerator door,black
4	2931171066	A	Hinge bushing,black
5	3850261029	A	Plug,black
10	2930715053	A	Bottle holder,179mm
11	2930715061	A	Bottle holder,202mm
14	3851136014	A	Decoration strip,black
18	2002261242	A	Door shelf
20	3850260021	A	Lock plate,black
227	3858002037	A	Screw,zinc-plated,RXS B8, 4,2x13



NCMOH2089364

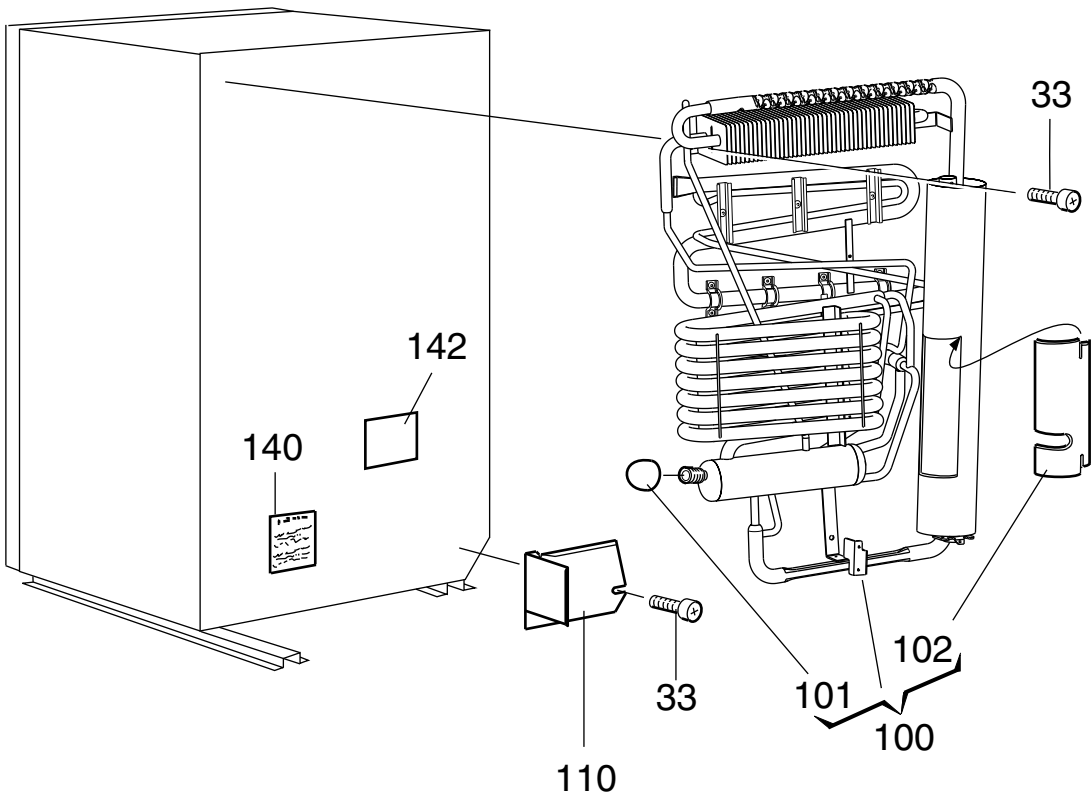
Matrix	PNC	ELC	ProdDate	Model
A	921145061	00	20080515	RM2355

Pos	Part No.	Matrix	Description
1	140207044	A	Nut
5	2932097013	A	Nipple
10	2932603018	A	Burner housing
17	3858039039	A	Screw, zinc-plated, MRX M4X8
18	3858039047	A	Screw, zinc-plated, MRX M4X10
19	3858002144	A	Screw, zinc-plated, RXS B6X9,5
20	2932615038	A	Solenoid valve
21	3858002151	A	Screw, zinc-plated, RXS B6X13
22	3858005014	A	Screw, zinc-plated, RXK B6X9,5
25	3858010071	A	Washer, 12, 5X18, 5X1
32	2930697061	A	Burner
33	2930379009	A	Electrode
43	2932052018	A	Thermocouple
44	2801043015	A	Nut
45	3850610019	A	Electronics module, assembly, AESIII
48	2007419159	A	Jet, no39
53	2932661016	A	Cover
55	2932662014	A	Bracket
57	2954542060	A	Conductor, PCB
58	3851059034	A	Conductor, thermistor
59	2954540056	A	Conductor, solenoid valve
67	3850644604	A	Heater, 175W, 240V
68	3850646054	A	Heater, 175W, 12V
			From serial no. 91500001
68	3850646104	A	Heater, 175W, 12V
			Up to serial no. 91100015
70	2007457001	A	Washer, 0, 5mm
82	3851334007	A	Relay
84	3858022019	A	Terminal block
85	3858002185	A	Screw, zinc-plated, RXS B6X25
86	3858062015	A	Terminal block
90	2932342013	A	Cable clamp
91	3858002177	A	Screw, zinc-plated, RXS B6X19
95	2932347012	A	Spark generator
96	2931360057	A	Ignition cable
113	2932733005	A	Label
115	2007172022	A	Flame spreader
130	2930500000	A	Seal washer, copper
131	3850743018	A	Connection, nipple
145	2932195015	A	Adaptor
150	3850754015	A	Bracket
152	3850555040	A	Cord set
250	3858004033	A	Screw, zinc-plated, MRX M4X16
251	3858011012	A	Lock washer, zinc-plated, 4, 3X8

Exploded view no.: NCMOH2089364
P00003007102

Matrix	PNC	ELC	ProdDate	Model
A	921145061	00	20080515	RM2355

Pos	Part No.	Matrix	Description
252	3858009016	A	Hexagon nut, zinc-plated, M4X3, 2
253	3858028024	A	Lock nut, zinc-plated, M4



NCMOE2089365

Exploded view no.: NCMOE2089365
P00003007103

Matrix	PNC	ELC	ProdDate	Model
A	921145061	00	20080515	RM2355

Pos	Part No.	Matrix	Description
33	3858039096	A	Screw, zinc-plated, MRX M5X14
100	2934341096	A	Cooling unit, 341
101	173228008	A	Cap
102	2800821007	A	Cover
110	3850601026	A	Protection
140	3850582002	A	Label
142	3850584008	A	Label
999	8251240084	A	User manual Up to serial no. 91100015
999	8251240092	A	User manual From serial no. 91500001