



# CLIMATE CONTROL THERMOSTAT

## EN CT Single Zone Thermostat Product Change Notice

**USA & Canada**  
Service Office  
Dometic Corporation  
1120 North Main Street  
Elkhart, IN 46514

**Service Center &  
Dealer Locations**  
Visit:  
[www.dometic.com](http://www.dometic.com)

Current production CT Single Zone Thermostats (CTTs) are experiencing non-safety related nuisance issues.

### Issue Description:

CTTs have been found to change temperature, mode, and units after installation, without user direction. Some of these errors are occurring instantly, while others are occurring after the CTT has been in use for a period of time. These occurrences come from intermittent contact between the conductive foam inside the cavity of the CTT and the spade connectors on the board.

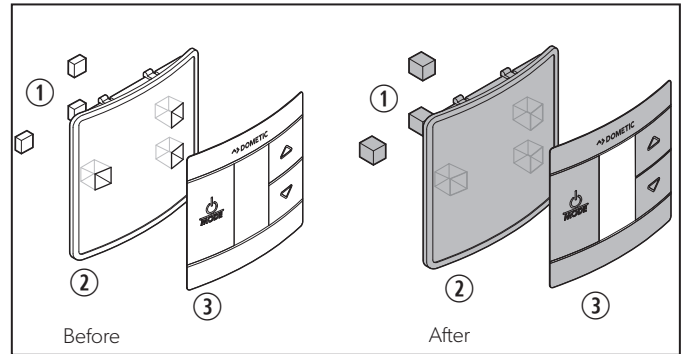
In addition, some CTTs are failing to respond to touch after installation. The response failure is due to the capacitance variation on the overlay.

### Resolution:

Dometic is releasing a new faceplate assembly for the CTT (standard and bluetooth versions) in an effort to ensure reliable thermostat performance during all conditions.

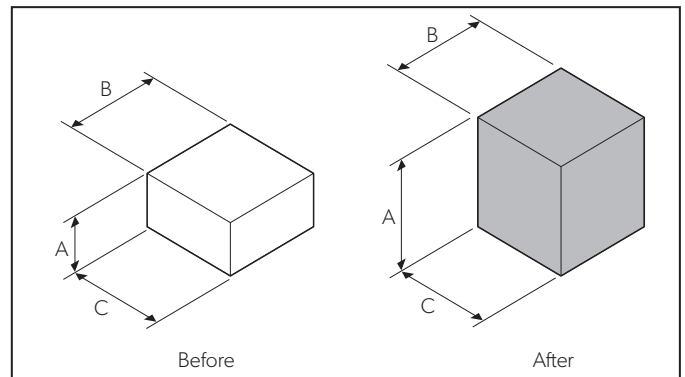
New part numbers will be assigned for the faceplate assembly, individual CTT, and the service kit accordingly. The installation and usage of the new CTT remains the same as the existing unit.

The following figures show the changes to the foam, plastic, and overlay components of the CTT faceplate assembly.



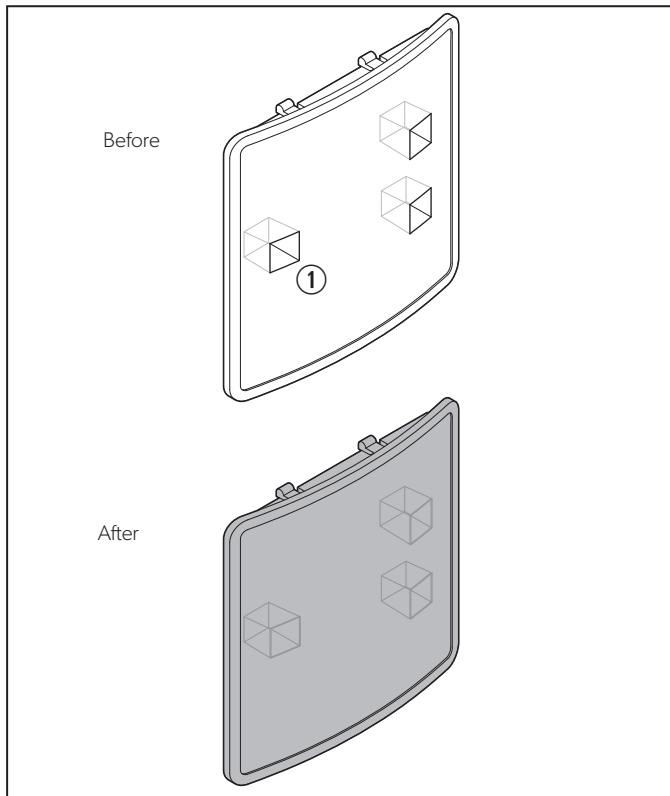
### 1 Assembly

- ① Foam
- ② Plastic
- ③ Overlay



### 2 Foam Sizing: Before and After

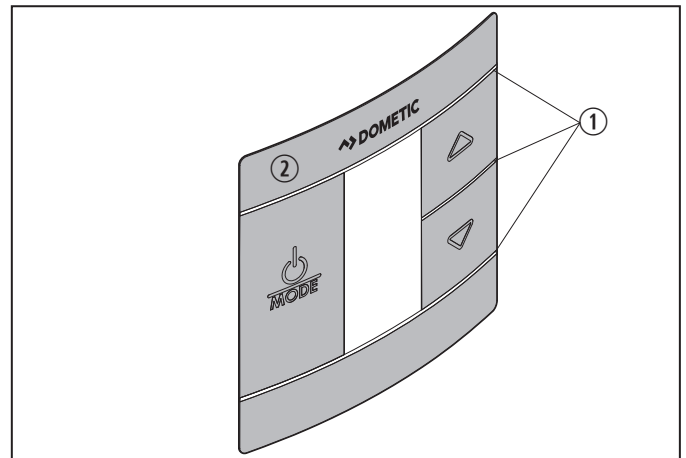
Dimension	Original	New
<b>A</b>	0.25 in. (7 mm)	0.6 in. (16 mm)
<b>B</b>	0.5 in. (13 mm)	0.5 in. (13 mm)
<b>C</b>	0.5 in. (13 mm)	0.5 in. (13 mm)



**3** Plastic: Before and After

① Hole

- The material has changed from a clear Lexan polycarbonate to a pre-textured Lexan polycarbonate.
- The holes are covered in the new design.



**4** Overlay

① Gloss Strips

② Overlay

Overlay Component	Original	New
<b>Gloss Strip</b>	0.04 in. (1.1 mm)	0.03 in. (0.8 mm)
Overlay Color	Original	New
<b>Black</b>	Black ink	Non-conductive ink (Bone Black color)
<b>White</b>	Light Blocker	Non-conductive light blocker applied to the rear surface