

DOMETIC

AWNINGS

9200

EN

9200 Awning Motor End Cap Rivet Service Bulletin

Please read these instructions carefully.

USA & Canada

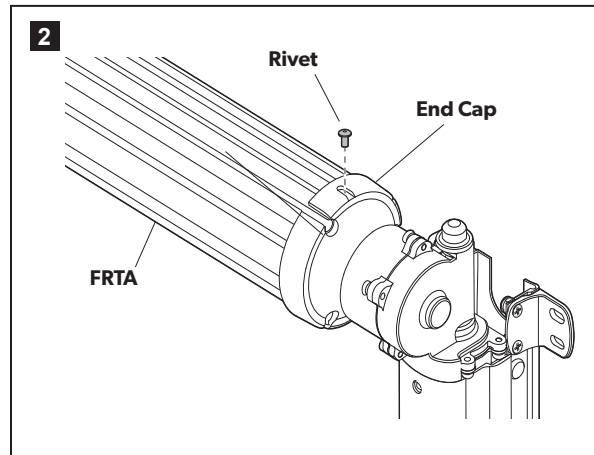
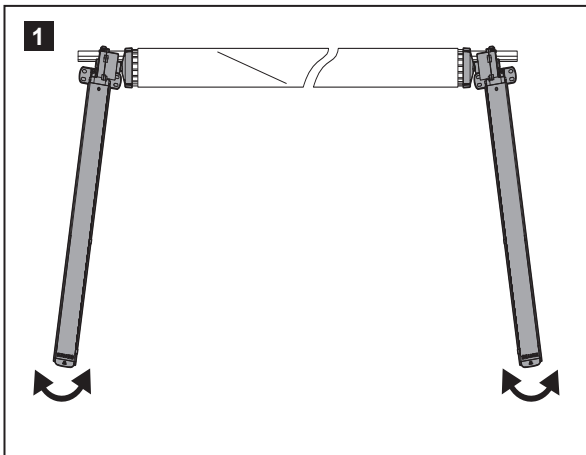
Service Office
Dometic Corporation
1120 North Main Street
Elkhart, IN 46514

Service Center & Dealer Locations

Visit:
www.dometic.com

Model	Serial Number Range
All 9200 Series Awnings	Serial Numbers prior to #s starting with 829

Dometic has identified a **nuisance issue (not safety-related)** that could occur during the installation process on the new Dometic 9200 Series Awning. This issue can potentially occur when the awning assembly is being handled or attached to the RV. If the installer separates the two awning arms from an aligned and parallel position, creating a deflection of more than 12 inches between the arms, one or more of the rivets securing the motor end cap to the fabric roller tube may shear. This can occur on all Dometic 9200 Series Awning models with serial numbers starting with 829. The fault code is 399 – 80 and the flat rate is 0.3 hour. Please call the Dometic Technical Service Department at 1-800-216-5115 opt. 6 for assistance with this issue.



- To correctly handle and install the awning assembly, ensure that the awning arms maintain an aligned and parallel position until the awning assembly is properly secured.

i After the awning assembly is secured to the RV, there is no further risk to the end cap rivets shearing.

- If the rivets securing the end caps shear during handling or installation of the awning assembly, contact Dometic to obtain the stainless steel rivet kit (part number 308171.021) and complete any repair activities as needed.