



RECORD THIS INFORMATION FOR FUTURE REFERENCE:	
Date Installed	_____
Installed By	_____
Product Serial Number	_____

SERVICE INSTRUCTIONS

**3313107.123
KIT, SVC CAPACITOR 40 & 7.5 MFD
FOR
3241C251 AIR CONDITIONER**



Read these instructions carefully. These instructions MUST stay with this product.

REVISION A
Form No. 3315700.000 01/17
©2017 Dometic Corporation
LaGrange, IN 46761

USA
SERVICE OFFICE
Dometic Corporation
1120 North Main Street
Elkhart, IN 46514

CANADA
Dometic Corporation
46 Zatonski, Unit 3
Brantford, ON N3T 5L8
CANADA

SERVICE OFFICE & DEALER LOCATIONS
Visit:
www.eDometic.com

INTRODUCTION

This kit is designed for and may only be installed on a 3241C251 air conditioner (hereinafter referred to as “unit”, or “product”).


Installation can take place prior to or after the unit is installed. Use these instructions to ensure a properly installed, and properly functioning product.

Dometic Corporation reserves the right to modify appearances and specifications without notice.

TABLE OF CONTENTS

INTRODUCTION	2
DOCUMENT SYMBOLS	2
IMPORTANT SAFETY INSTRUCTIONS.....	3
A. Recognize Safety Information	3
B. Understand Signal Words.....	3
C. Supplemental Directives.....	3
D. General Safety Messages	3
GENERAL INFORMATION.....	3
A. Scope Of Delivery.....	3
B. Required Tools.....	3
REPLACE RUN CAPACITOR	4
A. Remove Run Capacitor	4
B. Install New Capacitors.....	5
C. Rewire Capacitors	6
FINISH INSTALLATION.....	6
A. Inspect Connections	6
B. Electrical Box Cover	6
C. Outside Plastic Shroud.....	6
VERIFY INSTALLATION.....	6
A. Power Supplies.....	6
B. Test Operation	6
C. Keep Literature	6

DOCUMENT SYMBOLS

 Indicates additional information that is **NOT** related to physical injury.

 Indicates step-by-step instructions.

IMPORTANT SAFETY INSTRUCTIONS

This manual has safety information and instructions to help you eliminate or reduce the risk of accidents and injuries.

A. Recognize Safety Information



This is the safety alert symbol. It is used to alert you to potential physical injury hazards. Obey all safety messages that follow this symbol to avoid possible injury or death.

B. Understand Signal Words

A signal word will identify safety messages and property damage messages, and will indicate the degree or level of hazard seriousness.

WARNING indicates a hazardous situation that, if **NOT** avoided, could result in death or serious injury.

CAUTION indicates a hazardous situation that, if **NOT** avoided, could result in minor or moderate injury.

NOTICE is used to address practices **NOT** related to physical injury.

C. Supplemental Directives



Read and follow all safety information and instructions to avoid possible injury or death.

Read and understand these instructions before [installing / using / servicing / performing maintenance on] this product.

Incorrect [installation / operation / servicing / maintaining] of this product can lead to serious injury. Follow all instructions.



The installation **MUST** comply with all applicable local and national codes, including the latest edition of the following standards:

U.S.A.

- ANSI/NFPA70, National Electrical Code (NEC)
- ANSI/NFPA 1192, Recreational Vehicles Code

CANADA

- CSA C22.1, Parts I & II, Canadian Electrical Code
- CSA Z240 RV Series, Recreational Vehicles

D. General Safety Messages



WARNING Failure to obey the following warnings could result in death or serious injury:

- This product **MUST** be [installed / serviced] by a qualified service technician.
- Do **NOT** modify this product beyond the scope of these service instructions. Modification (beyond these service instructions) can be extremely hazardous.
- Do **NOT** add any devices or accessories to this product except those specifically authorized in writing by Dometic Corporation.



CAUTION CUT HAZARD. Wear protective gloves while handling or working near sheet metal components. Sheet metal parts could have sharp edges. Failure to obey this caution could result in injury.

GENERAL INFORMATION

A. Scope Of Delivery

- (1) Service Instructions
- (1) 3100248.800 Capacitor, 40 MFD
- (1) 3100248.636 Capacitor, 7.5 MFD
- (1) 317188.000 Strap, Capacitor

B. Required Tools

- Volt-Ohm Meter
- Capacitor Discharge Tool
- Electric Drill (optional)
- #2 Phillips Screwdriver / Bit
- 5/16" Hex Nut Driver / Bit
- Pliers
- Diagonal Cutters

REPLACE RUN CAPACITOR

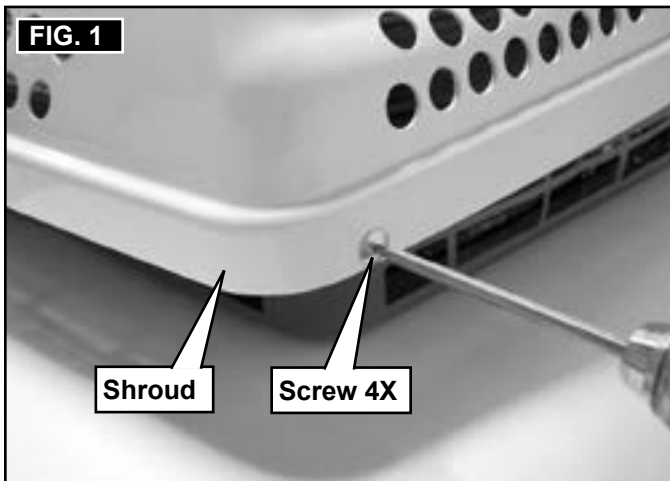
A. Remove Run Capacitor

i Before starting capacitor replacement, locate rating plate on bottom of unit and verify model number is 3241C251XX.

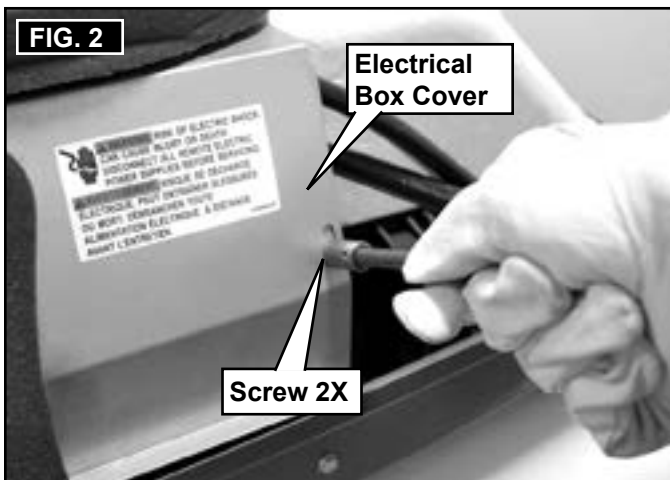
1. **⚠ WARNING** ELECTRICAL SHOCK HAZARD. Disconnect 120 Vac power from RV. Failure to obey this warning could result in death or serious injury.

NOTICE Disconnect the positive (+) 12 Vdc terminal from supply battery. Otherwise, damage to unit could occur.

2. Remove outside plastic shroud (with 4 screws). Save for reinstallation later. See (FIG. 1).



3. Remove electrical box cover (with 2 screws). Save for reinstallation later. See (FIG. 2).



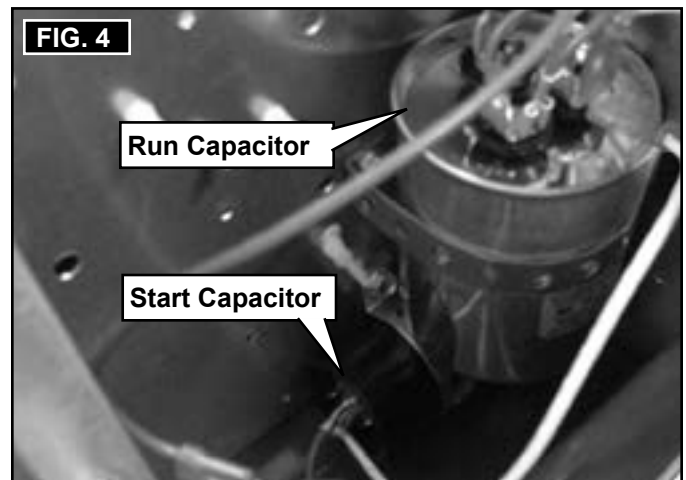
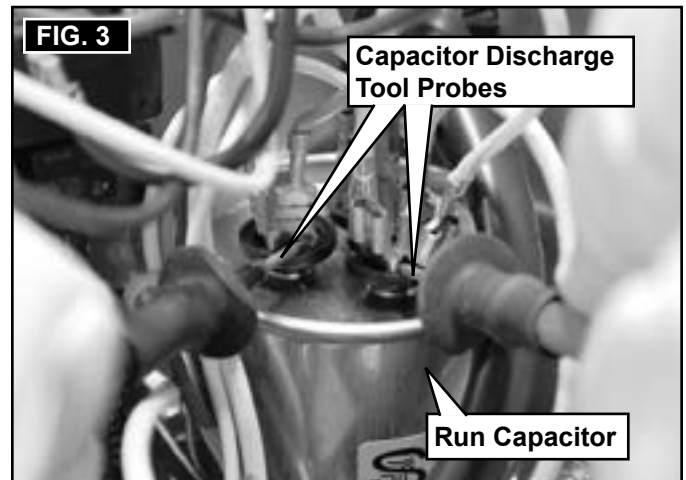
4. **⚠ WARNING** ELECTRICAL SHOCK HAZARD. The capacitor(s) in this product may contain stored electrical energy. **ALWAYS** discharge a capacitor properly before working near it. **NEVER** use a screwdriver or similar object to discharge a capacitor. Failure to obey this warning could result in death or serious injury.

Discharge capacitor using an appropriate capacitor discharge tool. Then **VERIFY** capacitor is discharged (using a volt-ohm meter). See (FIG. 3) & (FIG. 4).

i Do **NOT** use a volt-ohm meter to discharge a capacitor. The high impedance of modern volt-ohm meters make them ineffective for discharging capacitors.

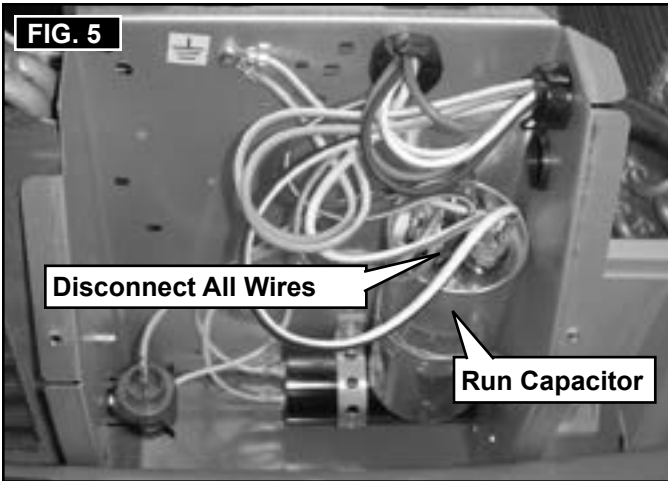
Capacitors may have more than (2) terminals. Touch and hold capacitor discharge tool's probe to **ALL** terminals on each capacitor until fully discharged.

Follow all instructions included with your volt-ohm meter and capacitor discharge tool.

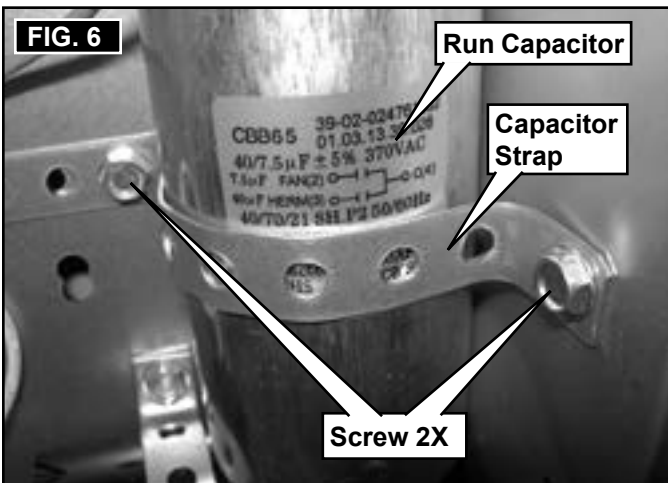


5. Disconnect all wires from run capacitor. See (FIG. 5).

REPLACE RUN CAPACITOR

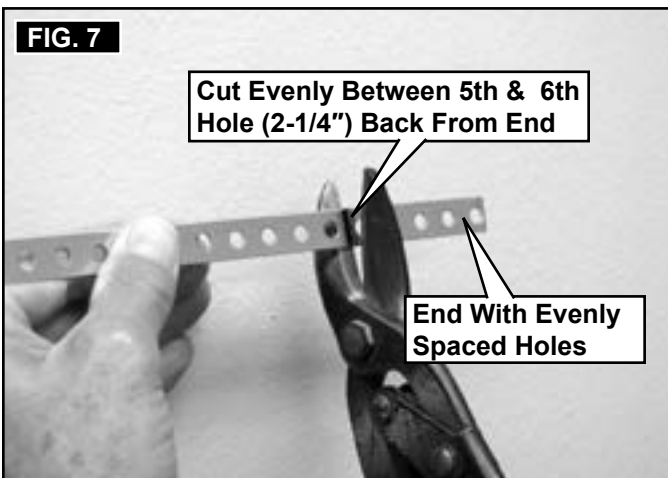


6. Remove and discard run capacitor & capacitor strap (with 2 screws) Save screws for reinstallation later. See (FIG. 6).

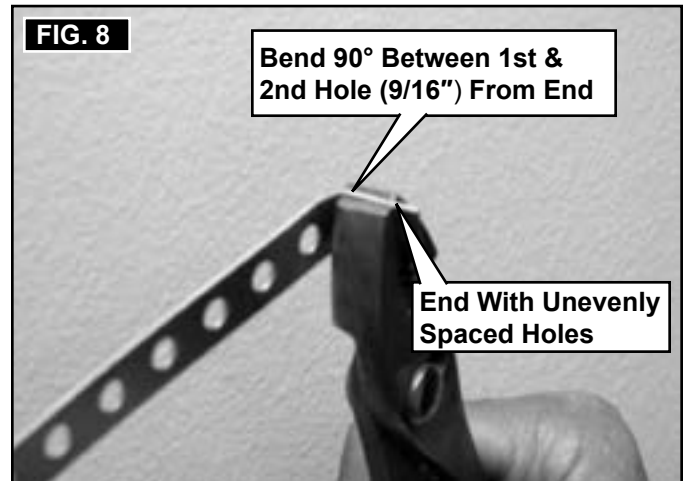


B. Install New Capacitors

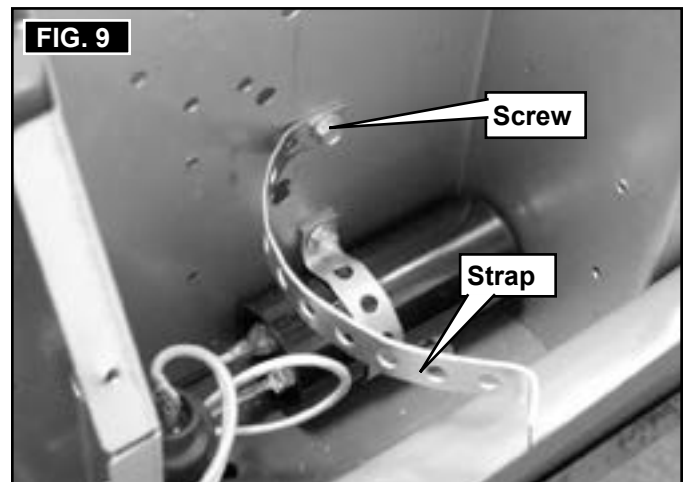
1. Mark and cut evenly between 5th and 6th hole (2-1/4") from end of supplied capacitor strap. See (FIG. 7). Cut end where holes are evenly spaced.



2. Bend 90 degrees between 1st & 2nd hole (9/16") from opposite end of strap. See (FIG. 8).



3. Attach straight end of strap to electrical box using one screw previously removed from old strap. See (FIG. 9).



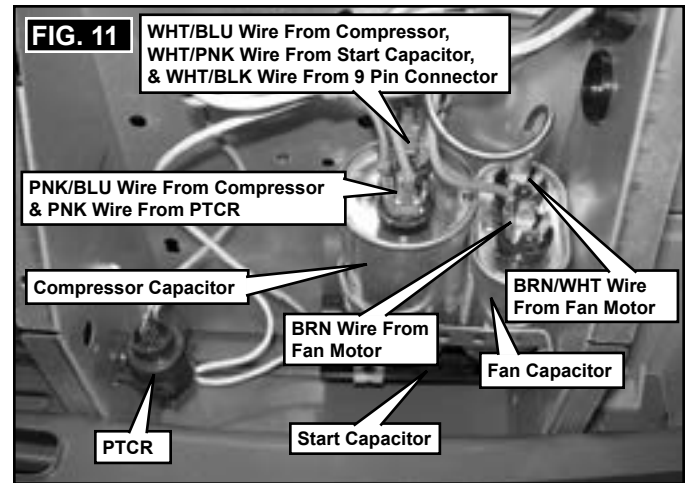
4. Place both capacitors in position and secure with strap and screw. See (FIG. 10).



REPLACE RUN CAPACITOR

C. Rewire Capacitors

1. Connect BRN wire from fan motor to one terminal on fan capacitor. See (FIG. 11).
2. Connect BRN/WHT wire from fan motor to other terminal of fan capacitor.
3. Connect PNK/BLU wire from compressor and PNK wire from PTCR to one terminal of compressor capacitor.
4. Connect WHT/BLU wire from compressor, WHT/PNK wire from start capacitor, and WHT/BLK wire from 9 pin connector to other terminal of compressor capacitor.



FINISH INSTALLATION

A. Inspect Connections

1. Inspect all connections to make sure they are tight and not touching other terminals or wires.

B. Electrical Box Cover

1. Reinstall electrical box cover. See (FIG. 2).

C. Outside Plastic Shroud

1. Reinstall outside plastic shroud. See (FIG. 1).

VERIFY INSTALLATION

A. Power Supplies

1. Reconnect 120 Vac and 12 Vdc power supplies.

B. Test Operation

1. Refer to unit operating instructions (or user's guide) and check operation.

C. Keep Literature

1. Keep these instructions with unit. They include new wiring diagram. See (FIG. 12).

