



When ordering parts, always state:
 MODEL NO. - PRODUCT NO. - QUANTITY -
 PART NUMBER - DESCRIPTION
 For Electric Details also state:
 VOLTAGE - WATTAGE

RM2354 Refrigerator Parts List

USA
 SERVICE OFFICE
 Dometic, LLC
 2320 Industrial Parkway
 Elkhart, IN 46516
 574-294-2511

CANADA
 Dometic, LLC
 46 Zatonski, Unit 3
 Brantford, ON N3T 5L8
 CANADA
 519-720-9578

**For Service Center
 Assistance Call:**
 800-544-4881

Product Number	Model Number	Voltage	Frame Color	Door Style	Door/Door Trim Color	Market	Brand
921145041	RM2354	120 VAC 12VDC	Black	Standard	Black	USA, Canada	Dometic
921145042	RM2354	120 VAC 12VDC	Black	Standard	Black	USA, Canada	Dometic

PARTS LIST

**MODEL
RM2354
Series**

ALPHABETICAL INDEX

	Page	Pos. No
Door Asm.	1-2	1-227
Cabinet, exterior components	3-4	2-999
Cabinet, interior components	5-6	3-70
Control & Burner components	7-8	1-253
Cabinet, rear view	9-10	33-999
Wiring Diagram	11	--

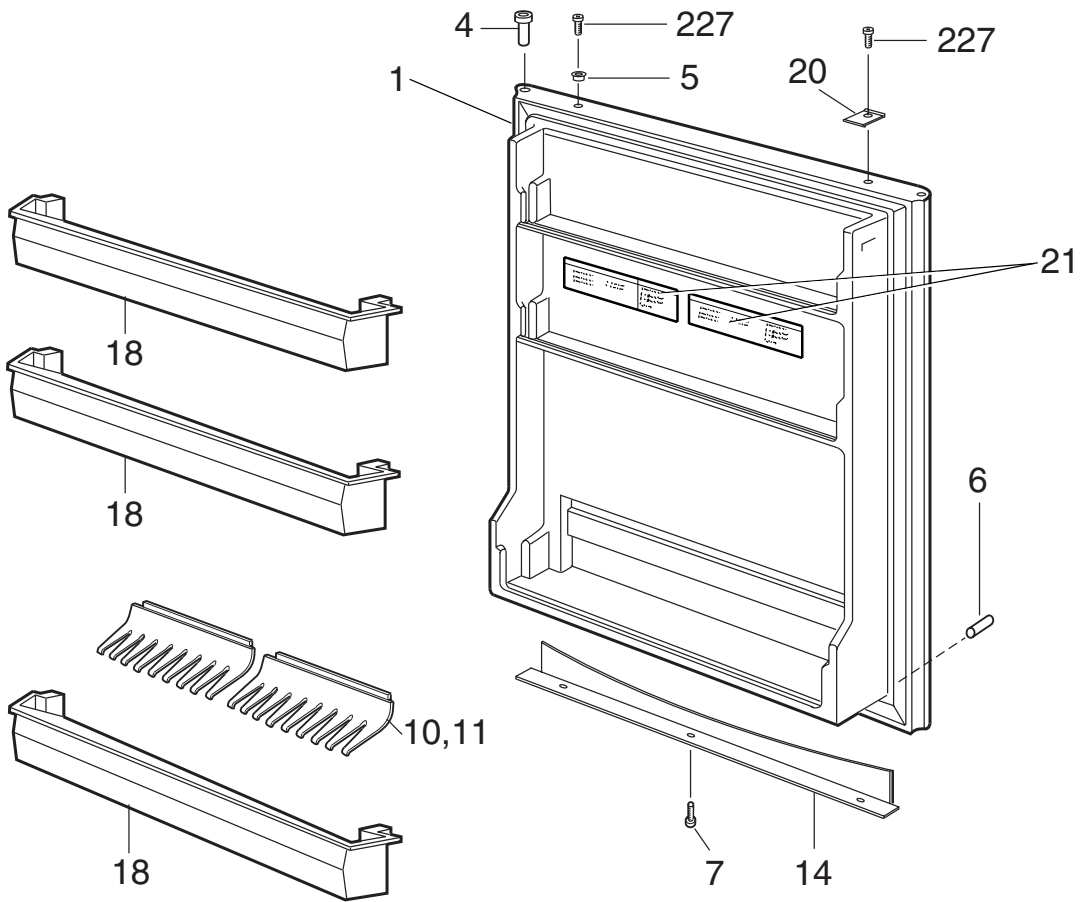
SPECIFICATIONS

PRODUCT NO.*	921145041 921145042	
Energy Source **	120VAC/12VDC/GAS	
AC Heating Element	120V	12V
Watts	175	175
Ohms	80	0.82
Amperage	1.5	14.6
BTU's Gas Burner	1000	
Jet Size	# 39	
Flue Baffle		
Size	3-15/16" x 25/32"	
Position Above Burner	1-15/32"	
Ice Trays	0	
Crispers	0	
Bottle Holders	2	

* Product number located on refrigerator data plate.

** 12 volt DC power is required to operate the refrigerator controls on all models.

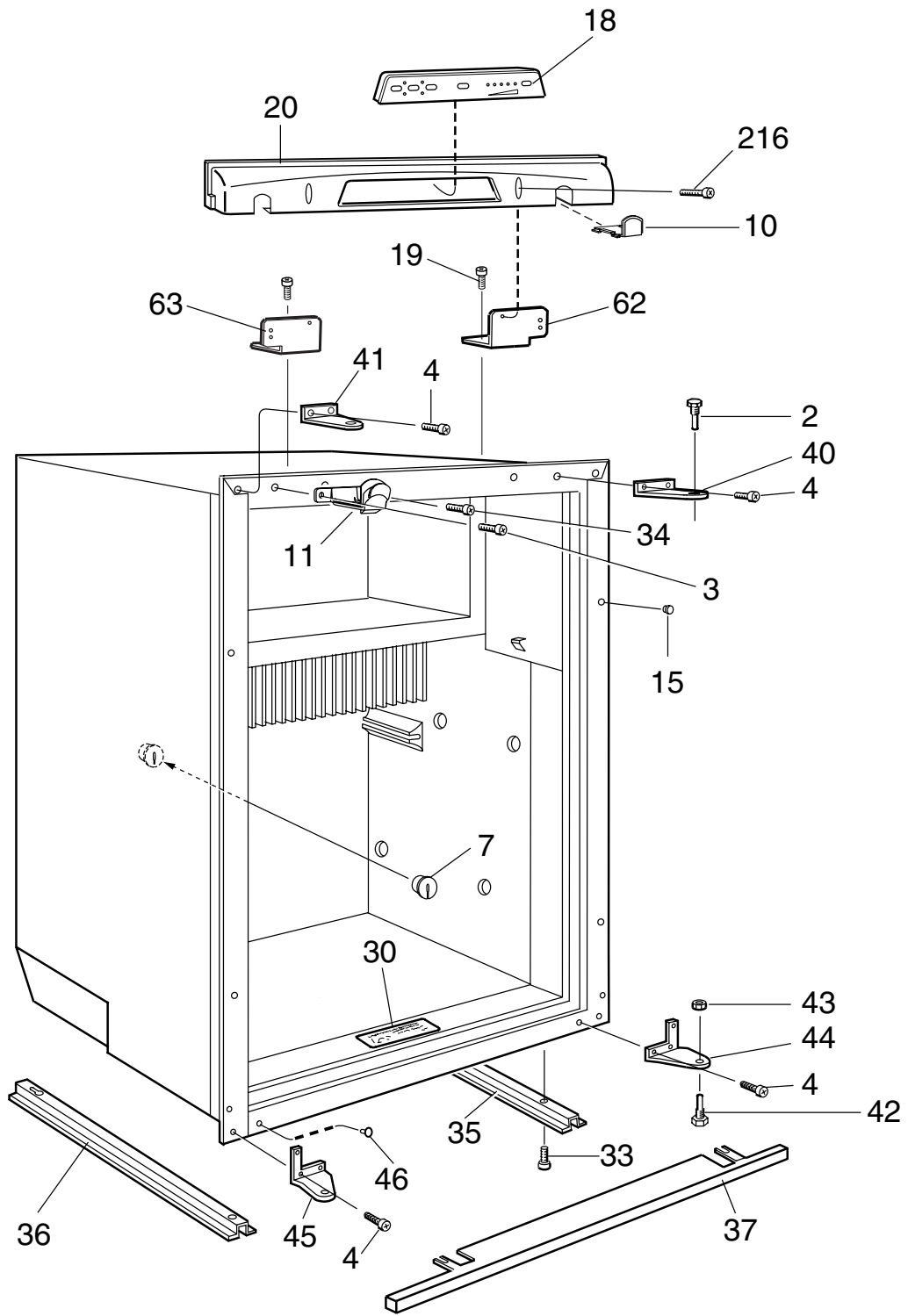
527009T



NCMOA2070338

Matrix	PNC	ELC	ProdDate	Model
A	921145041	00	20060511	RM2354
B	921145042	00	20060524	RM2354

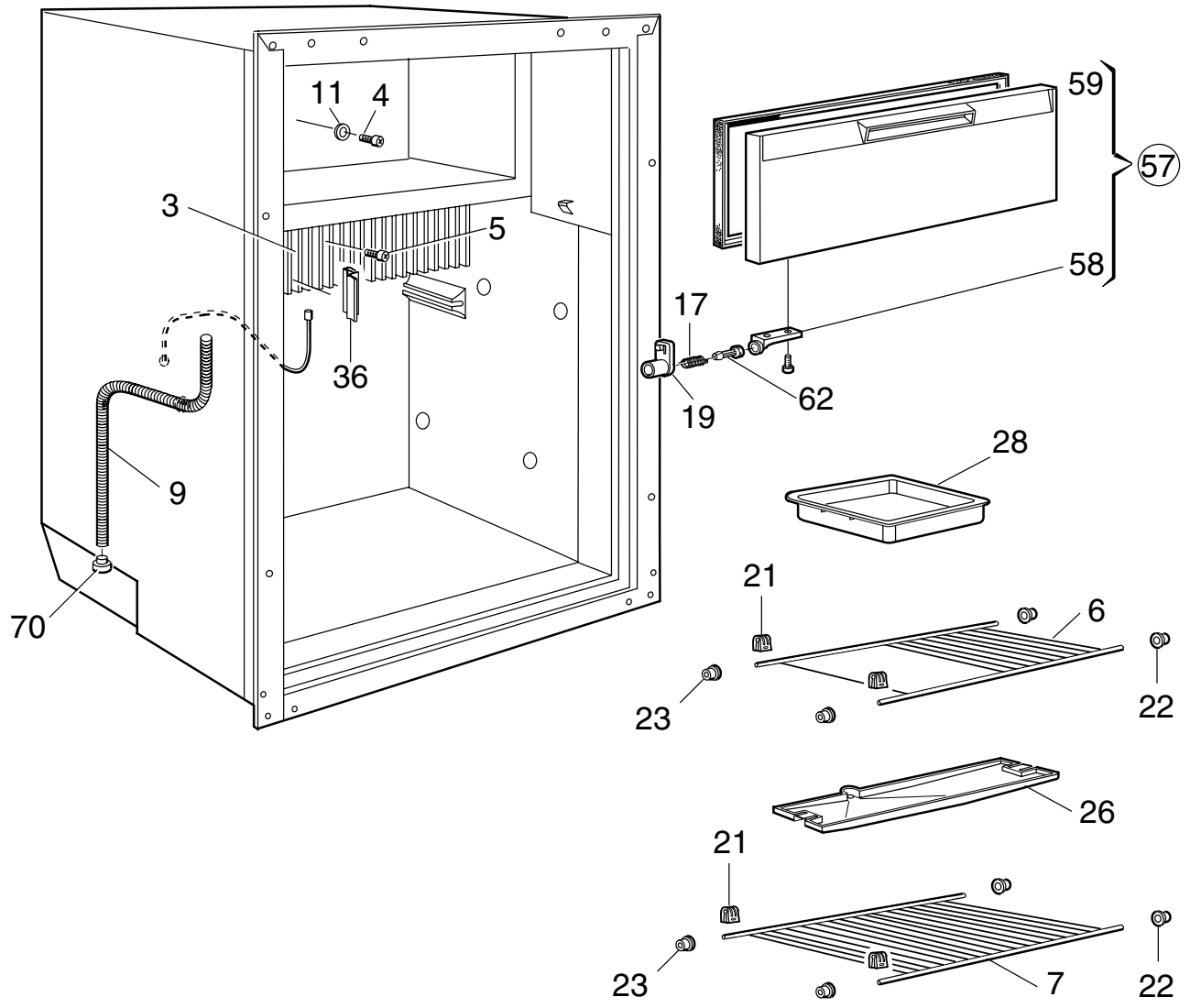
Pos	Part No.	Matrix	Description
1	3850272075	A B	Refrigerator door,black
4	2931171066	A B	Hinge bushing,black
5	3850261029	A B	Plug,black
6	2932588011	A B	Stopper
7	3858002102	A B	Screw,zinc-plated,RXS B4X9,5
10	2930715053	A B	Bottle holder,179mm
11	2930715061	A B	Bottle holder,202mm
14	3850259023	A B	List,black
18	2002261242	A B	Door shelf
20	3850260021	A B	Lock plate,black
21	2932722008	A B	Label
21	3850581004	A B	Label,French
227	3858002037	A B	Screw,zinc-plated,RXS B8, 4,2x13



NCMOB2085106

Matrix	PNC	ELC	ProdDate	Model
A	921145041	00	20060511	RM2354
B	921145042	00	20060524	RM2354

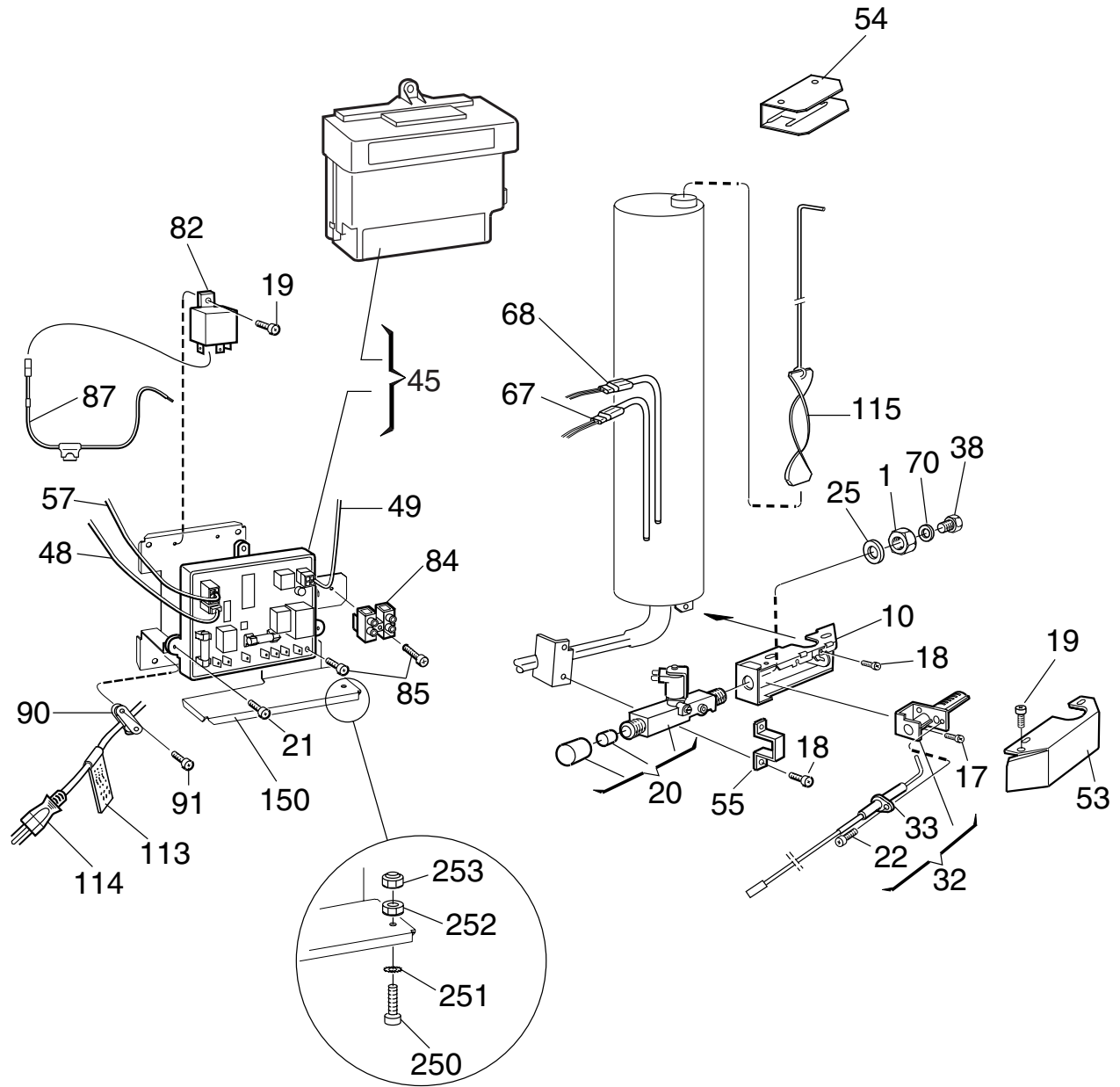
Pos	Part No.	Matrix	Description
2	2932415017	A B	Hinge pin,upper
3	3858039088	A B	Screw,zinc-plated,M5x10
4	3858056025	A B	Screw,zinc-plated,MFX M5X10
7	2002301006	A B	Cover
10	3850263025	A B	Cover tray,black
11	3850319025	A B	Lock,latch,black
15	3850336029	A B	Plug,black
18	2932884071	A B	Panel,display board,black
19	3858002144	A B	Screw,zinc-plated,RXS B6X9,5
20	3850759022	A B	Front decoration,black
30	2932436005	A B	Instruction plate
33	3858039096	A B	Screw,zinc-plated,MRX M5X14
34	3858002219	A B	Screw,zinc-plated,RXS B10 4,8x9,5
35	2932486018	A B	Runner,right
36	2932486026	A B	Runner,left
37	2932325042	A B	Base,front
40	3850270012	- B	Hinge,right
41	3850271010	A -	Hinge,left
42	3850322011	A B	Hinge pin,lower
43	3858009032	A B	Nut,zinc-plated,M6X3,2
44	3850340013	- B	Hinge,lower right
45	3850341011	A -	Hinge,lower left
46	3850362025	A B	Plug,black
62	2933056018	A B	Holder
63	2933056026	A B	Holder
216	3858005022	A B	Screw,zinc-plated,RXK B6X16
999	3850304027	A B	Door reversing kit,black,right and left not shown



NCMOD2085102

Matrix	PNC	ELC	ProdDate	Model
A	921145041	00	20060511	RM2354
B	921145042	00	20060524	RM2354

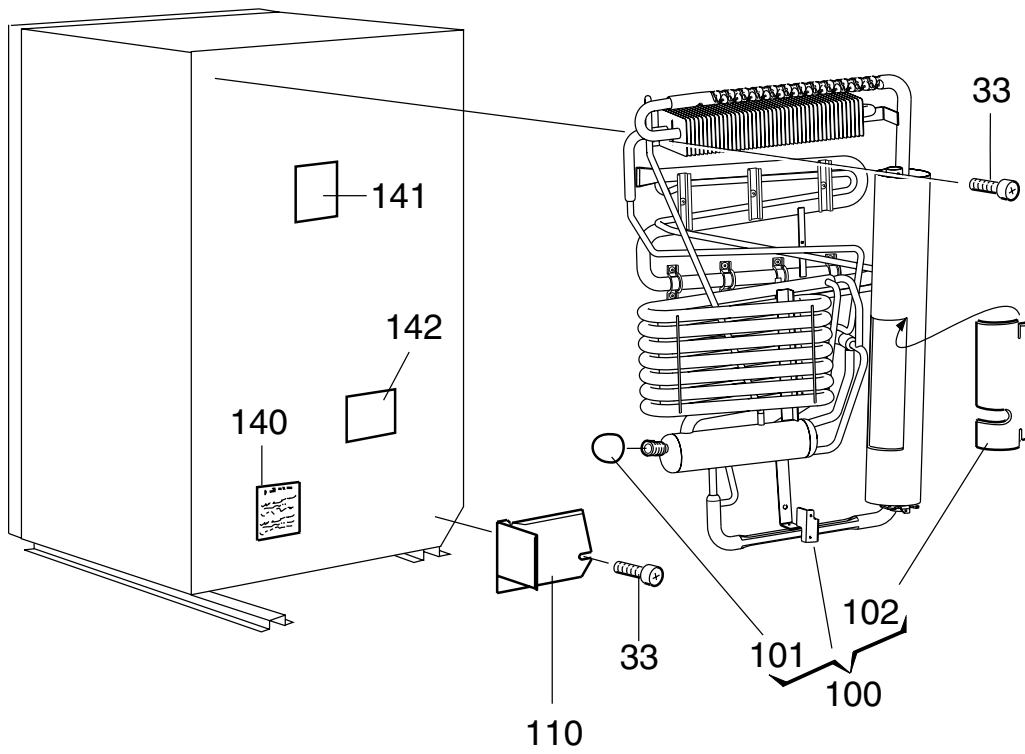
Pos	Part No.	Matrix	Description
3	3850291018	A B	Cooling flange
4	3858036019	A B	Screw, zinc-plated, KFXS B10X38
5	3858002292	A B	Screw, zinc-plated, RXS B10, 4,8x19
6	3850301015	A B	Shelf
7	2932022045	A B	Shelf
9	2932749118	A B	Drainage hose, white
11	3858010121	A B	Washer, stainless, BRB 6,4x12,5
17	2932754019	A B	Spring, left
17	2932754027	A B	Spring, right
19	2002236004	A B	Spring casing, left
19	2002236012	A B	Spring casing, right
21	2932102011	A B	Shelf support
22	2932101013	A B	Plug
23	2932103019	A B	Plug
26	3850274014	A B	Drip protection
28	2932636018	A B	Box
36	3851088017	A B	Bracket, thermistor
57	2002239339	A B	Freezer flap
58	2002244008	A B	Hinge, evaporator flap, white
59	2933145027	A B	Gasket, evaporator flap, white
62	2002238000	A B	Bolt
70	2932115013	A B	Discharge pipe, plug



NCMOH2085109

Matrix	PNC	ELC	ProdDate	Model
A	921145041	00	20060511	RM2354
B	921145042	00	20060524	RM2354

Pos	Part No.	Matrix	Description
1	140207044	A B	Nut
10	2932603018	A B	Burner housing
17	3858039039	A B	Screw, zinc-plated, MRX M4X8
18	3858039047	A B	Screw, zinc-plated, MRX M4X10
19	3858002144	A B	Screw, zinc-plated, RXS B6X9, 5
20	2932615012	A B	Solenoid valve
21	3858002151	A B	Screw, zinc-plated, RXS B6X13
22	3858005014	A B	Screw, zinc-plated, RXK B6X9, 5
25	3858010071	A B	Washer, 12, 5X18, 5X1
32	2930697079	A B	Burner, with, conductor
33	2932781012	A B	Electrode, with, conductor
38	2007419159	A B	Jet, no39
45	3850712013	A B	Power, module, integrated
48	3851059034	A B	Conductor, thermistor
49	2954540064	A B	Conductor, solenoid valve
53	2932661016	A B	Cover
54	2007598010	A B	Flue, cap
55	2932662014	A B	Bracket
57	2954542060	A B	Conductor, PCB
67	3850646054	A B	Heater, 175W, 12V
68	3850644455	A B	Heater, 175W, 120V
70	2007457001	A B	Washer, 0, 5mm
82	2930385006	A B	Relay
84	3858022019	A B	Terminal block
85	3858002185	A B	Screw, zinc-plated, RXS B6X25
87	2954553018	A B	Wire, with, fuse
90	2932342013	A B	Cable clamp
91	3858002177	A B	Screw, zinc-plated, RXS B6X19
113	2932733005	A B	Label
114	2002699110	A B	Cord set
115	2007172022	A B	Flame spreader
150	3850754015	A B	Bracket
250	3858004033	A B	Screw, zinc-plated, MRX M4X16
251	3858011012	A B	Lock washer, zinc-plated, 4, 3X8
252	3858009016	A B	Hexagon nut, zinc-plated, M4X3, 2
253	3858028024	A B	Lock nut, zinc-plated, M4

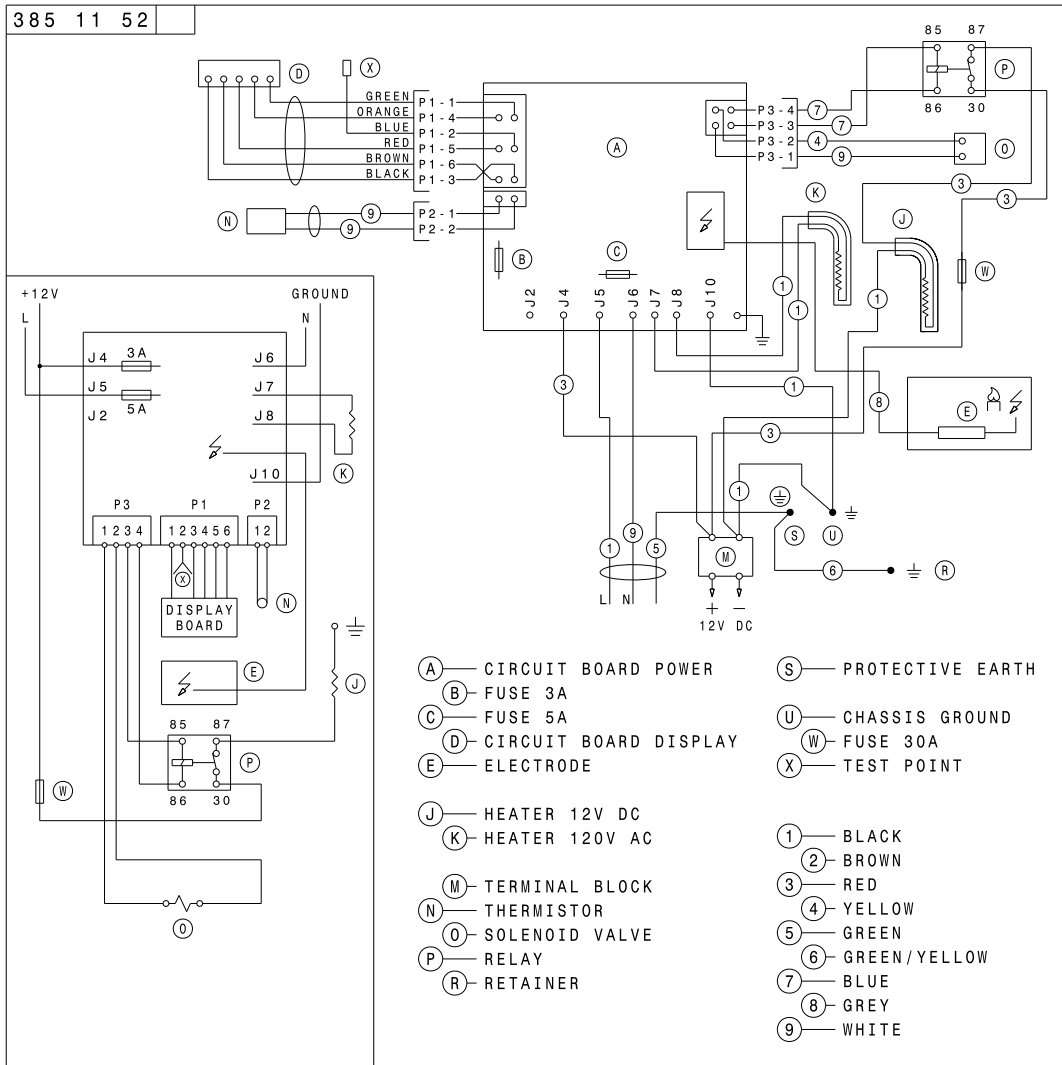


NCMOE2070343

Matrix	PNC	ELC	ProdDate	Model
A	921145041	00	20060511	RM2354
B	921145042	00	20060524	RM2354

Pos	Part No.	Matrix	Description
33	3858039096	A B	Screw, zinc-plated, MRX M5X14
100	2934341096	A B	Cooling unit, 341
101	173228008	A B	Cap
102	2800821007	A B	Cover
110	3850601026	A B	Protection
140	3850582002	A B	Label
141	3850583000	A B	Label
142	3850584008	A B	Label
999	8251257005	A B	User manual not shown
999	8251258003	A B	Installation, manual not shown

385 11 52



N38511520