

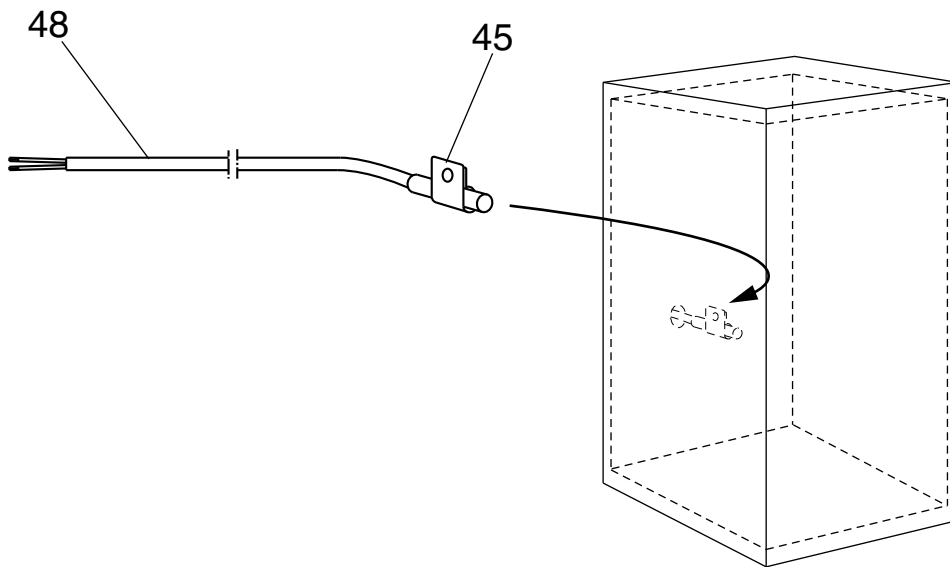
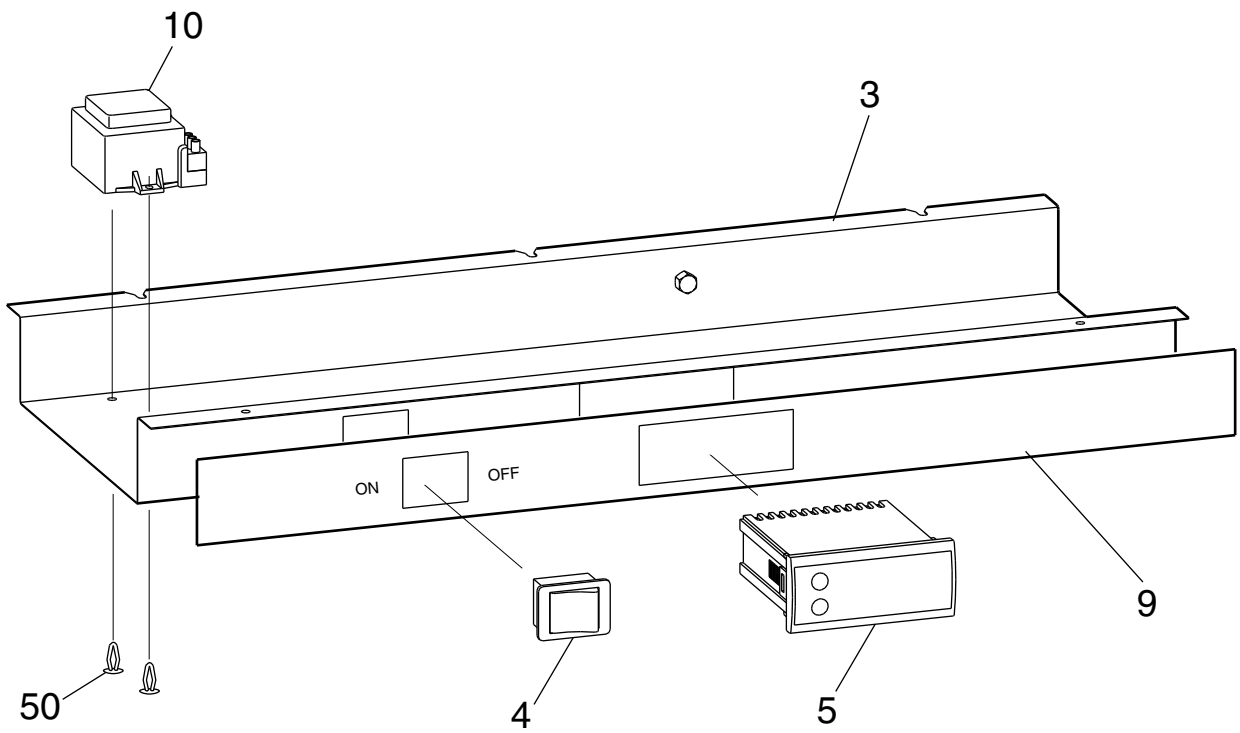


When ordering parts, always state:
MODEL NO. - PRODUCT NO - QUANTITY -
PART NO. - DESCRIPTION
For electrical parts, also state:
VOLTAGE - WATTAGE

WINE CELLAR

PNC: 921178264 Model: CS160DR Voltage: 120 VAC Cabinet Color: Autumn Cherry Door Finish: Wood/Black Frame Door Hinge: Right Brand: Dometic Market: USA/Canada

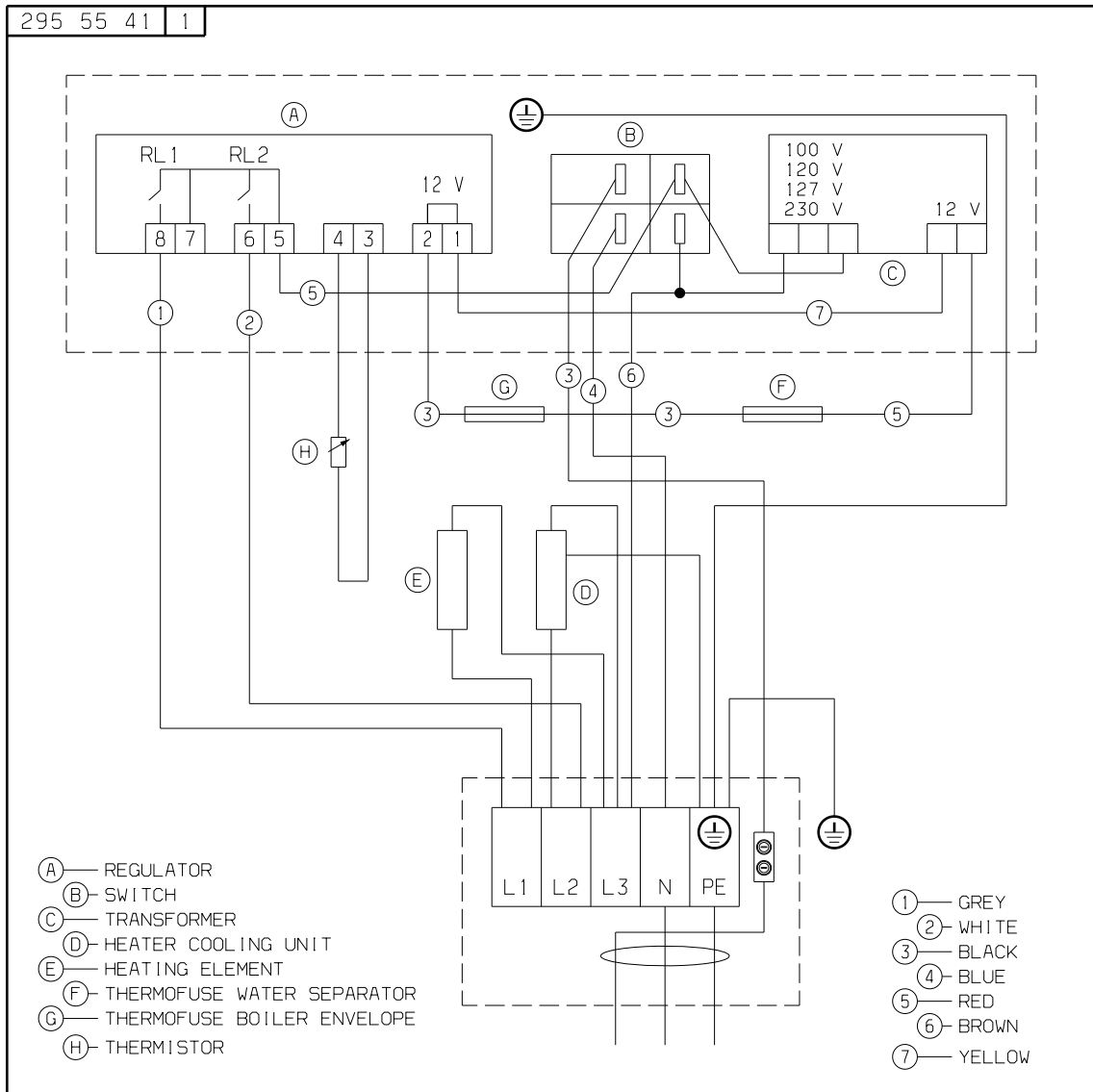
		WINE CELLAR	
<p>SERVICE OFFICE:</p> <p>USA Dometic, LLC 2320 Industrial Parkway Elkhart, IN 46516 574-294-2511</p> <p>CANADA Dometic, LLC 46 Zatonski, Unit 3 Brantford, ON N3T 5L8 CANADA 519-720-9578</p>	<p>For Technical Assistance Call: 800-544-4881</p> <p>Document No.: 3312672.000</p> <p>Date: 2008/06</p> <p>Motala Reference: 599531189 - 2007/10/18</p> <p>© Dometic, LLC</p>	<h1>CS160DR</h1>	



NCVK2096639

Matrix	PNC	ELC	ProdDate	Model
A	921178264	00	20070910	CS160D

Pos	Part No.	Matrix	Description
3	2955242017	A	Bracket
4	2955244013	A	Toggle switch
5	2955477019	A	Control unit
9	2955355058	A	Label,control unit
10	2955243049	A	Transformer,115V/12V
45	2955433012	A	Cable clamp
48	3851059059	A	Thermistor
50	2932373034	A	Bung,black



N29555411