



When ordering parts, always state:  
 MODEL NO. - PRODUCT NO. - QUANTITY -  
 PART NUMBER - DESCRIPTION  
 For Electric Details also state:  
 VOLTAGE - WATTAGE

# RM2351 Refrigerator Parts List

**USA**  
 SERVICE OFFICE  
 Dometic Corporation  
 2320 Industrial Parkway  
 Elkhart, IN 46516  
 574-294-2511

**CANADA**  
 Dometic Corporation  
 46 Zatonski, Unit 3  
 Brantford, ON N3T 5L8  
 CANADA  
 519-720-9578

**For Service Center  
 Assistance Call:**  
 800-544-4881

Product Number	Model Number	Voltage	Refrig. Color	Frame Color	Door Style	Door/Door Trim Color	Market	Brand
921145039	RM2351	120 VAC	Black		Standard	Black	USA, Canada	Dometic
921145040	RM2351	120 VAC	Black		Standard	Black	USA, Canada	Dometic

## PARTS LIST

**MODEL  
 RM2351  
 Series**

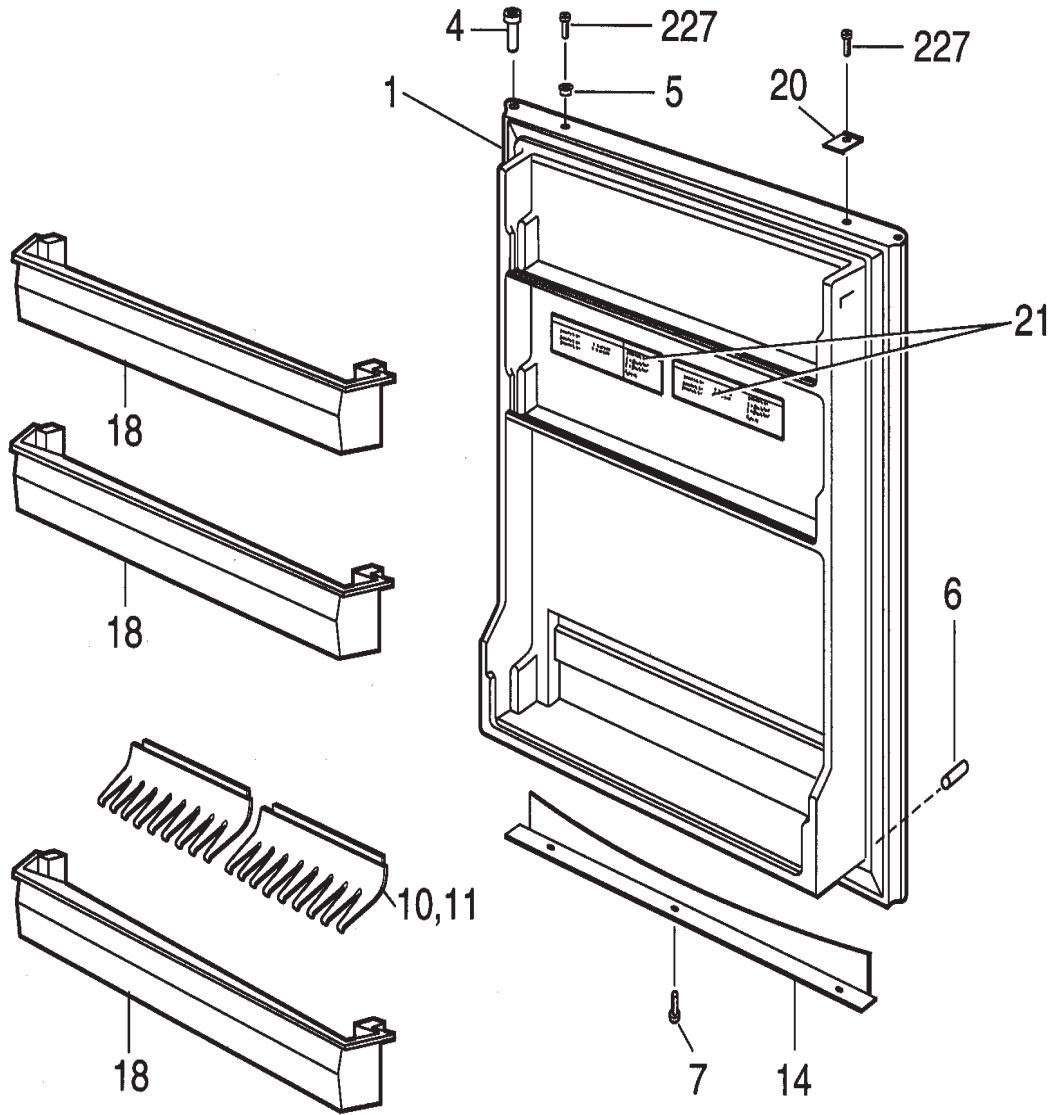
### ALPHABETICAL INDEX

	Page#	Index#
Cabinet, Exterior Components .....	5-6	3-112
Cabinet, Interior Components .....	7-8	2-999
Cabinet, Rear View .....	11-12	33-142
Control & Burner Components .....	9-10	1-253
Door Assm. ....	3-4	1-227
Wiring Diagram .....	13	—

### SPECIFICATIONS

<b>Model</b>	<b>RM2351</b>
<b>Product Number*</b>	921145039 921145040
<b>Energy Source**</b>	120 VAC, Gas
<b>AC Heating Element</b>	
<b>Amperage</b>	1.5
<b>Ohm Resis. +/- 10%</b>	80
<b>Wattage</b>	175
<b>BTU's Gas Burner</b>	1000
<b>Jet Size</b>	39
<b>Flue Baffle</b>	
<b>Size</b>	3/15/16" X 25/32"
<b>Position Above Burner</b>	1-15/32"
<b>Ice Trays</b>	0
<b>Crispers</b>	0
<b>Bottle Holders</b>	2
<p>* Product number located on refrigerator data plate.                      ** 12 volt DC power is required to operate the refrigerator controls on all models.</p>	

# DOOR ASSEMBLY



NCMOA2070338

Only Those Parts Identified With An Index Number Are Available For Service Replacement.

## DOOR ASSEMBLY

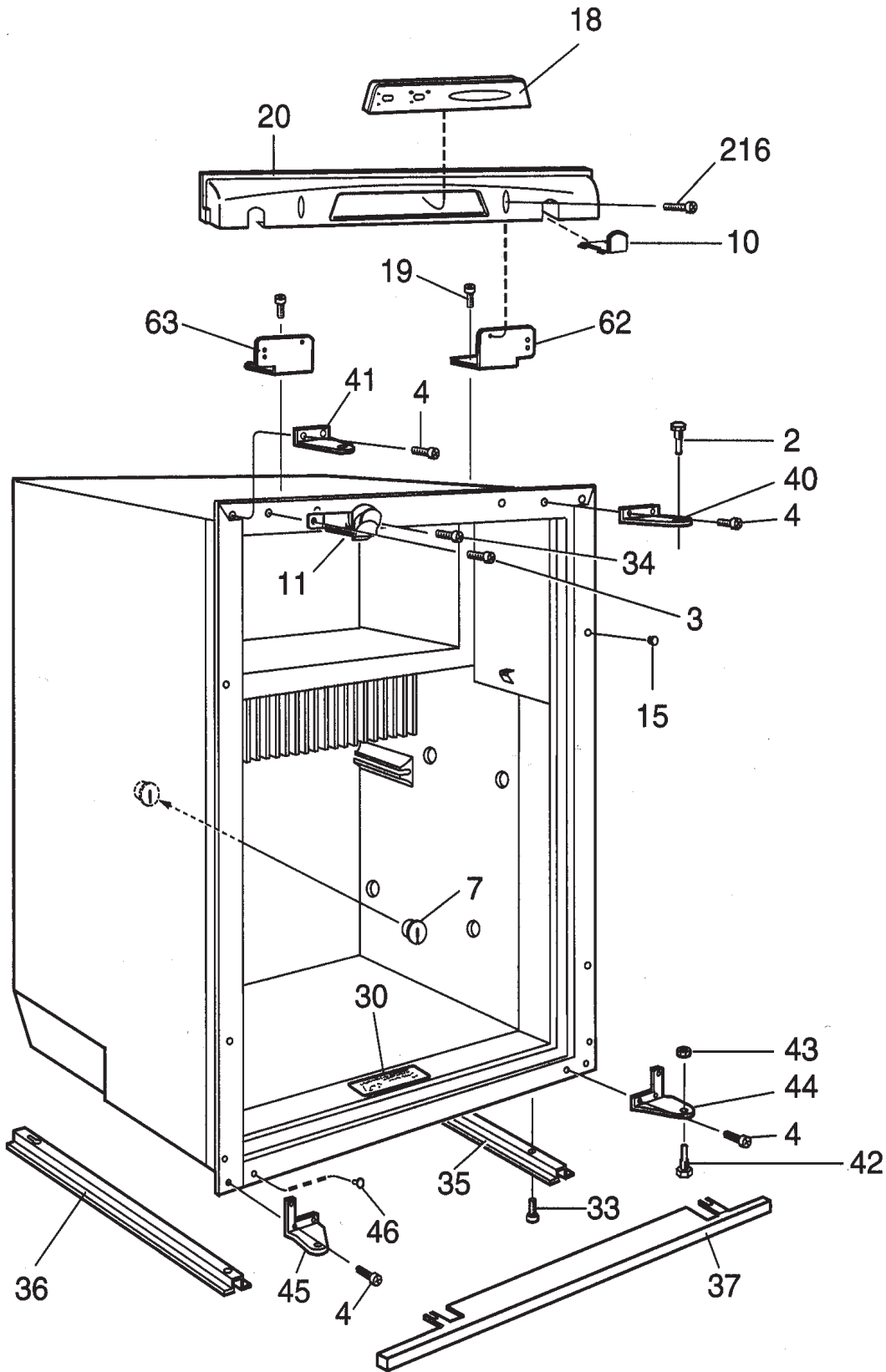
**Model RM2351 Prod # 921145039 = A**

**Model RM2351 Prod # 921145040 = B**

Index No.	Part No.	A	B	Description
1	3850272075	A	B	Door, Refrigerator, Black
4	2931171066	A	B	Hinge bushing, Black
5	3850261029	A	B	Plug, Black
6	2932588011	A	B	Stopper
7	3858002102	A	B	Screw, RXS B4x9.5
10	2930715053	A	B	Bottle Holder
11	2930715061	A	B	Bottle Holder
14	3850259023	A	B	Decoration Strip Black
18	2002261242	A	B	Door Shelf
20	3850260021	A	B	Lock Plate-Black
21	2932722008	A	B	Label
	3850581004	A	B	Label, French
227	3858002037	A	B	Screw, RXS B8 4.2 x 13

**Only Those Parts Identified With An Index Number Are Available For Service Replacement.**

# CABINET, EXTERIOR COMPONENTS



NCMOB2085100

Only Those Parts Identified With An Index Number Are Available For Service Replacement.

## CABINET, EXTERIOR COMPONENTS

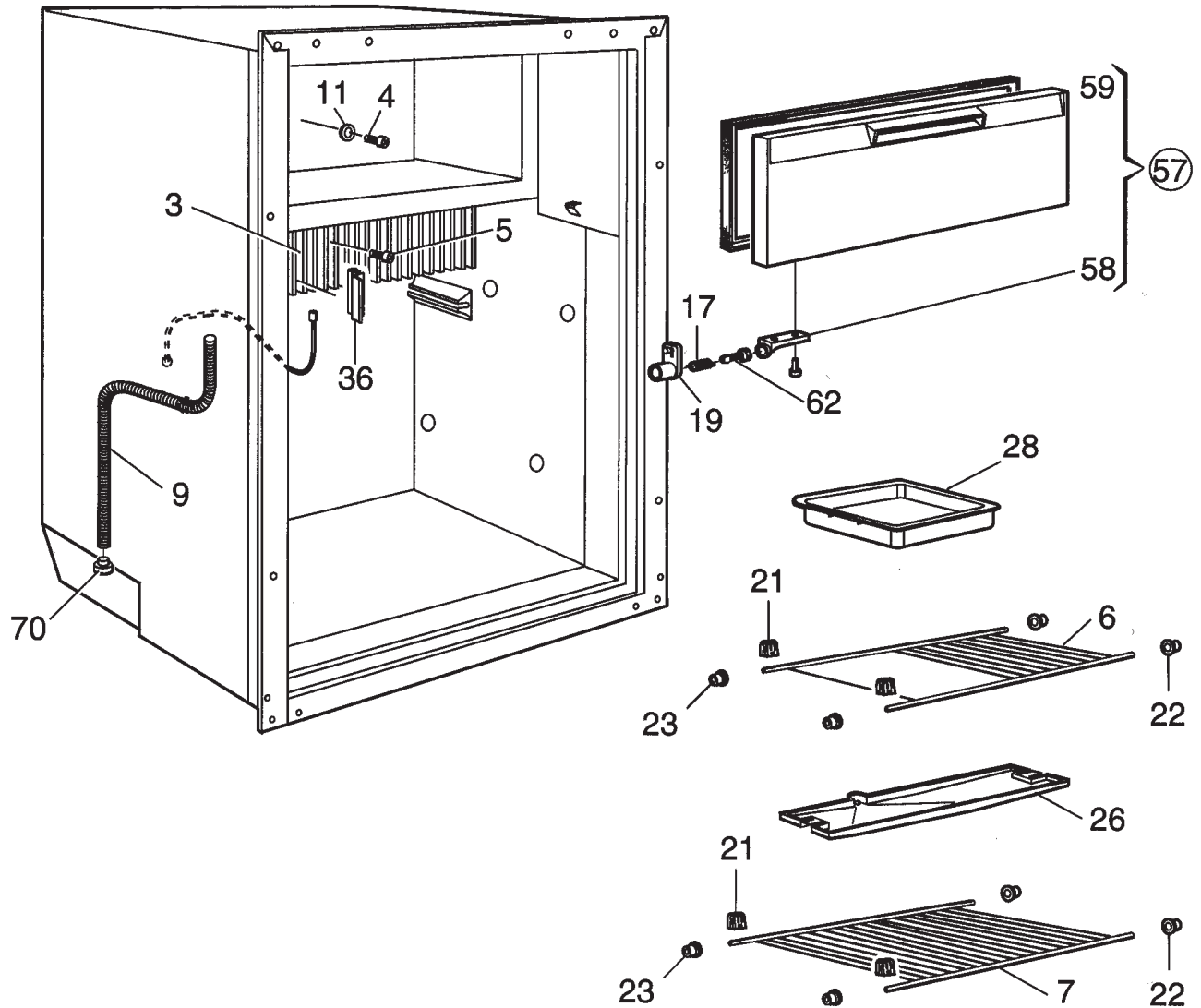
**Model RM2351 Prod # 921145039 = A**

**Model RM2351 Prod # 921145040 = B**

Index No.	Part No.	A	B	Description
2	2932415017	A	B	Hinge Pin, Upper
3	3858039088	A	B	Screw, M5x10
4	3858056025	A	B	Screw, MFX M5x10
7	2002301006	A	B	Cover
10	3850263025	A	B	Cover Plate, Black
11	3850319025	A	B	Door Catch, Black
15	3850336029	A	B	Plug-Black
18	2932771021	A	B	Panel, Display Board-Black
19	3858002144	A	B	Screw, RXS B6x9.5
20	3850759022	A	B	Front Decoration, Black
30	2932776004	A	B	Instruction Plate
33	3858039096	A	B	Screw, MRX M5x14
34	3858002219	A	B	Screw, RXS B10 4.8x9.5
35	2932486018	A	B	Runner RH
36	2932486026	A	B	Runner LH
37	2932325042	A	B	Base, Front
40	3850270012	--	B	Hinge RH
41	3850271010	A	--	Hinge LH
42	3850322011	A	B	Hinge Pin, Lower
43	3858009032	A	B	Nut, M6x3.2
44	3850340013	--	B	Hinge Lower, RH
45	3850341011	A	--	Hinge, Lower LH
46	3850362025	A	B	Plug-Black
62	2933056018	A	B	Holder
63	2933056026	A	B	Holder
216	3858005022	A	B	Screw, RXK B6x16
999	3850304027	A	B	Door Reversing kit RH to LH

**Only Those Parts Identified With An Index Number Are Available For Service Replacement.**

# CABINET, INTERIOR COMPONENTS



NCMOD2085102

Only Those Parts Identified With An Index Number Are Available For Service Replacement.

## CABINET, INTERIOR COMPONENTS

Model RM2351 Prod # 921145039 = A

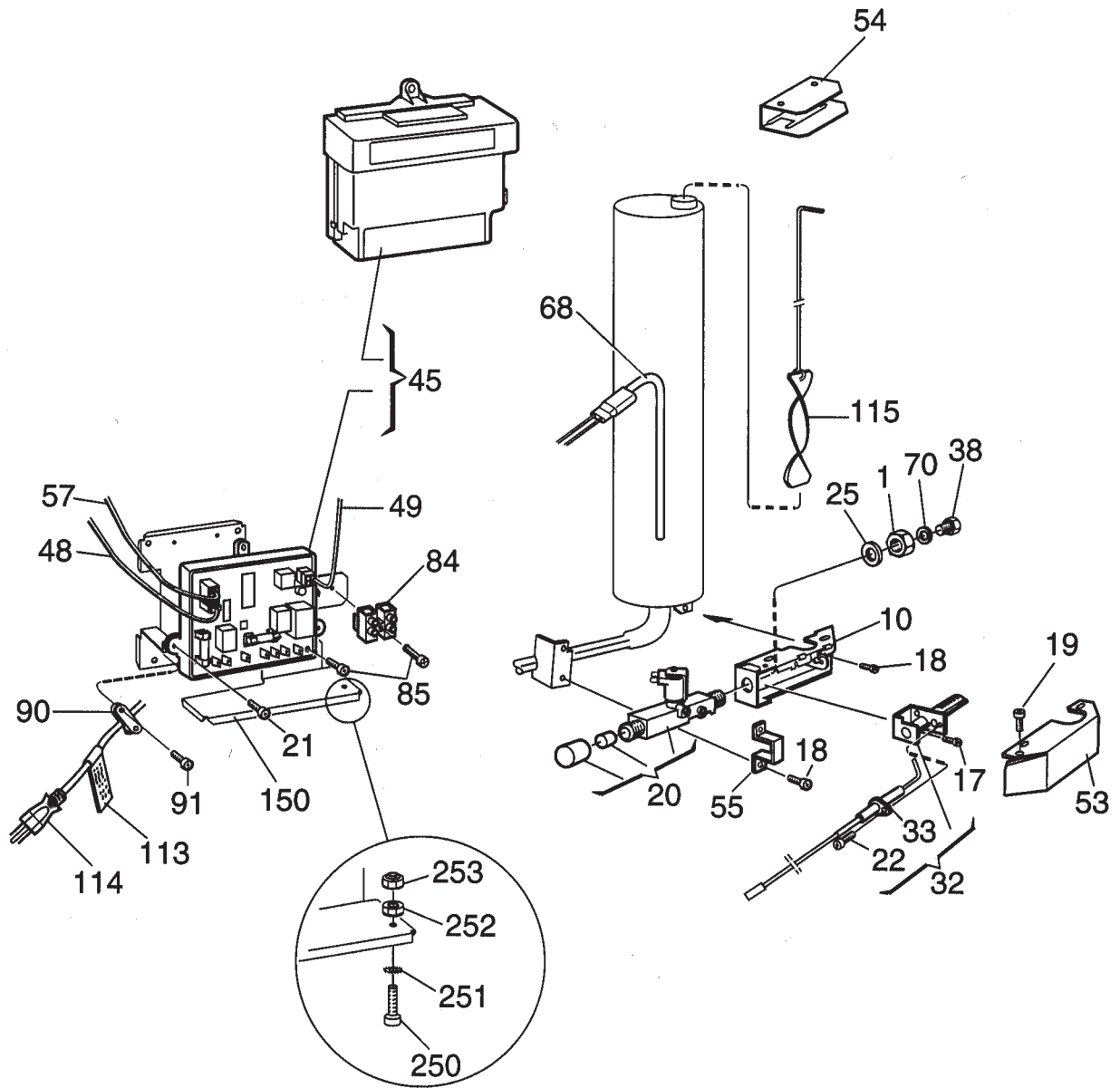
Model RM2351 Prod # 921145040 = B

Index No.	Part No.	A	B	Description
3	3850291018	A	B	Cooling Fins
4	3858036019	A	B	Screw, KFXS B10x38
5	3858002292	A	B	Screw, RXS B10 4.8x19
6	3850301015	A	B	Shelf
7	2932022045	A	B	Shelf
9	2932749118	A	B	Drain Hose, White
11	3858010121	A	B	Washer BRB 6.4x12.5
17	2932754019	A	B	Spring LH
	2932754027	A	B	Spring RH
19	2002236004	A	B	Spring Casting LH
	2002236012	A	B	Spring Casting RH
21	2932102011	A	B	Shelf Support
22	2932101013	A	B	Plug
23	2932103019	A	B	Plug
26	3850274014	A	B	Drip Protection
28	2932636018	A	B	Box
36	3851088017	A	B	Bracket, Thermistor
57	2002239339	A	B	Freezer Door
58	2002244008	A	B	Hinge Freezer Door
59	2933145027	A	B	Gasket Freezer Door
62	2002238000	A	B	Bolt
70	2932115013	A	B	Discharge Pipe-Plug

**Only Those Parts Identified With An Index Number Are Available For Service Replacement.**



# CONTROL & BURNER COMPONENTS



NCMOH2085103

Only Those Parts Identified With An Index Number Are Available For Service Replacement.

## CONTROL & BURNER COMPONENTS

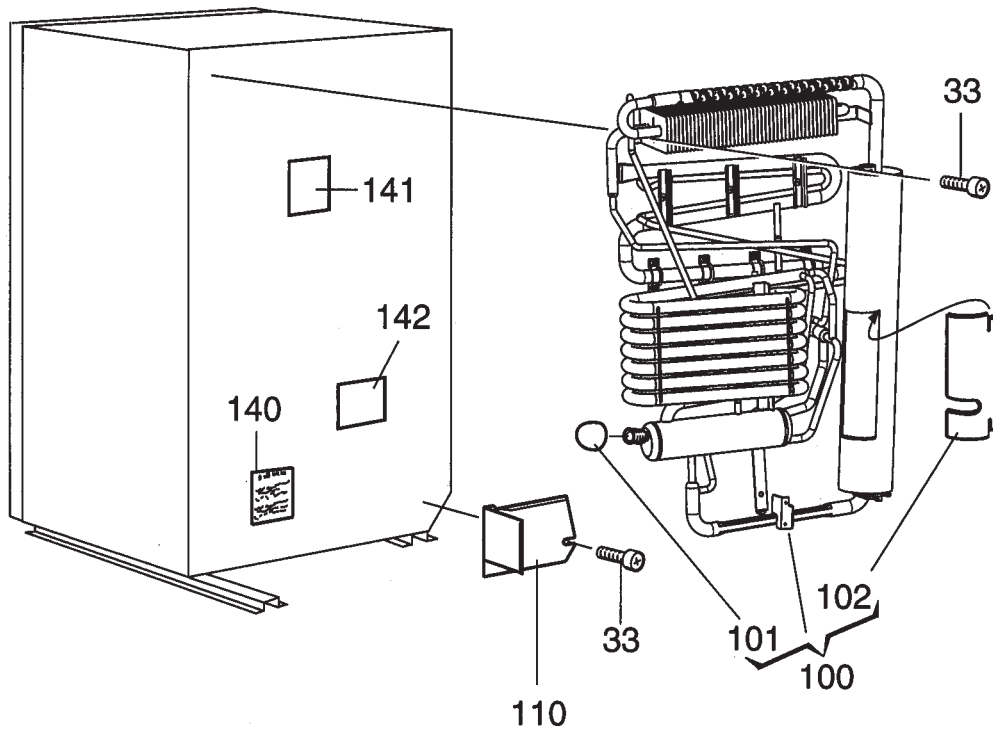
Model RM2351 Prod # 921145039 = A

Model RM2351 Prod # 921145040 = B

Index				
No.	Part No.	A	B	Description
1	0140207044	A	B	Nut
10	2932603018	A	B	Burner Housing
17	3858039039	A	B	Screw, MRX M4x8
18	3858039047	A	B	Screw, MRX M4x10
19	3858002144	A	B	Screw, RXS B6x9.5
20	2932615012	A	B	Solenoid Valve
21	3858002151	A	B	Screw, RXS B6x13
22	3858005014	A	B	Screw, RXK B6x9.5
25	3858010071	A	B	Washer, 12.5x18.5x1
32	2930697079	A	B	Burner, with conductor
33	2932781012	A	B	Electrode with conductor
38	2007419159	A	B	Jet #39
45	3850712013	A	B	Power Module
48	3851059034	A	B	Conductor, Thermistor
49	2954539041	A	B	Conductor, Solenoid Valve
53	2932661016	A	B	Cover
54	2007598010	A	B	Flue Cap
55	2932662014	A	B	Bracket
57	2954542060	A	B	Conductor
68	3850644455	A	B	Heater, 175W 120 VAC
70	2007457001	A	B	Washer
84	3858022019	A	B	Terminal Block
85	3858002185	A	B	Screw, RXS B6x25
90	2932342013	A	B	Cable Clamp
91	3858002177	A	B	Screw, RXS B6x19
113	2932733005	A	B	Label
114	2002699110	A	B	Cord
115	2007172022	A	B	Flame Spreader
150	3850754015	A	B	Bracket
250	3858004033	A	B	Screw, MRX M4x16
251	3858011012	A	B	Lock Washer
252	3858009016	A	B	Hex Nut
253	3858028024	A	B	Lock Nut

**Only Those Parts Identified With An Index Number Are Available For Service Replacement.**

### CABINET, REAR VIEW



NCMOE2070343

Only Those Parts Identified With An Index Number Are Available For Service Replacement.

---

## CABINET, REAR VIEW

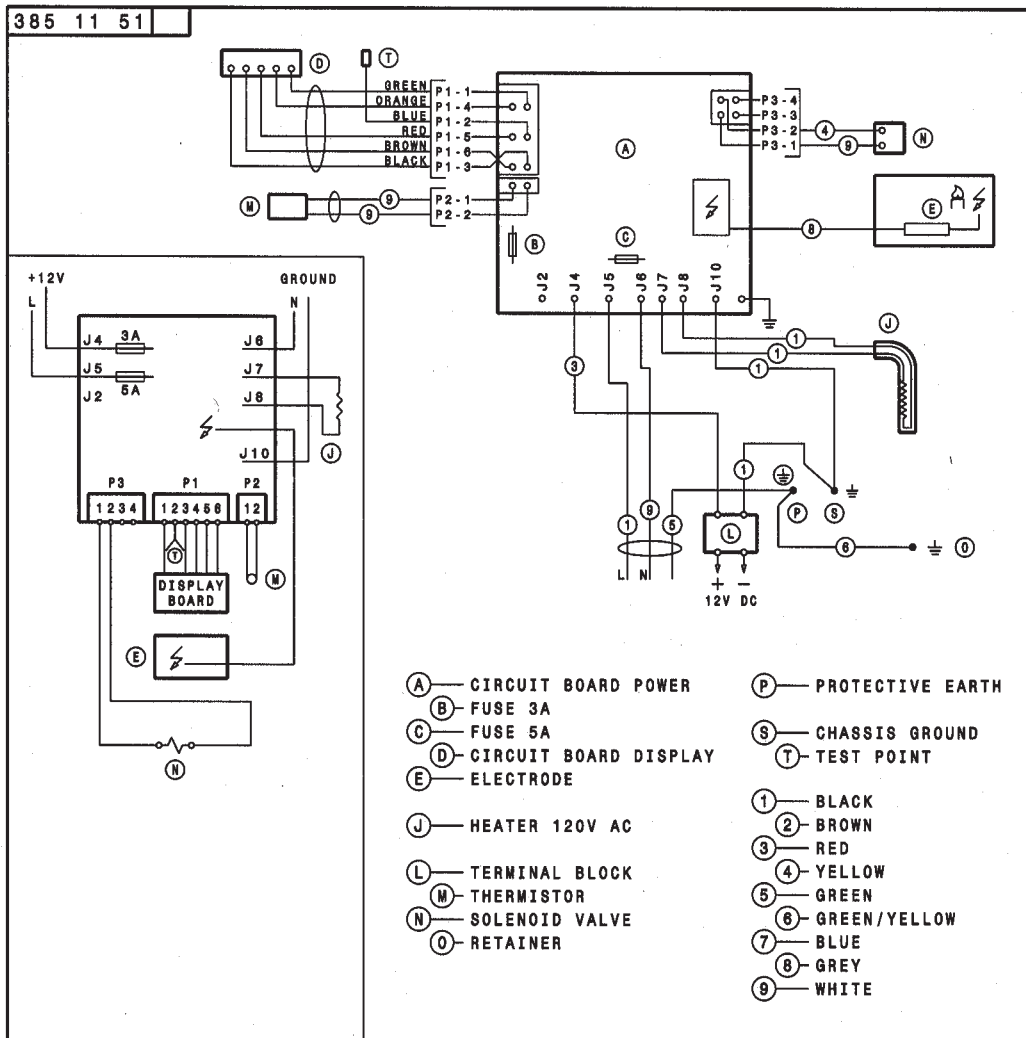
**Model RM2351 Prod # 921145039 = A**

**Model RM2351 Prod # 921145040 = B**

<b>Index</b>				
<b>No.</b>	<b>Part No.</b>	<b>A</b>	<b>B</b>	<b>Description</b>
33	3858039096	A	B	Screw, MRX M5x14
100	2934341096	A	B	Cooling Unit Type 341
101	0173228008	A	B	Cap
102	2800821007	A	B	Cover
110	3850601026	A	B	Protection
140	3850582002	A	B	Label
141	3850583000	A	B	Label
142	3850584008	A	B	Label

**Only Those Parts Identified With An Index Number Are Available For Service Replacement.**

# WIRING DIAGRAM



N38511510