



When ordering parts, always state:  
 MODEL NO. - PRODUCT NO. - QUANTITY -  
 PART NUMBER - DESCRIPTION  
 For Electric Details also state:  
 VOLTAGE - WATTAGE

# RM2354 Refrigerator Parts List

**USA**  
 SERVICE OFFICE  
 Dometic Corporation  
 2320 Industrial Parkway  
 Elkhart, IN 46516  
 574-294-2511

**CANADA**  
 Dometic Corporation  
 46 Zatonski, Unit 3  
 Brantford, ON N3T 5L8  
 CANADA  
 519-720-9578

**For Service Center  
 Assistance Call:**  
 800-544-4881

Product Number	Model Number	Voltage	Frame Color	Door Style	Door/Door Trim Color	Market	Brand
921145046	RM2354	120 VAC	Brown	Standard	Brown	USA,Canada	Dometic
921145048	RM2354	120 VAC	Brown	Standard	Brown	USA, Canada	Dometic

## PARTS LIST

**MODEL  
 RM2354  
 Series**

Revision:  
 Form No.3311205.011 3/08  
 (Replaces 3311205.000)  
 ©2008 Dometic Corporation  
 LaGrange, IN 46761

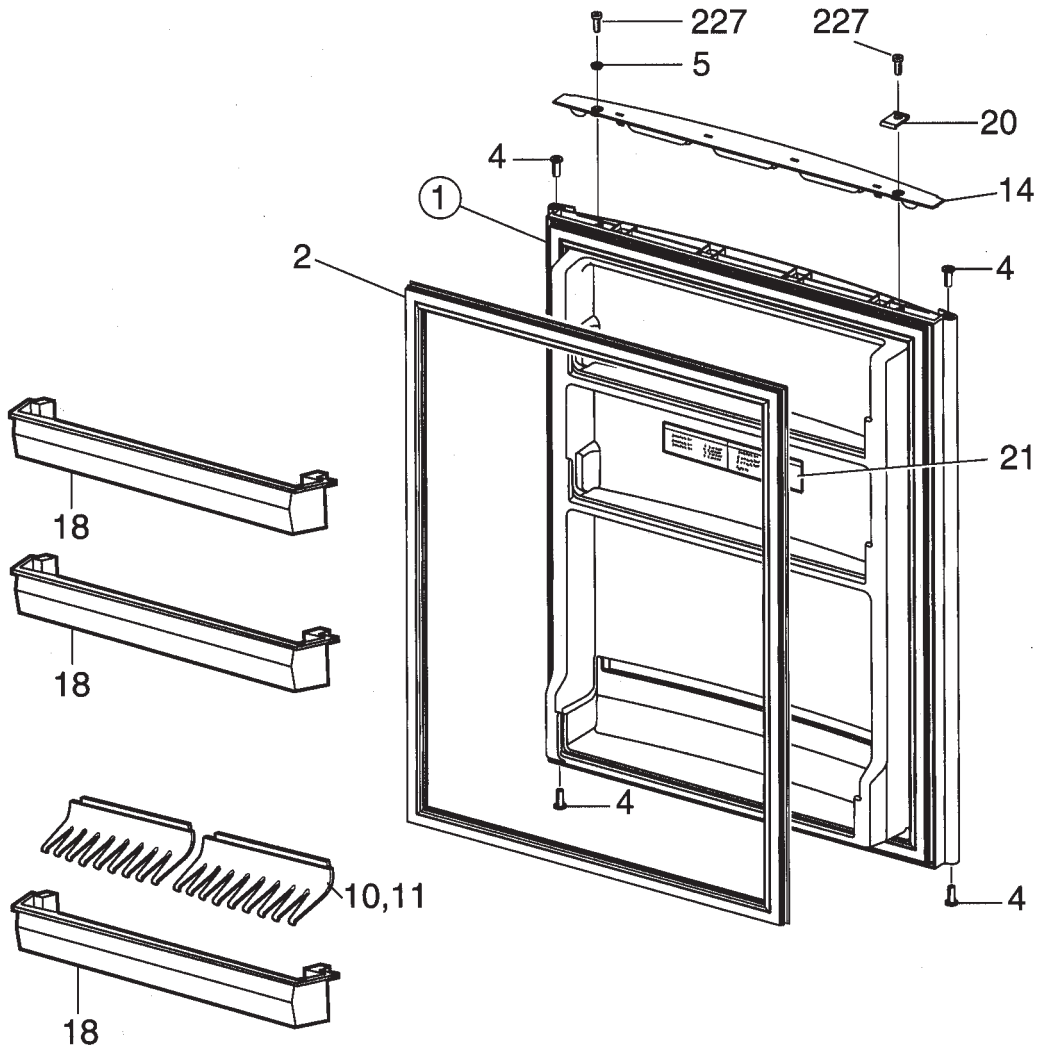
**ALPHABETICAL INDEX**

	Page#	Index#
Cabinet, Exterior Components .....	5-6	3-112
Cabinet, Interior Components.....	7-8	2-999
Cabinet, Rear View.....	11-12	33-142
Control & Burner Components .....	9-10	1-253
Door Assm. ....	3-4	1-227
Wiring Diagram.....	13	—

**SPECIFICATIONS**

<b>Model</b>	RM2354
<b>Product Number*</b>	921145046 921145048
<b>Energy Source**</b>	120AC, 12DC, Gas
<b>AC Heating Element</b>	
<b>Amperage</b>	1.5
<b>Ohm Resis. +/- 10%</b>	80
<b>Watts</b>	175
<b>DC Heating Element</b>	
<b>Amperage</b>	14.6
<b>Ohm Resis. +/- 10%</b>	0.82
<b>Watts</b>	175
<b>BTU's Gas Burner</b>	1000
<b>Jet Size</b>	39
<b>Flue Baffle</b>	
<b>Size</b>	3/15/16" X 25/32"
<b>Position Above Burner</b>	1-15/32"
<b>Ice Trays</b>	0
<b>Crispers</b>	0
<b>Bottle Holders</b>	2
* Product number located on refrigerator data plate.	
** 12 volt DC power is required to operate the refrigerator	

# DOOR ASSEMBLY



NCMOA2089269

**Only Those Parts Identified With An Index Number Are Available For Service Replacement.**

---

## DOOR ASSEMBLY

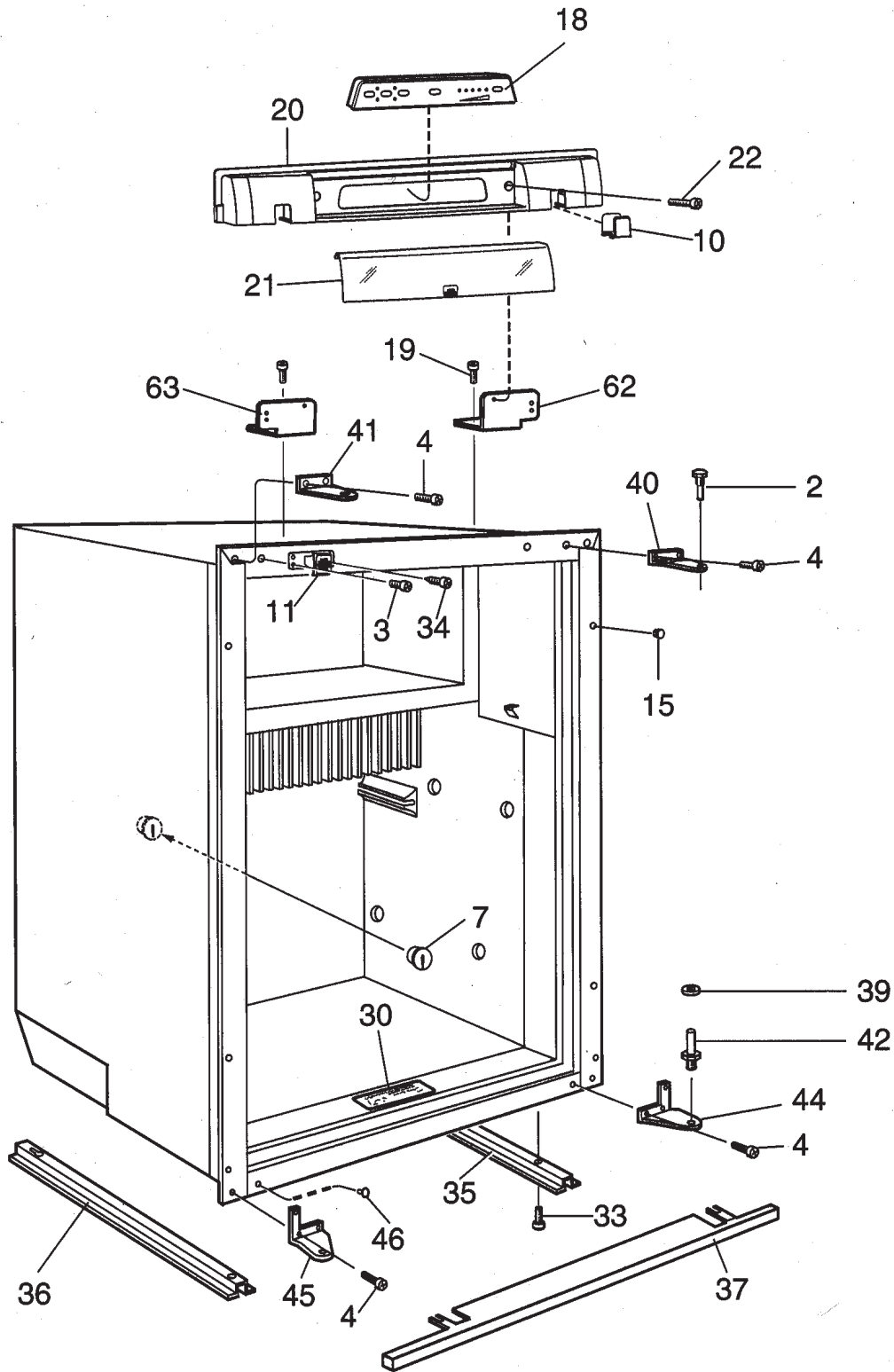
Model RM2354 Prod # 921145046 = A

Model RM2354 Prod # 921145048 = B

Index No.	Part No.	A	B	Description
1	3851163026	A	B	Door, Refrigerator,
2	3850990072	A	B	Gasket, white
4	2931171041	A	B	Hinge bushing
5	3850261011	A	B	Plug
10	2930715053	A	B	Bottle Holder
11	2930715061	A	B	Bottle Holder
14	3851136022	A	B	Decoration Strip Brown
18	2002261242	A	B	Door Shelf
20	3850260013	A	B	Lock Plate
21	3851235006	A	B	Label
227	3858002037	A	B	Screw, RXS B8 4.2 x 13

Only Those Parts Identified With An Index Number Are Available For Service Replacement.

# CABINET, EXTERIOR COMPONENTS



NCMOB2089433

Only Those Parts Identified With An Index Number Are Available For Service Replacement.

## CABINET, EXTERIOR COMPONENTS

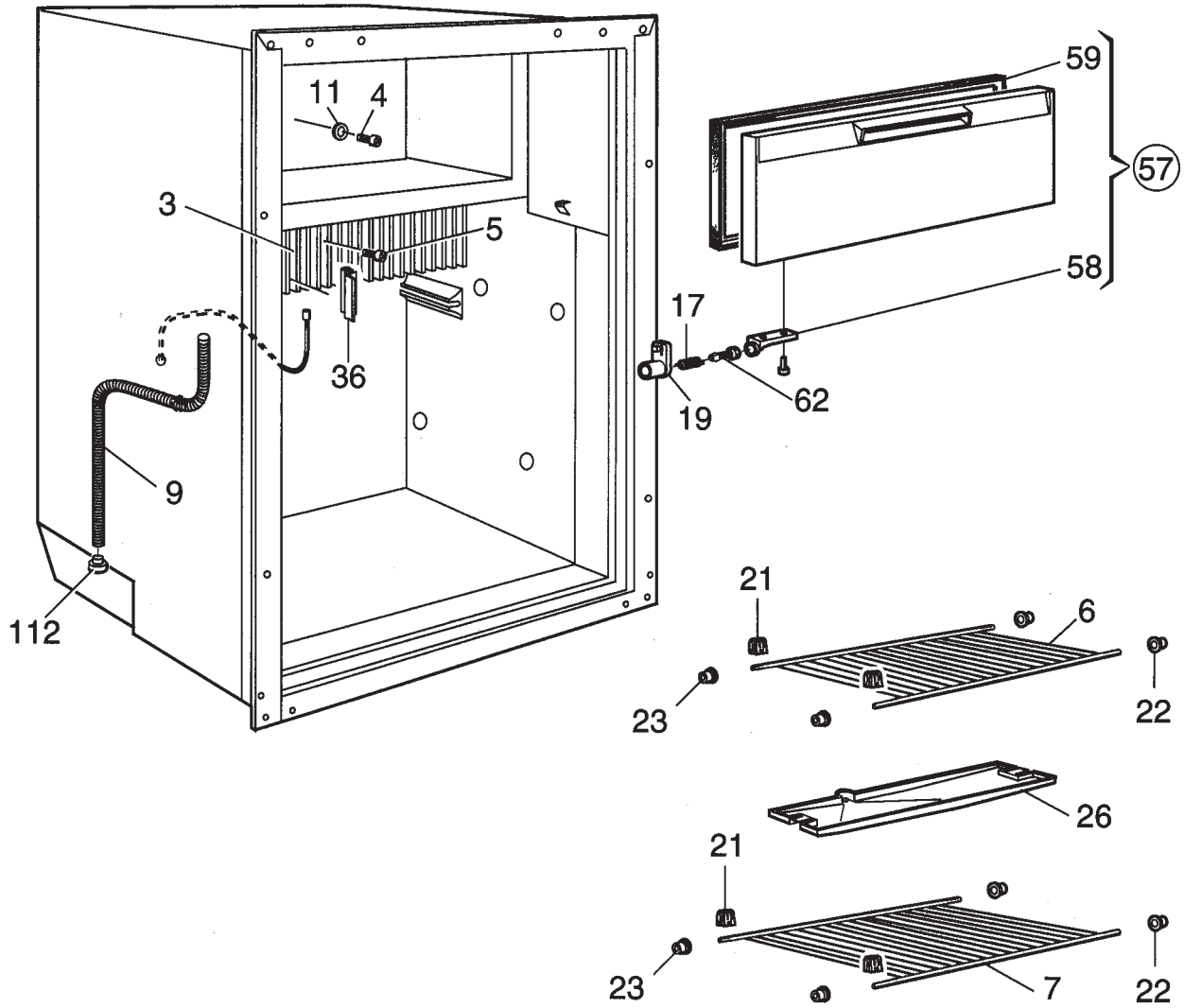
**Model RM2354 Prod # 921145046 = A**

**Model RM2354 Prod # 921145048 = B**

Index No.	Part No.	A	B	Description
2	2932415017	A	B	Hinge Pin, Upper
3	3858039088	A	B	Screw, M5x10
4	3858056025	A	B	Screw, MFX M5x10
7	2002301006	A	B	Cover
10	3851139026	A	B	Cover Plate, brown
11	3851138028	A	B	Door Catch, brown
15	3850336011	A	B	Plug-brown
18	2932884030	A	B	Panel, Display Board
19	3858002144	A	B	Screw, RXS B6x9.5
20	3851141048	A	B	Front Decoration, brown
21	3851146013	A	B	Cover, Clear
22	3858039062	A	B	Screw, MRX-TT M4x20
30	2932436005	A	B	Instruction Plate
33	3858039096	A	B	Screw, MRX M5x14
34	3858002219	A	B	Screw, RXS B10 4.8x9.5
35	2932486018	A	B	Runner RH
36	2932486026	A	B	Runner LH
37	2932325026	A	B	Base, Front
39	3858010089	A	B	Washer, 5.5x12x1
40	3850270012	A	--	Hinge RH
41	3850271010	--	B	Hinge LH
42	3850269014	A	B	Hinge Pin, Lower
44	3850340013	A	--	Hinge Lower, RH
45	3850341011	--	B	Hinge, Lower LH
46	3850362017	A	B	Plug
62	2933056018	A	B	Holder
63	2933056026	A	B	Holder
999	3850304019	A	B	Door Reversing kit RH to LH

**Only Those Parts Identified With An Index Number Are Available For Service Replacement.**

# CABINET, INTERIOR COMPONENTS



NCMOD2089268

Only Those Parts Identified With An Index Number Are Available For Service Replacement.

## CABINET, INTERIOR COMPONENTS

Model RM2354 Prod # 921145046 = A

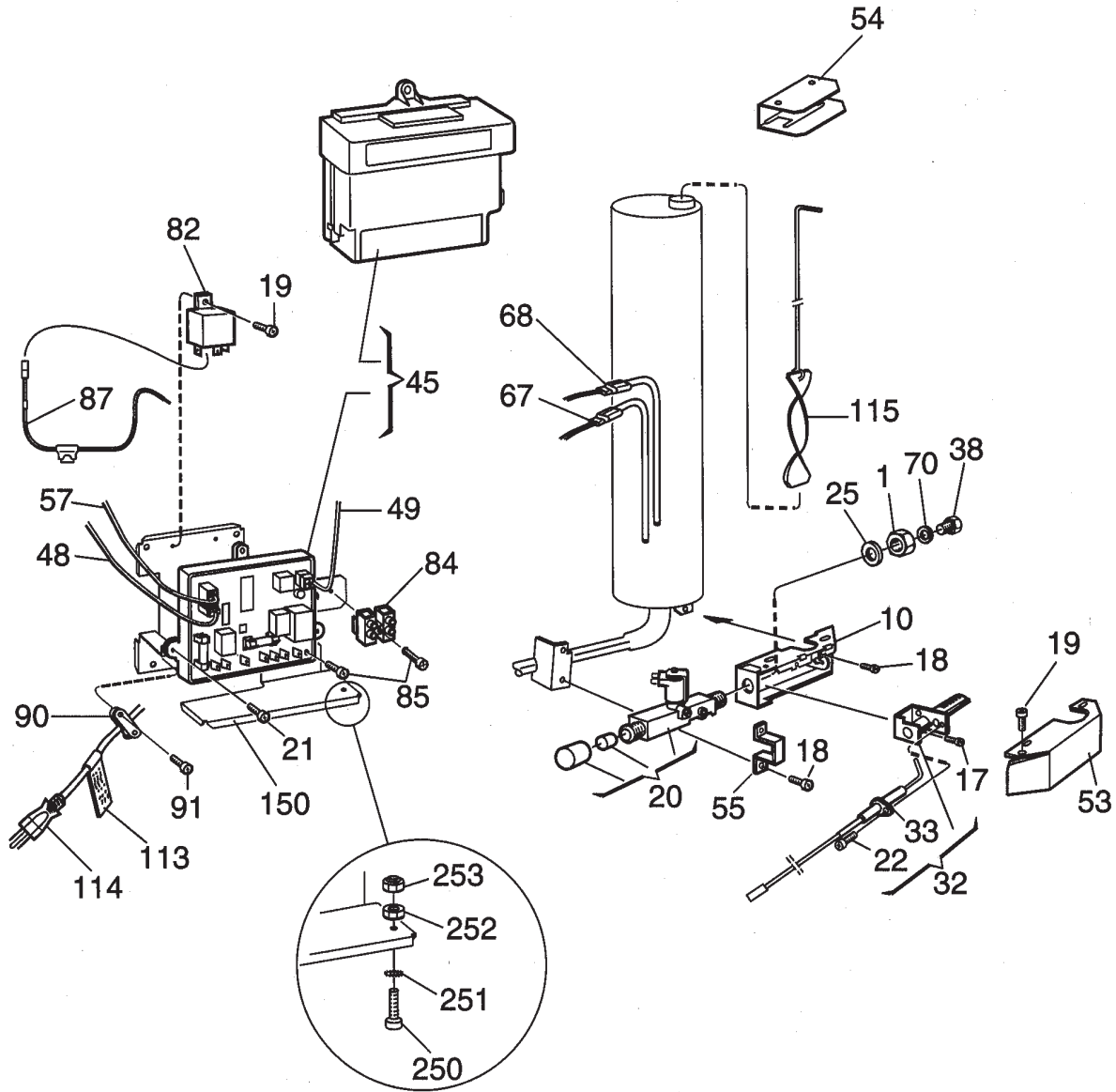
Model RM2354 Prod # 921145048 = B

Index No.	Part No.	A	B	Description
3	3850291018	A	B	Cooling Fins
4	3858036019	A	B	Screw, KFXS B10x38
5	3858002292	A	B	Screw, RXS B10 4.8x19
6	3850301023	A	B	Shelf
7	2932022045	A	B	Shelf
9	2932749118	A	B	Drain Hose, White
11	3858010121	A	B	Washer BRB 6.4x12.5
17	2932754019	A	B	Spring, LH
	2932754027	A	B	Spring, RH
19	2002236004	A	B	Spring Casting, LH
	2002236012	A	B	Spring Casting, RH
21	2932102011	A	B	Shelf Support
22	2932101013	A	B	Plug
23	2932103019	A	B	Plug
26	3850274014	A	B	Drip Protection
36	3851088017	A	B	Bracket, Thermistor
57	2002239271	A	B	Freezer Door
58	2002244008	A	B	Hinge Freezer Door
59	2933145027	A	B	Gasket Freezer Door
62	2002238000	A	B	Bolt
112	2932115013	A	B	Discharge Pipe Plug

Only Those Parts Identified With An Index Number Are Available For Service Replacement.



# CONTROL & BURNER COMPONENTS



NCMOH2085109

Only Those Parts Identified With An Index Number Are Available For Service Replacement.

## CONTROL & BURNER COMPONENTS

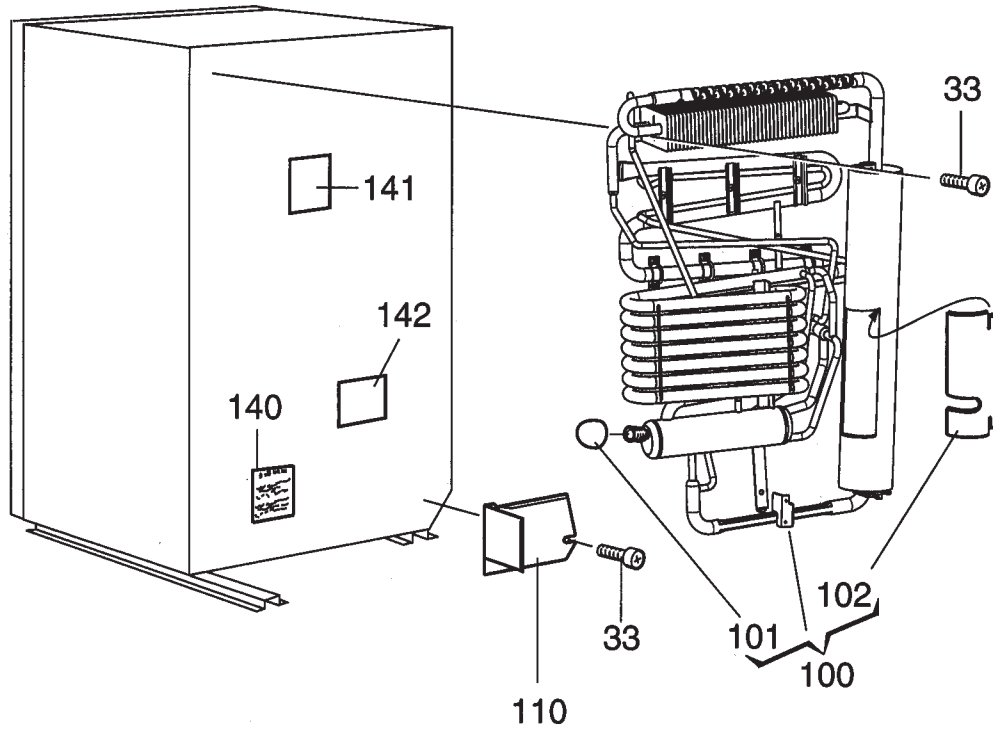
Model RM2354 Prod # 921145046 = A

Model RM2354 Prod # 921145048 = B

Index No.	Part No.	A	B	Description
1	0140207044	A	B	Nut
10	2932603018	A	B	Burner Housing
17	3858039039	A	B	Screw, MRX M4x8
18	3858039047	A	B	Screw, MRX M4x10
19	3858002144	A	B	Screw, RXS B6x9.5
20	2932615012	A	B	Solenoid Valve
21	3858002151	A	B	Screw, RXS B6x13
22	3858005014	A	B	Screw, RXK B6x9.5
25	3858010071	A	B	Washer, 12.5x18.5x1
32	2930697079	A	B	Burner, with conductor
33	2932781012	A	B	Electrode with conductor
38	2007419159	A	B	Jet #39
45	3850712013	A	B	Power Module
48	3851059034	A	B	Conductor, Thermistor
49	2954540064	A	B	Conductor, Solenoid Valve
53	2932661016	A	B	Cover
54	2007598010	A	B	Flue Cap
55	2932662014	A	B	Bracket
57	2954542060	A	B	Conductor
67	3850646104	A	B	Heater, 175W 12 VDC
68	3850644455	A	B	Heater, 175W 120 VAC
70	2007457001	A	B	Washer
82	3851334007	A	B	Relay
84	3858022019	A	B	Terminal Block
85	3858002185	A	B	Screw, RXS B6x25
87	2954553018	A	B	Wire W/fuse
90	2932342013	A	B	Cable Clamp
91	3858002177	A	B	Screw, RXS B6x19
113	2932733005	A	B	Label
114	2002699110	A	B	Cord
115	2007172022	A	B	Flame Spreader
150	3850754015	A	B	Bracket
250	3858004033	A	B	Screw, MRX M4x16
251	3858011012	A	B	Lock Washer
252	3858009016	A	B	Hex Nut
253	3858028024	A	B	Lock Nut

Only Those Parts Identified With An Index Number Are Available For Service Replacement.

### CABINET, REAR VIEW



NCMOE2070343

Only Those Parts Identified With An Index Number Are Available For Service Replacement.

---

## CABINET, REAR VIEW

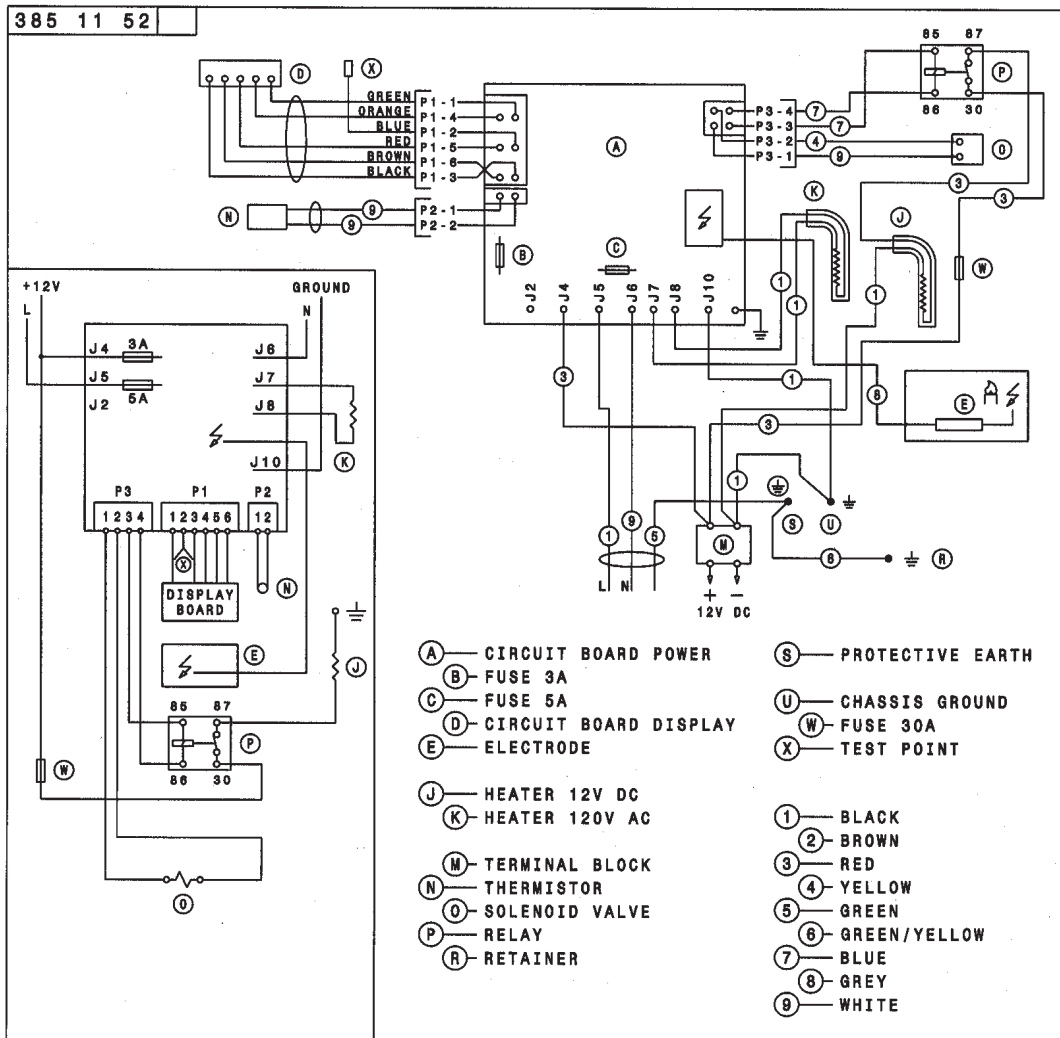
Model RM2354 Prod # 921145046 = A

Model RM2354 Prod # 921145048 = B

Index No.	Part No.	A	B	Description
33	3858039096	A	B	Screw, MRX M5x14
100	2934341096	A	B	Cooling Unit Type 341
101	0173228008	A	B	Cap
102	2800821007	A	B	Cover
110	3850601026	A	B	Protection
140	3850582002	A	B	Label
141	3850583000	A	B	Label
142	3850584008	A	B	Label

Only Those Parts Identified With An Index Number Are Available For Service Replacement.

# WIRING DIAGRAM



N38511520