



When ordering parts, always state:
MODEL NO. - PRODUCT NO. - QUANTITY -
PART NUMBER - DESCRIPTION
For Electric Details also state:
VOLTAGE - WATTAGE

RM2351 Refrigerator Parts List

USA
SERVICE OFFICE
Dometic Corporation
2320 Industrial Parkway
Elkhart, IN 46516
574-294-2511

CANADA
Dometic Corporation
46 Zatonski, Unit 3
Brantford, ON N3T 5L8
CANADA
519-720-9578

**For Service Center
Assistance Call:**
800-544-4881

Product Number	Model Number	Voltage	Frame Color	Door Style	Door/Door Trim Color	Market	Brand
921145049	RM2351	120 VAC	Black	Standard	Black	USA, Canada	Dometic
921145050	RM2351	120 VAC	Black	Standard	Black	USA, Canada	Dometic

PARTS LIST

**MODEL
RM2351
Series**

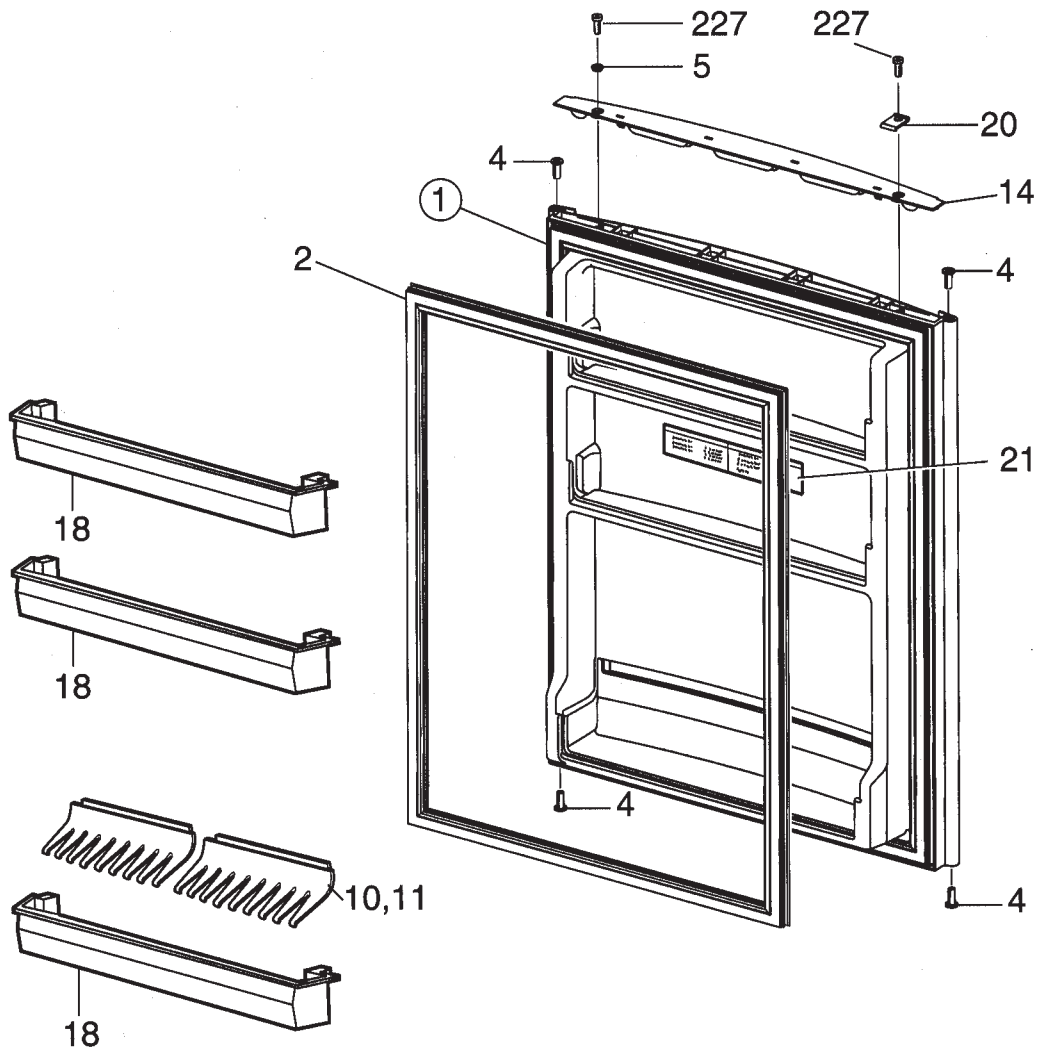
ALPHABETICAL INDEX

	Page#	Index#
Cabinet, Exterior Components	5-6	3-112
Cabinet, Interior Components.....	7-8	2-999
Cabinet, Rear View.....	11-12	33-142
Control & Burner Components	9-10	1-253
Door Assm.	3-4	1-227
Wiring Diagram.....	13	—

SPECIFICATIONS

Model	RM2351
Product Number*	921145049 921145050
Energy Source**	120AC, 12DC, Gas
AC Heating Element	
Amperage	1.5
Ohm Resis. +/- 10%	80
Watts	175
BTU's Gas Burner	1000
Jet Size	39
Flue Baffle	
Size	3/15/16" X 25/32"
Position Above Burner	1-15/32"
Ice Trays	0
Crispers	0
Bottle Holders	2
* Product number located on refrigerator data plate.	
** 12 volt DC power is required to operate the refrigerator	

DOOR ASSEMBLY



NCMOA2089269

Only Those Parts Identified With An Index Number Are Available For Service Replacement.

DOOR ASSEMBLY

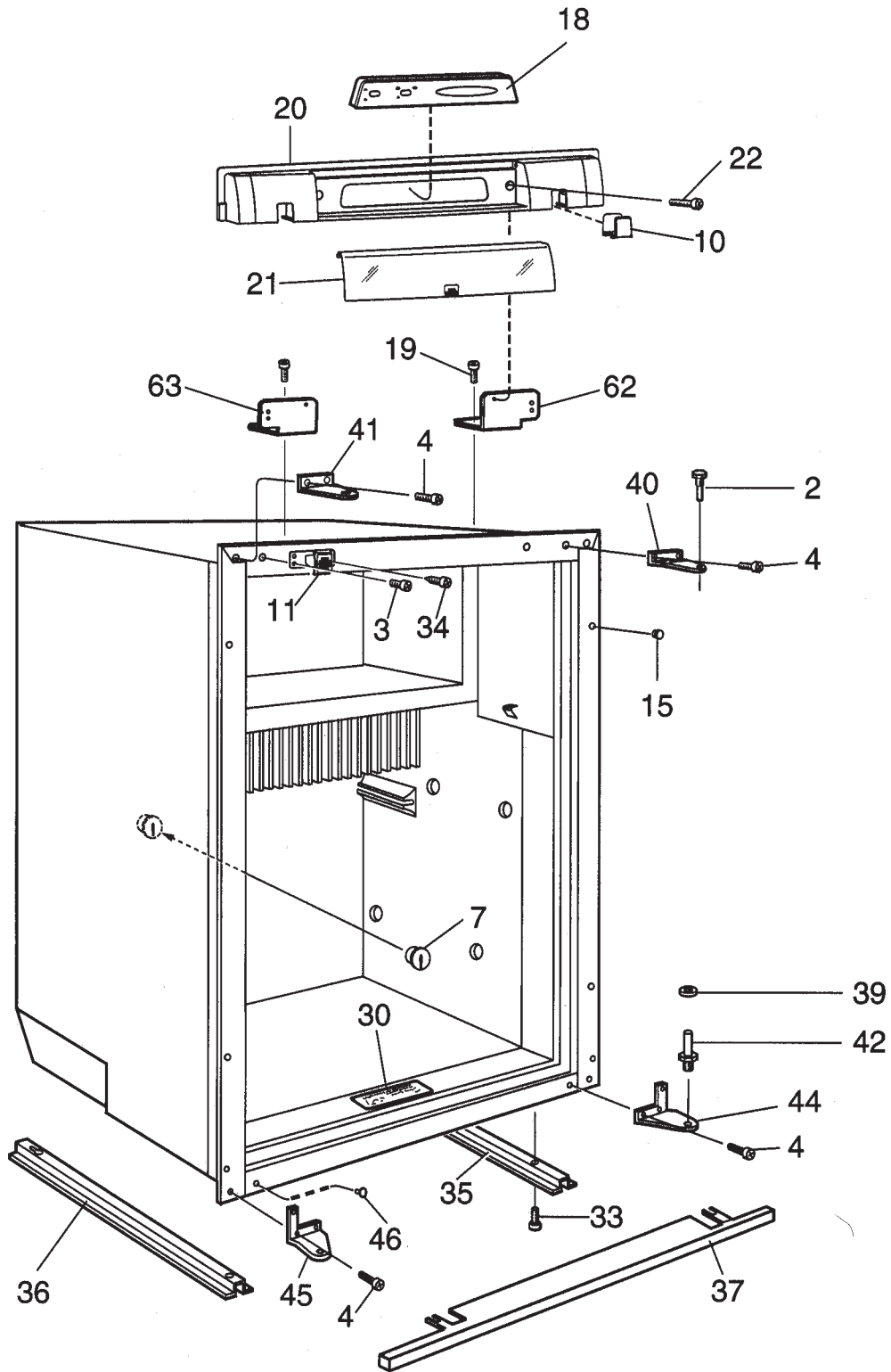
Model RM2351 Prod # 921145049 = A

Model RM2351 Prod # 921145050 = B

Index No.	Part No.	A	B	Description
1	3851163018	A	B	Door, Refrigerator,
2	3850990064	A	B	Gasket, Black
4	2931171066	A	B	Hinge bushing, Black
5	3850261029	A	B	Plug, Black
10	2930715053	A	B	Bottle Holder
11	2930715061	A	B	Bottle Holder
14	3851136014	A	B	Decoration Strip Black
18	2002261242	A	B	Door Shelf
20	3850260021	A	B	Lock Plate-Black
21	3851235006	A	B	Label
227	3858002037	A	B	Screw, RXS B8 4.2 x 13

Only Those Parts Identified With An Index Number Are Available For Service Replacement.

CABINET, EXTERIOR COMPONENTS



NCMOB2089266

Only Those Parts Identified With An Index Number Are Available For Service Replacement.

CABINET, EXTERIOR COMPONENTS

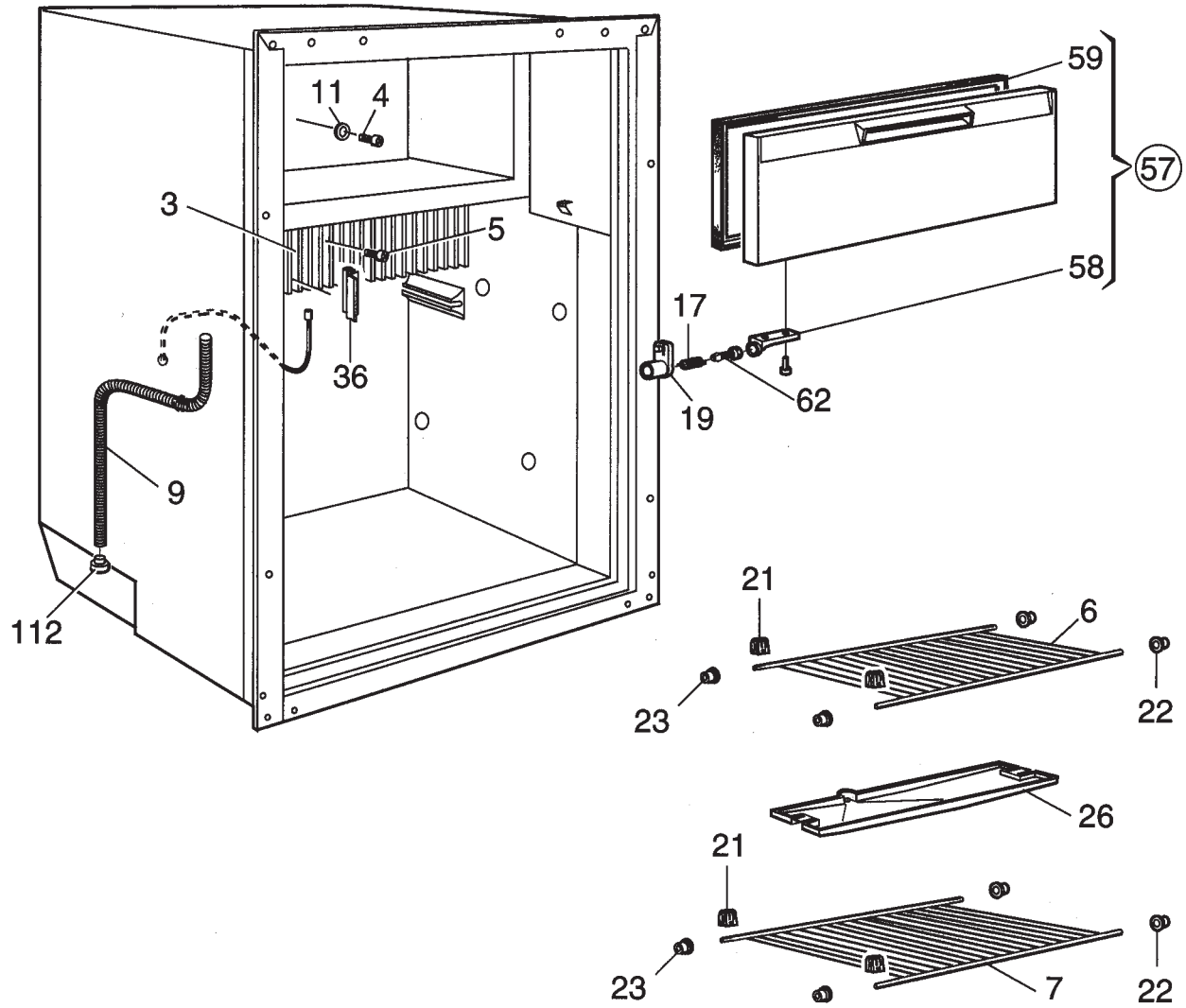
Model RM2351 Prod # 921145049 = A

Model RM2351 Prod # 921145050 = B

Index No.	Part No.	A	B	Description
2	2932415017	A	B	Hinge Pin, Upper
3	3858039088	A	B	Screw, M5x10
4	3858056025	A	B	Screw, MFX M5x10
7	2002301006	A	B	Cover
10	3851139018	A	B	Cover Plate, Black
11	3851138010	A	B	Door Catch, Black
15	3850336029	A	B	Plug-Black
18	2932771021	A	B	Panel, Display Board-Black
19	3858002144	A	B	Screw, RXS B6x9.5
20	3851141022	A	B	Front Decoration, Black
21	3851146013	A	B	Cover, Clear
22	3858039062	A	B	Screw, MRX-TT M4x20
30	2932776004	A	B	Instruction Plate
33	3858039096	A	B	Screw, MRX M5x14
34	3858002219	A	B	Screw, RXS B10 4.8x9.5
35	2932486018	A	B	Runner RH
36	2932486026	A	B	Runner LH
37	2932325042	A	B	Base, Front
39	3858010089	A	B	Washer, 5.5x12x1
40	3850270012	A	--	Hinge RH
41	3850271010	--	B	Hinge LH
42	3850269014	A	B	Hinge Pin, Lower
44	3850340013	A	--	Hinge Lower, RH
45	3850341011	--	B	Hinge, Lower LH
46	3850362025	A	B	Plug-Black
62	2933056018	A	B	Holder
63	2933056026	A	B	Holder
999	3850304019	A	B	Door Reversing Kit, Black, RH to LH

Only Those Parts Identified With An Index Number Are Available For Service Replacement.

CABINET, INTERIOR COMPONENTS



NCMOD2089268

Only Those Parts Identified With An Index Number Are Available For Service Replacement.

CABINET, INTERIOR COMPONENTS

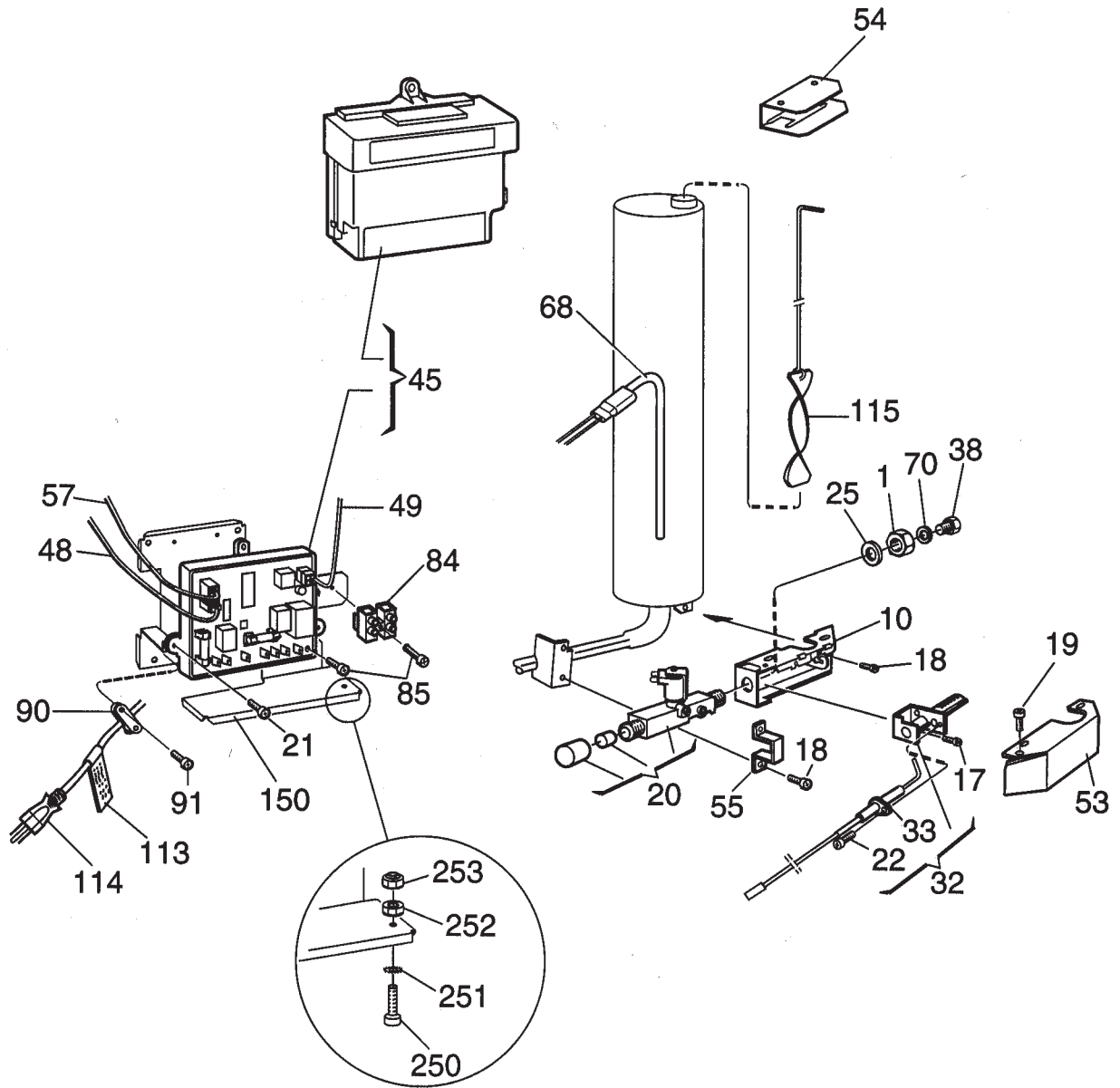
Model RM2351 Prod # 921145049 = A

Model RM2351 Prod # 921145050 = B

Index No.	Part No.	A	B	Description
3	3850291018	A	B	Cooling Fins
4	3858036019	A	B	Screw, KFXS B10x38
5	3858002292	A	B	Screw, RXS B10 4.8x19
6	3850301023	A	B	Shelf
7	2932022045	A	B	Shelf
9	2932749118	A	B	Drain Hose, White
11	3858010121	A	B	Washer BRB 6.4x12.5
17	2932754019	A	B	Spring LH
	2932754027	A	B	Spring RH
19	2002236004	A	B	Spring Casting LH
	2002236012	A	B	Spring Casting RH
21	2932102011	A	B	Shelf Support
22	2932101013	A	B	Plug
23	2932103019	A	B	Plug
26	3850274014	A	B	Drip Protection
36	3851088017	A	B	Bracket, Thermistor
57	2002239271	A	B	Freezer Door
58	2002244008	A	B	Hinge Freezer Door
59	2933145027	A	B	Gasket Freezer Door
62	2002238000	A	B	Bolt
112	2932115013	A	B	Discharge Pipe Plug

Only Those Parts Identified With An Index Number Are Available For Service Replacement.

CONTROL & BURNER COMPONENTS



NCMOH2085103

Only Those Parts Identified With An Index Number Are Available For Service Replacement.

CONTROL & BURNER COMPONENTS

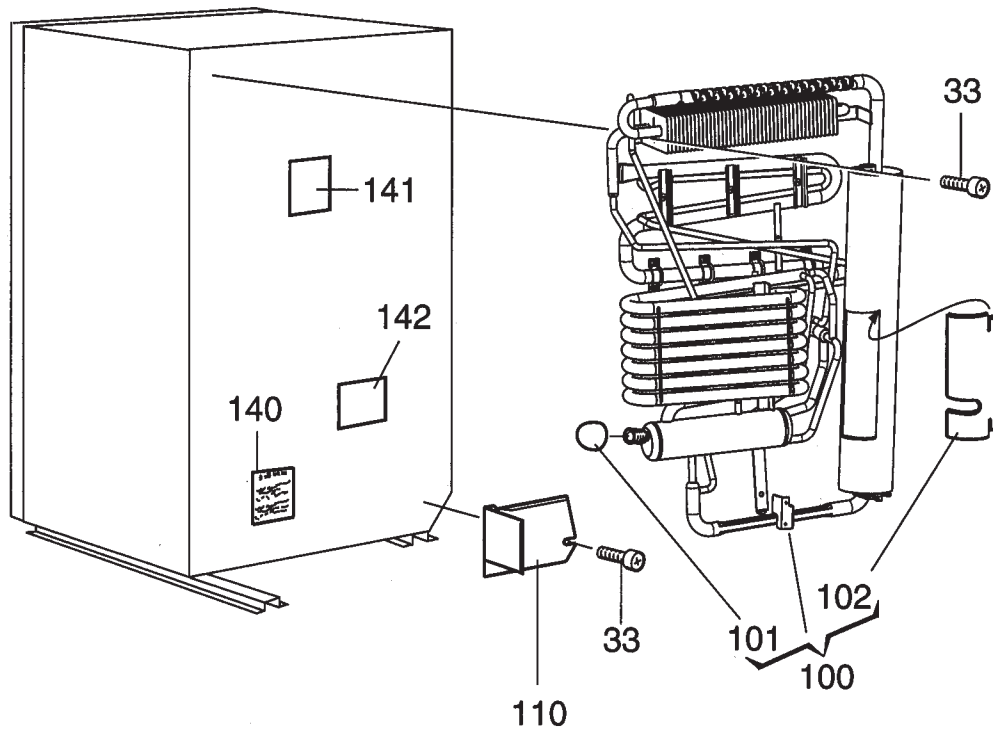
Model RM2351 Prod # 921145049 = A

Model RM2351 Prod # 921145050 = B

Index No.	Part No.	A	B	Description
1	0140207044	A	B	Nut
10	2932603018	A	B	Burner Housing
17	3858039039	A	B	Screw, MRX M4x8
18	3858039047	A	B	Screw, MRX M4x10
19	3858002144	A	B	Screw, RXS B6x9.5
20	2932615012	A	B	Solenoid Valve
21	3858002151	A	B	Screw, RXS B6x13
22	3858005014	A	B	Screw, RXK B6x9.5
25	3858010071	A	B	Washer, 12.5x18.5x1
32	2930697079	A	B	Burner, with conductor
33	2932781012	A	B	Electrode with conductor
38	2007419159	A	B	Jet #39
45	3850712013	A	B	Power Module
48	3851059034	A	B	Conductor, Thermistor
49	2954539041	A	B	Conductor, Solenoid Valve
53	2932661016	A	B	Cover
54	2007598010	A	B	Flue Cap
55	2932662014	A	B	Bracket
57	2954542060	A	B	Conductor
68	3850644455	A	B	Heater, 175W 120 VAC
70	2007457001	A	B	Washer
84	3858022019	A	B	Terminal Block
85	3858002185	A	B	Screw, RXS B6x25
90	2932342013	A	B	Cable Clamp
91	3858002177	A	B	Screw, RXS B6x19
113	2932733005	A	B	Label
114	2002699110	A	B	Cord
115	2007172022	A	B	Flame Spreader
150	3850754015	A	B	Bracket
250	3858004033	A	B	Screw, MRX M4x16
251	3858011012	A	B	Lock Washer
252	3858009016	A	B	Hex Nut
253	3858028024	A	B	Lock Nut

Only Those Parts Identified With An Index Number Are Available For Service Replacement.

CABINET, REAR VIEW



NCMOE2070343

Only Those Parts Identified With An Index Number Are Available For Service Replacement.

CABINET, REAR VIEW

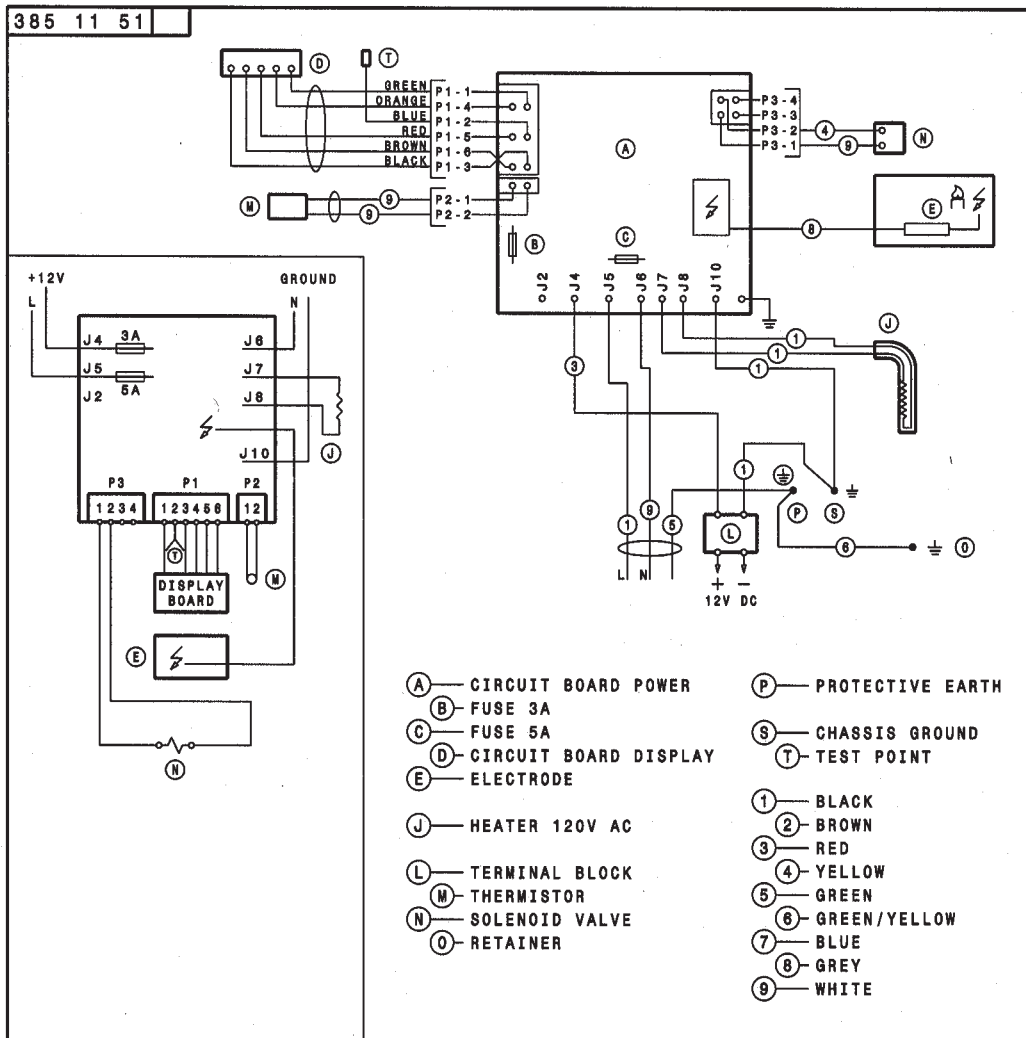
Model RM2351 Prod # 921145049 = A

Model RM2351 Prod # 921145050 = B

Index		A	B	Description
No.	Part No.			
33	3858039096	A	B	Screw, MRX M5x14
100	2934341096	A	B	Cooling Unit Type 341
101	0173228008	A	B	Cap
102	2800821007	A	B	Cover
110	3850601026	A	B	Protection
140	3850582002	A	B	Label
141	3850583000	A	B	Label
142	3850584008	A	B	Label

Only Those Parts Identified With An Index Number Are Available For Service Replacement.

WIRING DIAGRAM



N38511510