



When ordering parts, always state:
MODEL NO. - PRODUCT NO. - QUANTITY -
PART NUMBER - DESCRIPTION
For Electric Details also state:
VOLTAGE - WATTAGE

RM2351 REFRIGERATOR PARTS LIST

USA
SERVICE OFFICE
Dometic Corporation
509 South Poplar Street
Lagrange, IN 46761
574-294-2511

CANADA
Dometic Distribution
866 Langs Drive
Cambridge, Ontario
CANADA N3H 2N7
519-653-4390

**For Service Center
Assistance Call:**
800-544-4881

| Product Number | Model | Voltage | Refrig. Frame Color | Door Style | Door/Door Trim Color | Market | Brand |
|----------------|--------|---------|------------------------|------------|-------------------------|-----------|---------|
| 921145024 | RM2351 | 120 | TAUPE | LEFT | TAUPE | USA - CAN | DOMETIC |
| 921145026 | RM2351 | 120 | TAUPE | RIGHT | TAUPE | USA - CAN | DOMETIC |

PARTS LIST

**MODEL
RM2351
Series**

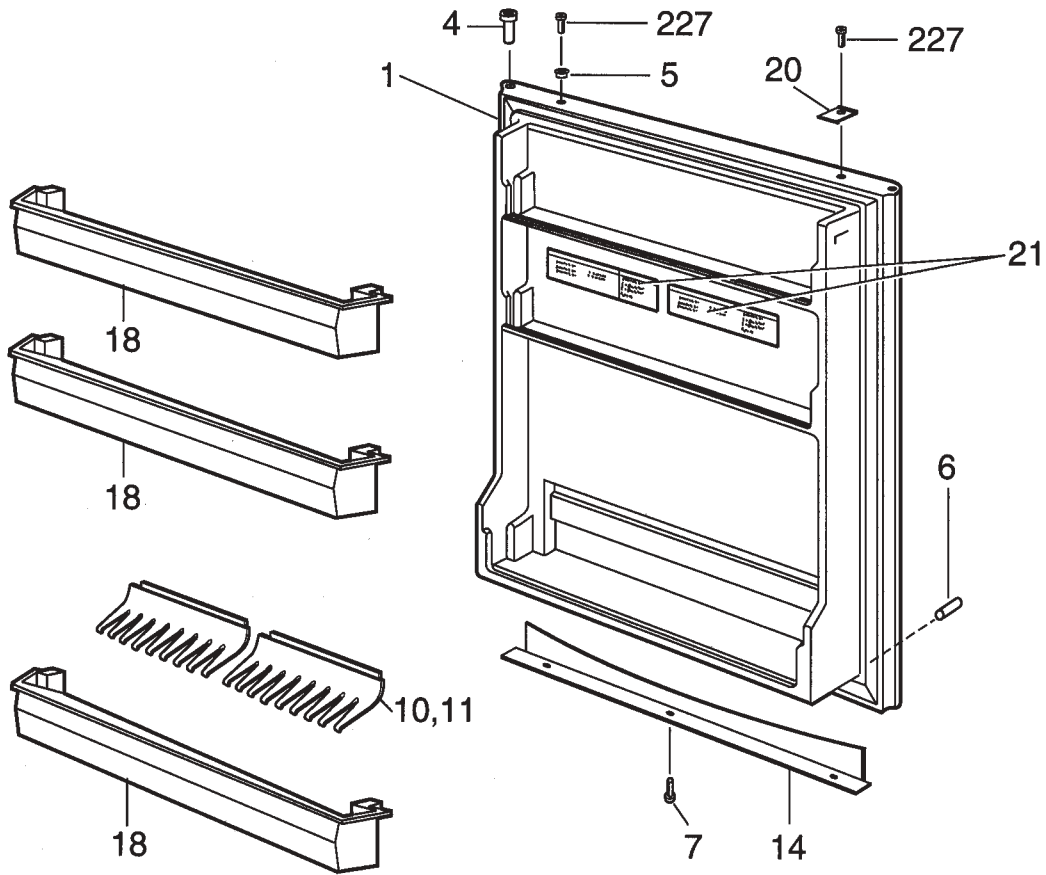
ALPHABETICAL INDEX

| | Page# | Index# |
|------------------------------------|-------|--------|
| Cabinet, Exterior Components | 4-5 | 2-999 |
| Cabinet, Interior Components | 6-7 | 3-70 |
| Cabinet, Rear View | 10-11 | 33-142 |
| Control & Burner Components | 8-9 | 1-253 |
| Door Assm. | 3 | 1-227 |
| Wiring Diagram | 12 | — |

SPECIFICATIONS

| | |
|--|------------------------|
| Model | RM2351 |
| Product Number* | 921145024 921145026 |
| Energy Source** | 120VAC, Gas |
| AC Heating Element | |
| Amperage | 1.5 |
| Ohm Resis. +/- 10% | 80 |
| Wattage | 175 |
| BTU's Gas Burner | 1000 |
| Jet Size | #39 |
| Flue Baffle | |
| Size | 3-15/16" x 25/32" |
| Position Above Burner | 1-15/32" |
| Ice Trays | 0 |
| Crispers | 0 |
| Bottle Holders | 2 |
| <p>* Product number located on refrigerator data plate. ** 12 volt DC power is required to operate the refrigerator controls on all models.</p> | |

DOOR ASSEMBLY



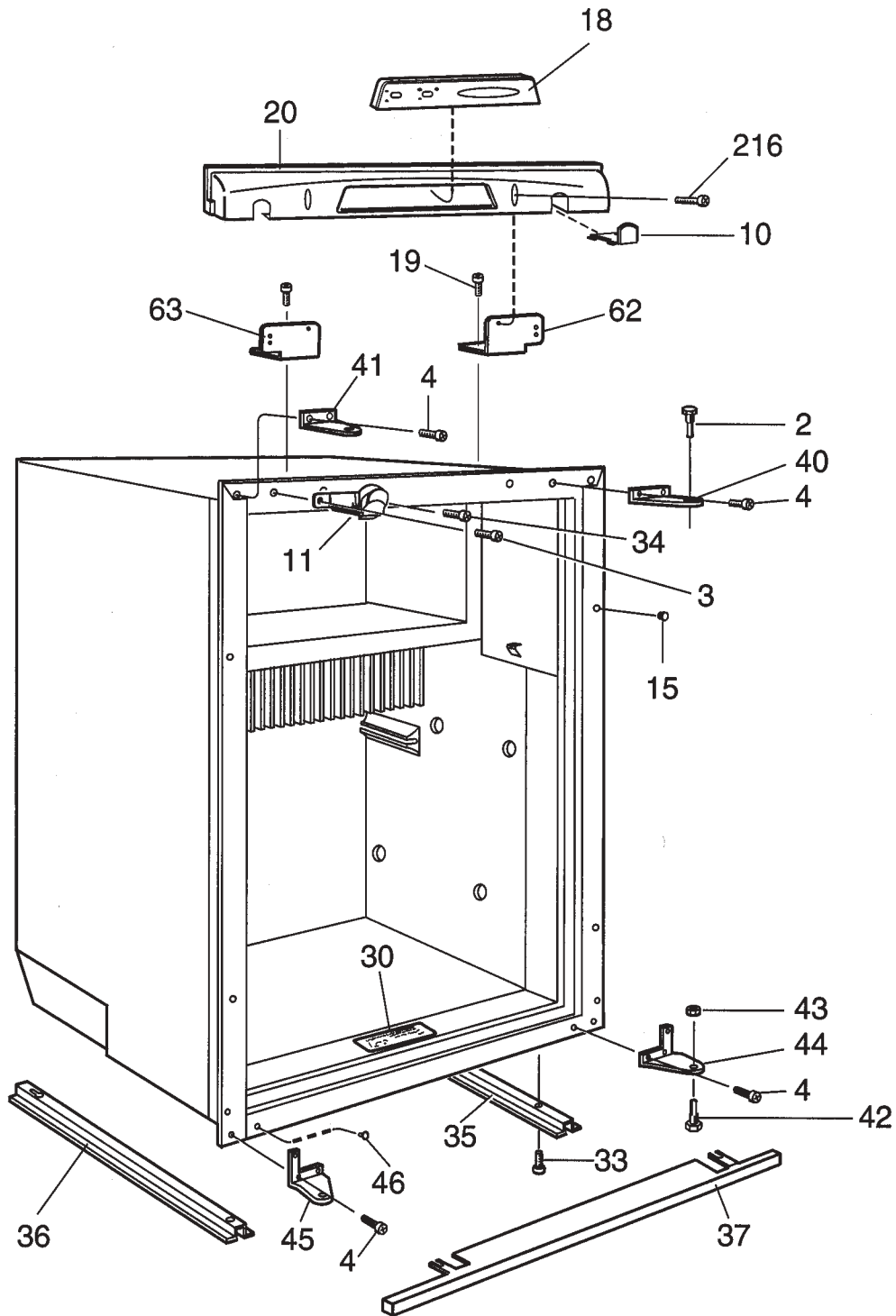
NCMOA2070338

RM2351 921145024 = A
 RM2351 921145026 = B

| INDEX | PART NUMBER | MODEL | DESCRIPTION |
|-------|-------------|-------|------------------------|
| 1 | 3850272067 | A B | Door, Refrigerator |
| 4 | 2931171041 | A B | Bushing, Hinge |
| 5 | 3850261011 | A B | Plug |
| 6 | 2932588011 | A B | Stopper |
| 7 | 3858002102 | A B | Screw, RXS B4x9.5 Zinc |
| 10 | 2930715053 | A B | Bottle Holder 179mm |
| 11 | 2930715061 | A B | Bottle Holder 202mm |
| 14 | 3850259015 | A B | Trim, Bottom |
| 18 | 2002261242 | A B | Door Shelf |
| 20 | 3850260013 | A B | Lock Plate |
| 21 | 2932722008 | A B | Decal |
| | 3850581004 | A B | Decal, French |
| 227 | 3858002037 | A B | Screw, RXS B8, 4.2x13 |

Only Those Parts Identified With An Index Number Are Available For Service Replacement.

CABINET, EXTERIOR COMPONENTS



NCMOB2070339

Only Those Parts Identified With An Index Number Are Available For Service Replacement.

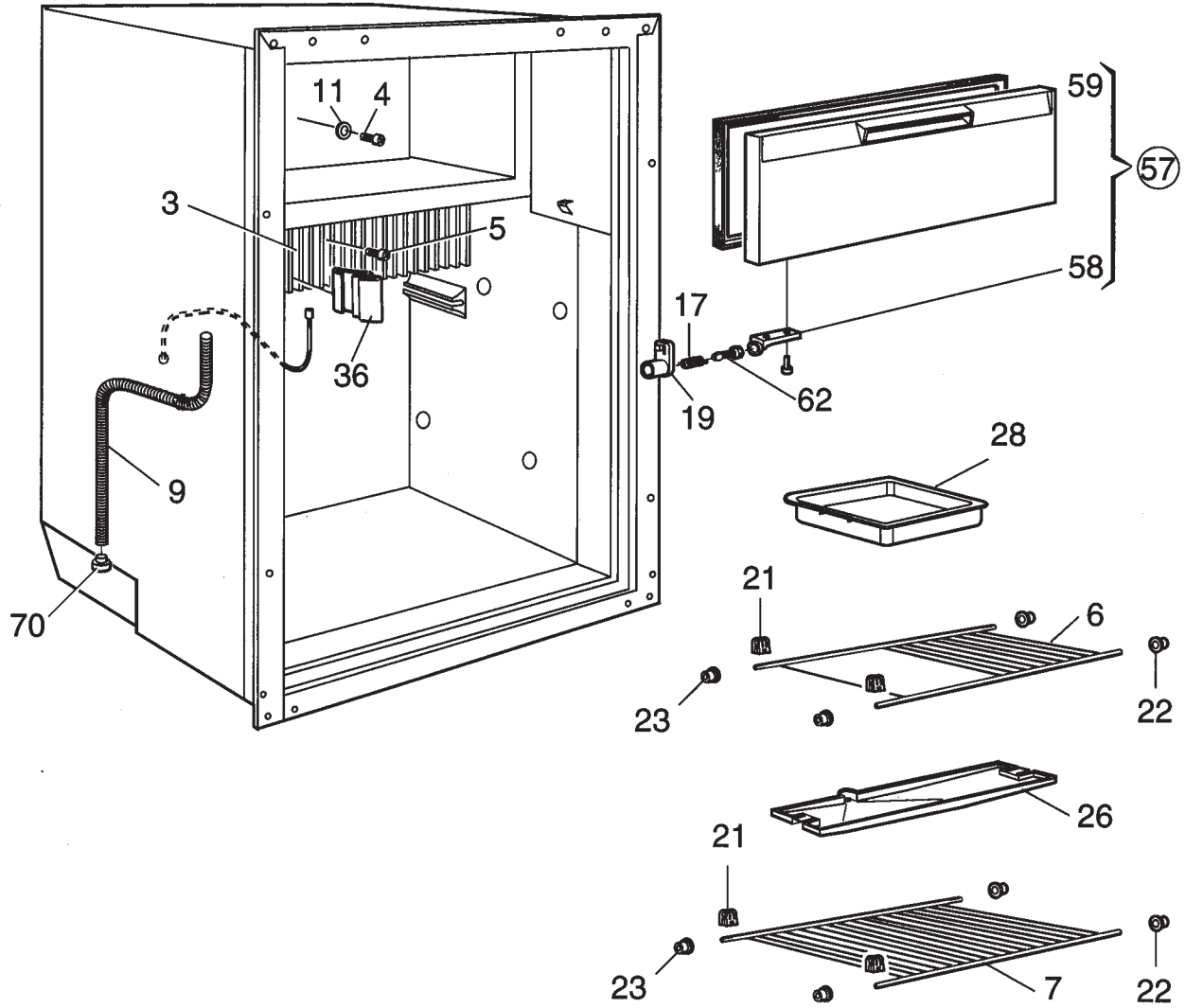
CABINET, EXTERIOR COMPONENTS

RM2351 921145024 = A
RM2351 921145026 = B

| INDEX | PART NUMBER | MODEL | DESCRIPTION |
|-------|-------------|-------|-----------------------------|
| 2 | 2932415017 | A B | Hinge Pin, Upper |
| 3 | 3858039088 | A B | Screw M5x10, Zinc |
| 4 | 3858056025 | A B | Screw, MFX B6x9.5 Zinc |
| 10 | 3850263017 | A B | Cover Tray |
| 11 | 3850319017 | A B | Lock Latch |
| 15 | 3850336011 | A B | Plug |
| 18 | 2932771013 | A B | Panel, Display Board |
| 19 | 3858002144 | A B | Screw, RXS B6x9.5 Zinc |
| 20 | 3850759014 | A B | Front Decoration, Brown |
| 30 | 2932776004 | A B | Decal |
| 33 | 3858039096 | A B | Screw, MRX M5x14 |
| 34 | 3858002219 | A B | Screw, RXS B10 4.8x9.5 Zinc |
| 35 | 2932486018 | A B | Runner RH |
| 36 | 2932486026 | A B | Runner LH |
| 37 | 2932325026 | A B | Base Front |
| 40 | 3850270012 | A - | Hinge RH |
| 41 | 3850271010 | - B | HingeLH |
| 42 | 3850322011 | A B | Hinge Pin Lower |
| 43 | 3858009032 | A B | Nut, M6x3.2 Zinc |
| 44 | 3850340013 | A - | Hinge Lower RH |
| 45 | 3850341011 | - B | Hinge Lower LH |
| 46 | 3850362017 | A B | Plug |
| 62 | 2933056018 | A B | Holder |
| 63 | 2933056026 | A B | Holder |
| 216 | 3858005022 | A B | Screw, RXK B6x16 |
| 999 | 3850304019 | A B | Door Reversing Kit RH & LH |

Only Those Parts Identified With An Index Number Are Available For Service Replacement.

CABINET, INTERIOR COMPONENTS



NCMOD2070342

Only Those Parts Identified With An Index Number Are Available For Service Replacement.

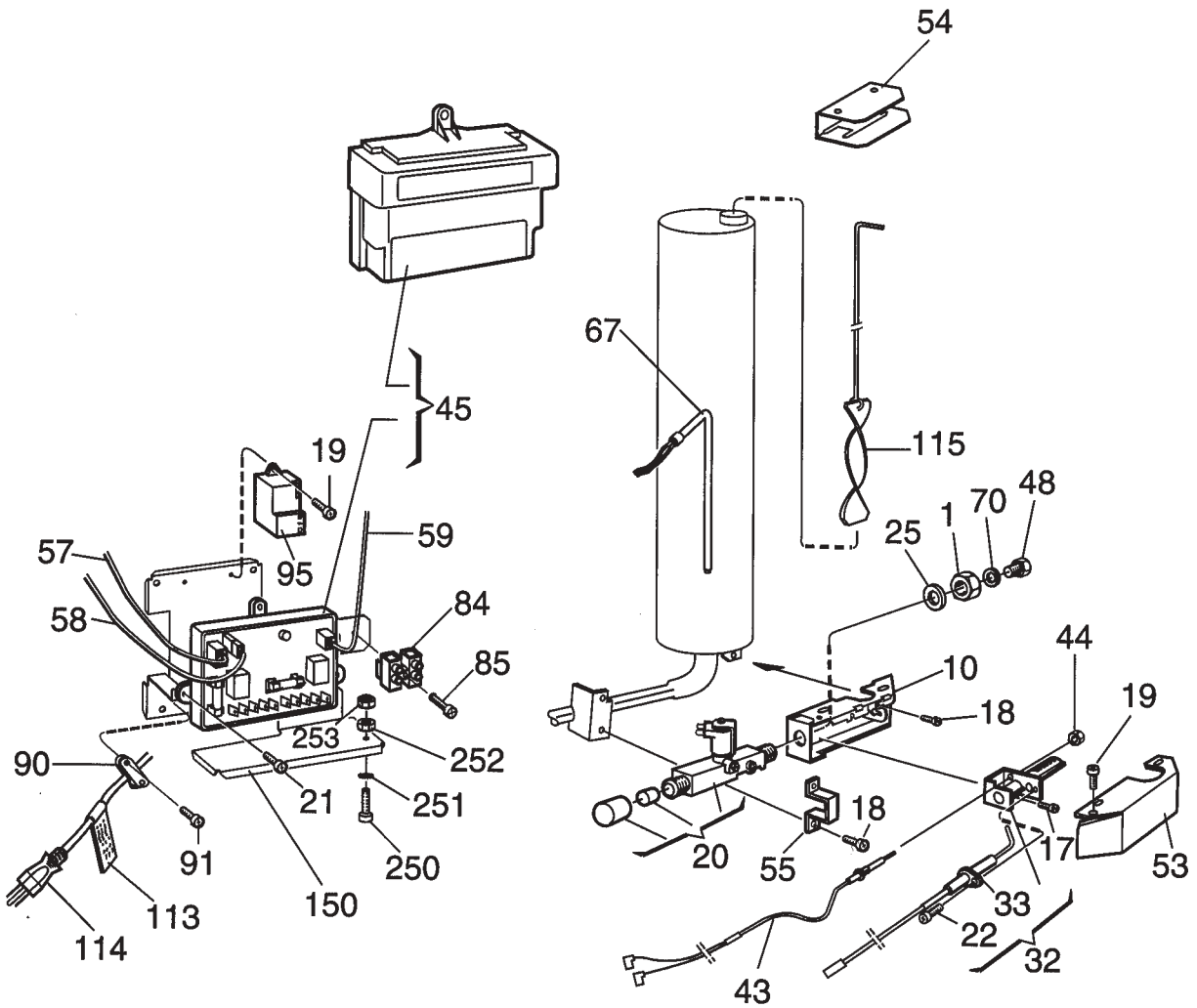
CABINET, INTERIOR COMPONENTS

RM2351 921145024 = A
 RM2351 921145026 = B

| INDEX | PART NUMBER | MODEL | DESCRIPTION |
|-------|-------------|-------|--------------------------------|
| 3 | 3850291018 | A B | Cooling Fin |
| 4 | 3858036019 | A B | Screw, KFXS B10x38 |
| 5 | 3858002292 | A B | Screw, RXS B10 4.8x12.5 |
| 6 | 3850301015 | A B | Shelf |
| 7 | 2932022045 | A B | Shelf |
| 9 | 2932749118 | A B | Drain Hose BRB 6.4x12.5 |
| 11 | 3858010121 | A B | Washer, BRB 6.4x12.5 Stainless |
| 17 | 2932754019 | A B | Spring LH |
| | 2932754027 | A B | Spring RH |
| 19 | 2002236004 | A B | Spring Casting LH |
| | 2002236012 | A B | Spring Casting RH |
| 21 | 2932102011 | A B | Shelf Support |
| 22 | 2932101013 | A B | Plug |
| 23 | 2932103019 | A B | Plug |
| 26 | 3850274014 | A B | Drip Protection |
| 28 | 2932636018 | A B | Box |
| 36 | 2932456011 | A B | Bracket, Thermister |
| 57 | 2002239339 | A B | Door, Freezer |
| 58 | 2002244008 | A B | Hinge, Freezer Door-White |
| 59 | 2933145027 | A B | Gasket, Freezer Door-White |
| 62 | 2002238000 | A B | Bolt |
| 70 | 2932115013 | A B | Discharge Pipe Plug |

Only Those Parts Identified With An Index Number Are Available For Service Replacement.

CONTROL & BURNER COMPONENTS



NCMOH2070340

Only Those Parts Identified With An Index Number Are Available For Service Replacement.

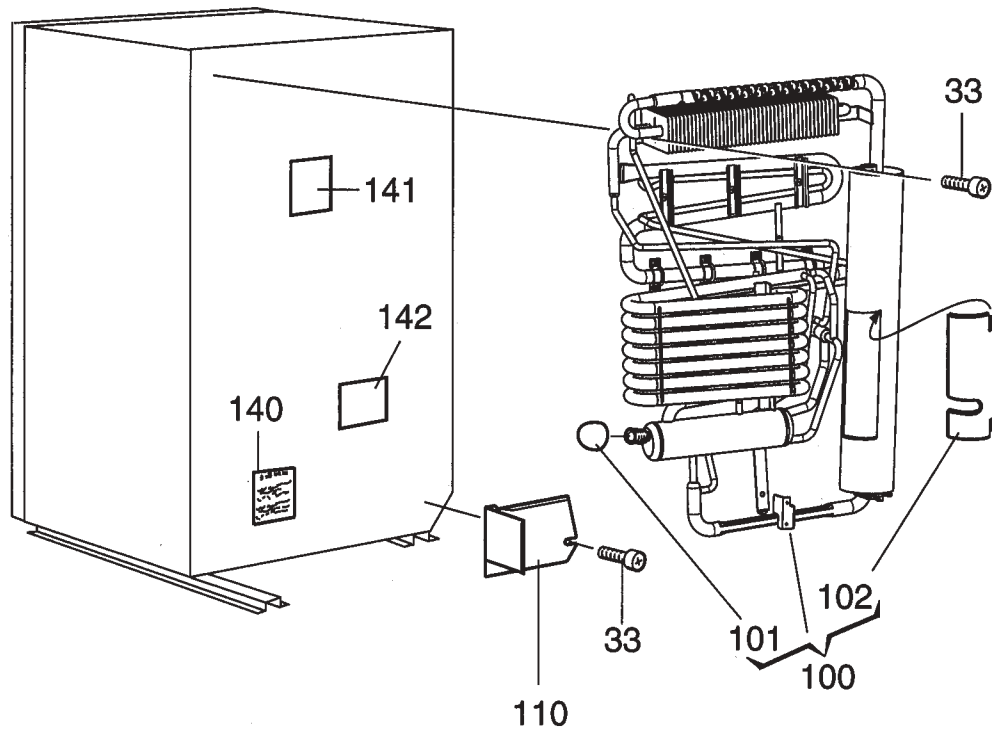
CONTROL & BURNER COMPONENTS

RM2351 921145024 = A
RM2351 921145026 = B

| INDEX | PART NUMBER | MODEL | DESCRIPTION |
|-------|-------------|-------|-------------------------|
| 1 | 0140207044 | A B | Nut |
| 10 | 2932603018 | A B | Burner Housing |
| 17 | 3858039039 | A B | Screw, MRX M4x8 Zinc |
| 18 | 3858039047 | A B | Screw, MRX Mx10 Zinc |
| 19 | 3858002144 | A B | Screw, RXS B6x9.5 Zinc |
| 20 | 2932615012 | A B | Solenoid, Vale |
| 21 | 3858002151 | A B | Screw, RXS B6x13 Zinc |
| 22 | 3858005014 | A B | Screw, RXK B6x9.5 Zinc |
| 25 | 3858010071 | A B | Washer, 12.5x18.5x1 |
| 32 | 2930697079 | A B | Burner W/Lead |
| 33 | 2932781012 | A B | Electrode W/Lead |
| 43 | 2932052018 | A B | Thermocouple |
| 44 | 2801043015 | A B | Nut |
| 45 | 3850415013 | A B | Power Module, Universal |
| 48 | 2007419159 | A B | Jet #39 |
| 53 | 2932661016 | A B | Cover |
| 54 | 2007598010 | A B | Flue Cap |
| 55 | 2932662014 | A B | Bracket |
| 57 | 2954542037 | A B | Lead, PCB |
| 58 | 2931863035 | A B | Lead, Thermister |
| 59 | 2954539033 | A B | Lead, Solenoid Valve |
| 67 | 0173771023 | A B | Heater 175W, 120VAC |
| 70 | 2007457001 | A B | Washer, 0.5mm |
| 84 | 3858022019 | A B | Terminal Block |
| 85 | 3858002185 | A B | Screw, RXS B6x19 Zinc |
| 90 | 2932342013 | A B | Cable Clamp |
| 91 | 3858002177 | A B | Screw, RXS B6x19 Zinc |
| 95 | 2931132027 | A B | Reignitor |
| 113 | 2932733005 | A B | Decal |
| 114 | 2002699110 | A B | Power Cord |
| 115 | 2007172022 | A B | Flue Baffle |
| 150 | 3850754015 | A B | Bracket |
| 250 | 3858004033 | A B | Screw, MRX M4x16 Zinc |
| 251 | 3858011012 | A B | Washer, Lock 4.3x8 |
| 252 | 3858009016 | A B | Nut, Hex M4x3.2 Zinc |
| 253 | 3858028024 | A B | Lock Nut, M4 Zinc |

Only Those Parts Identified With An Index Number Are Available For Service Replacement.

CABINET, REAR VIEW



NCMOE2070343

Only Those Parts Identified With An Index Number Are Available For Service Replacement.

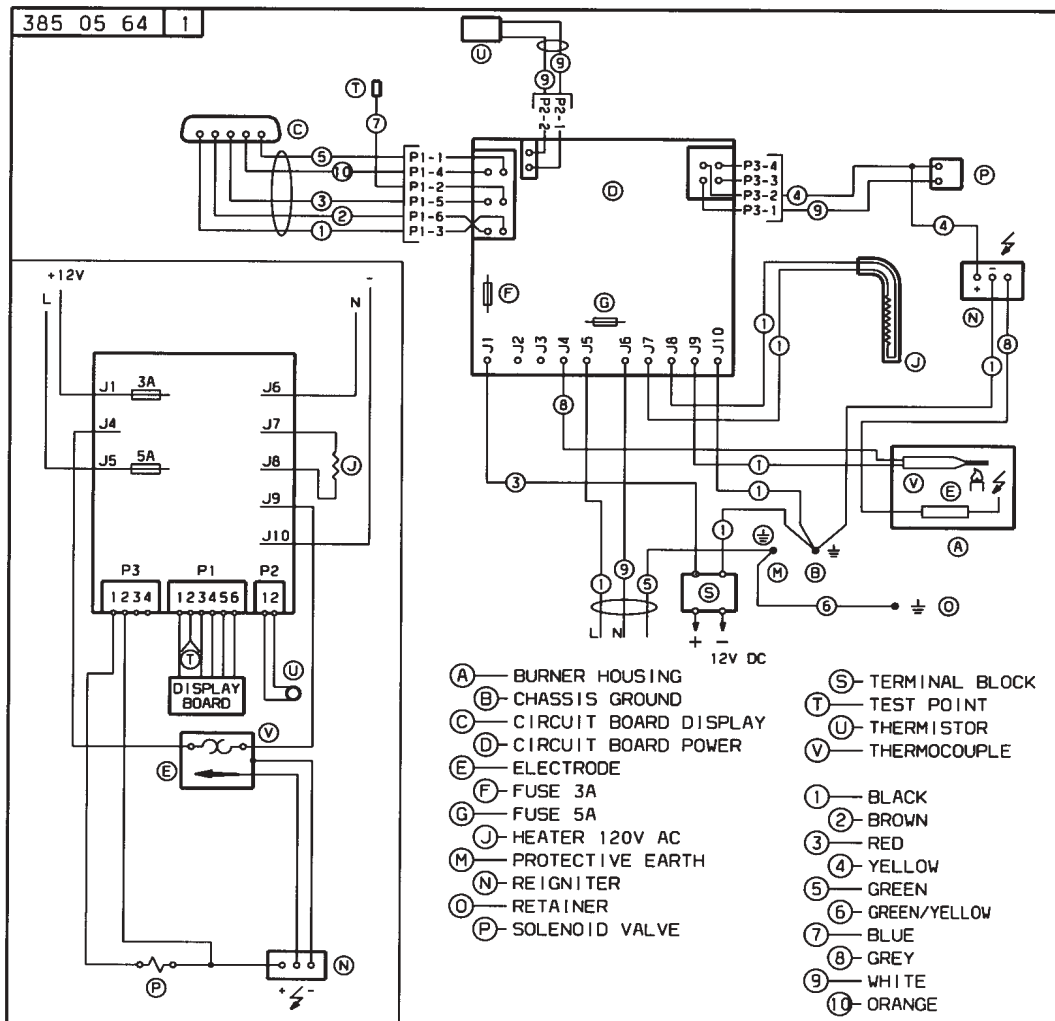
CABINET, REAR VIEW

RM2351 921145024 = A
RM2351 921145026 = B

| INDEX | PART NUMBER | MODEL | DESCRIPTION |
|--------------|--------------------|--------------|-----------------------|
| 33 | 3858039096 | A B | Screw, MRX M5X14 Zinc |
| 100 | 2934341096 | A B | Cooling Unit Type341 |
| 101 | 0173228008 | A B | Cap |
| 102 | 2800821007 | A B | Cover |
| 110 | 3850601026 | A B | Protection |
| 140 | 3850582002 | A B | Decal |
| 141 | 3850583000 | A B | Decal |
| 142 | 3850584008 | A B | Decal |

Only Those Parts Identified With An Index Number Are Available For Service Replacement.

WIRING DIAGRAM



N38505641