



When ordering parts, always state:
 MODEL NO. - PRODUCT NO. - QUANTITY -
 PART NUMBER - DESCRIPTION
For Electric Details also state:
 VOLTAGE - WATTAGE

RM2354 REFRIGERATOR PARTS LIST

USA
 SERVICE OFFICE
 Dometic Corporation
 509 South Poplar Street
 Lagrange, IN 46761
 574-294-2511

CANADA
 Dometic Distribution
 866 Langs Drive
 Cambridge, Ontario
 CANADA N3H 2N7
 519-653-4390

**For Service Center
 Assistance Call:**
 800-544-4881

Product Number	Model	Voltage	Refrig. Frame Color	Door Style	Door/Door Trim Color	Market	Brand
921145030	RM2354	12-120	BLACK	LEFT	BLACK	USA - CAN	DOMETIC
921145031	RM2354	12-120	BLACK	RIGHT	BLACK	USA - CAN	DOMETIC

PARTS LIST

**MODEL
RM2354
Series**

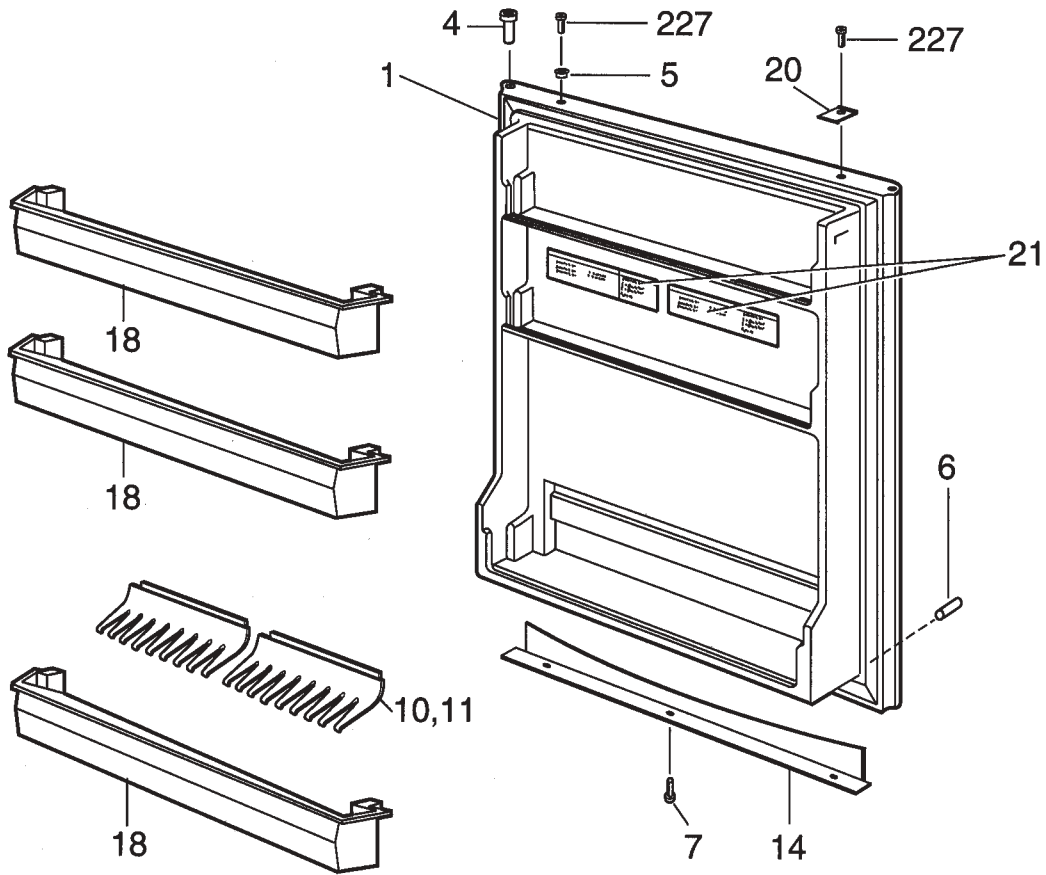
ALPHABETICAL INDEX

	Page#	Index#
Cabinet, Exterior Components	4-5	2-999
Cabinet, Interior Components	6-7	3-70
Cabinet, Rear View	10-11	33-142
Control & Burner Components	8-9	1-253
Door Assm.	3	1-227
Wiring Diagram	12	—

SPECIFICATIONS

Model	RM2354
Product Number*	921145030 921145031
Energy Source**	12DC, 120VAC, Gas
AC Heating Element	
Amperage	1.5
Ohm Resis. +/- 10%	80
Wattage	175
DC Heating Element	
Amperage	12.5
Ohm Resis. +/- 10%	0.96
Wattage	150
BTU's Gas Burner	1000
Jet Size	#39
Flue Baffle	
Size	3-15/16" x 25/32"
Position Above Burner	1-15/32"
Ice Trays	0
Crispers	0
Bottle Holders	2
<p>* Product number located on refrigerator data plate. ** 12 volt DC power is required to operate the refrigerator controls on all models.</p>	

DOOR ASSEMBLY



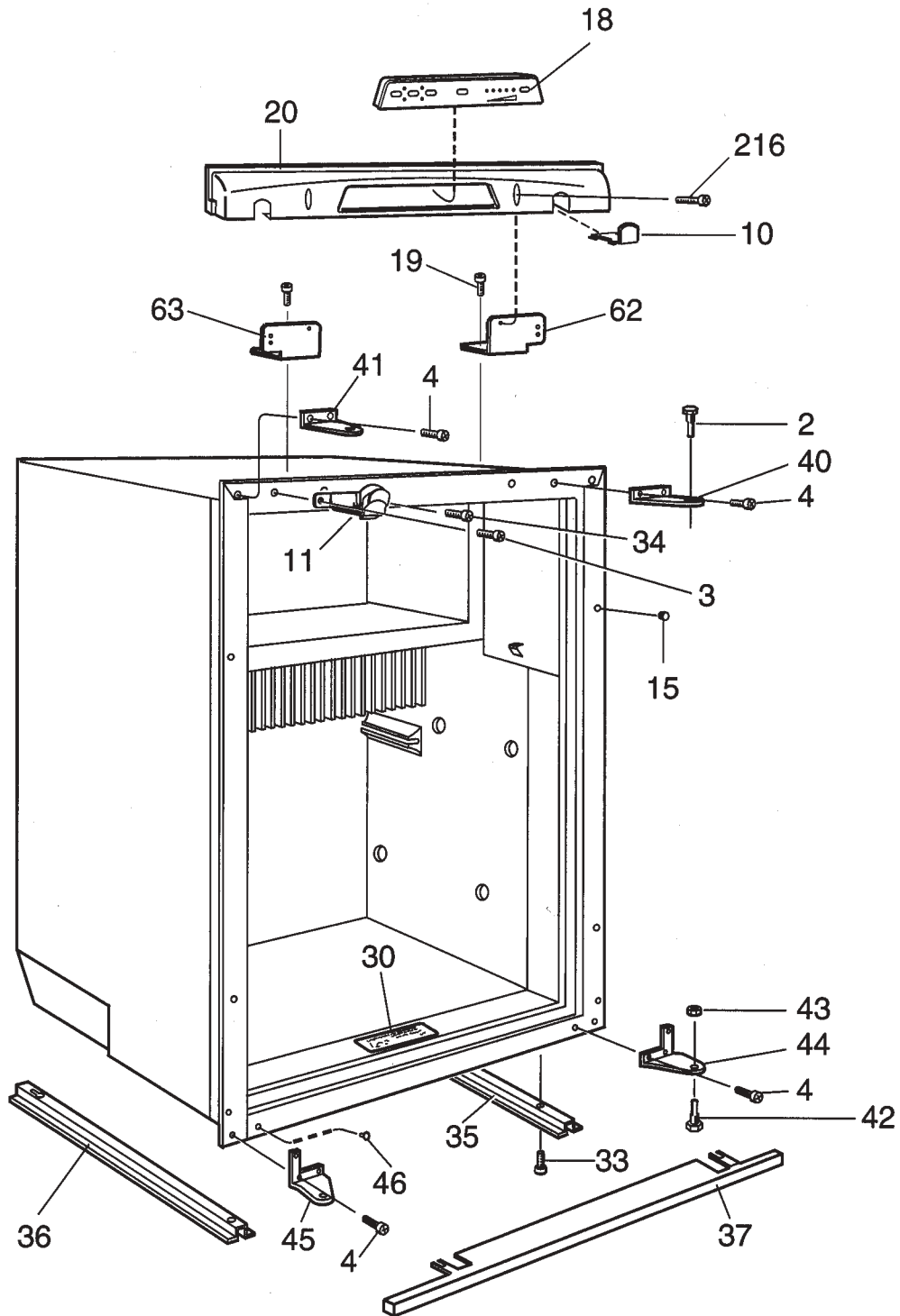
NCMOA2070338

RM2354 921145030 = A
 RM2354 921145031 = B

INDEX	PART NUMBER	MODEL	DESCRIPTION
1	3850272075	A B	Door, Refrigerator-Black
4	2931171066	A B	Bushing, Hinge-Black
5	3850261029	A B	Plug-Black
6	2932588011	A B	Stopper
7	3858002102	A B	Screw, RXS B4x9.5 Zinc
10	2930715053	A B	Bottle Holder 179mm
11	2930715061	A B	Bottle Holder 202mm
14	3850259023	A B	Trim, Bottom-Black
18	2002261242	A B	Door Shelf
20	3850260021	A B	Lock Plate-Black
21	2932722008	A B	Decal
	3850581004	A B	Decal, French
227	3858002037	A B	Screw, RXS B8, 4.2x13

Only Those Parts Identified With An Index Number Are Available For Service Replacement.

CABINET, EXTERIOR COMPONENTS



NCMOB2070414

Only Those Parts Identified With An Index Number Are Available For Service Replacement.

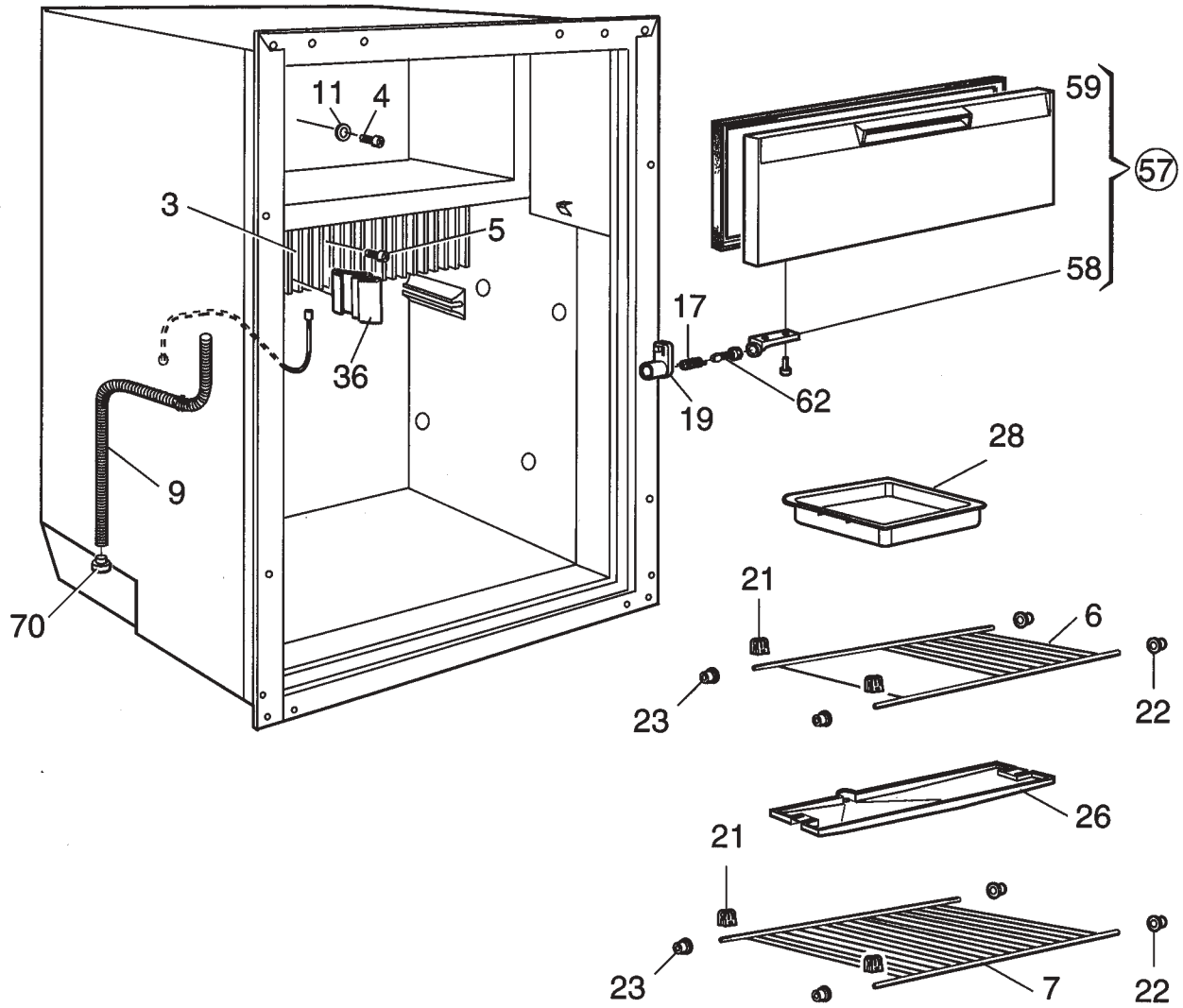
CABINET, EXTERIOR COMPONENTS

RM2354 921145030 = A
RM2354 921145031 = B

INDEX	PART NUMBER	MODEL	DESCRIPTION
2	2932415017	A B	Hinge Pin, Upper
3	3858039088	A B	Screw M5x10, Zinc
4	3858056025	A B	Screw, MFX B6x9.5 Zinc
10	3850263025	A B	Cover Tray-Black
11	3850319025	A B	Lock Latch-Black
15	3850336029	A B	Plug-Black
18	2932884071	A B	Panel, Display Board-Black
19	3858002144	A B	Screw, RXS B6x9.5 Zinc
20	3850759022	A B	Front Decoration, Black
30	2932436005	A B	Decal
33	3858039096	A B	Screw, MRX M5x14
34	3858002219	A B	Screw, RXS B10 4.8x9.5 Zinc
35	2932486018	A B	Runner RH
36	2932486026	A B	Runner LH
37	2932325042	A B	Base Front-Black
40	3850270012	A -	Hinge RH
41	3850271010	- B	HingeLH
42	3850322011	A B	Hinge Pin Lower
43	3858009032	A B	Nut, M6x3.2 Zinc
44	3850340013	A -	Hinge Lower RH
45	3850341011	- B	Hinge Lower LH
46	3850362025	A B	Plug-Black
62	2933056018	A B	Holder
63	2933056026	A B	Holder
216	3858005022	A B	Screw, RXK B6x16
999	3850304027	A B	Door Reversing Kit RH & LH-Black

Only Those Parts Identified With An Index Number Are Available For Service Replacement.

CABINET, INTERIOR COMPONENTS



NCMOD2070342

Only Those Parts Identified With An Index Number Are Available For Service Replacement.

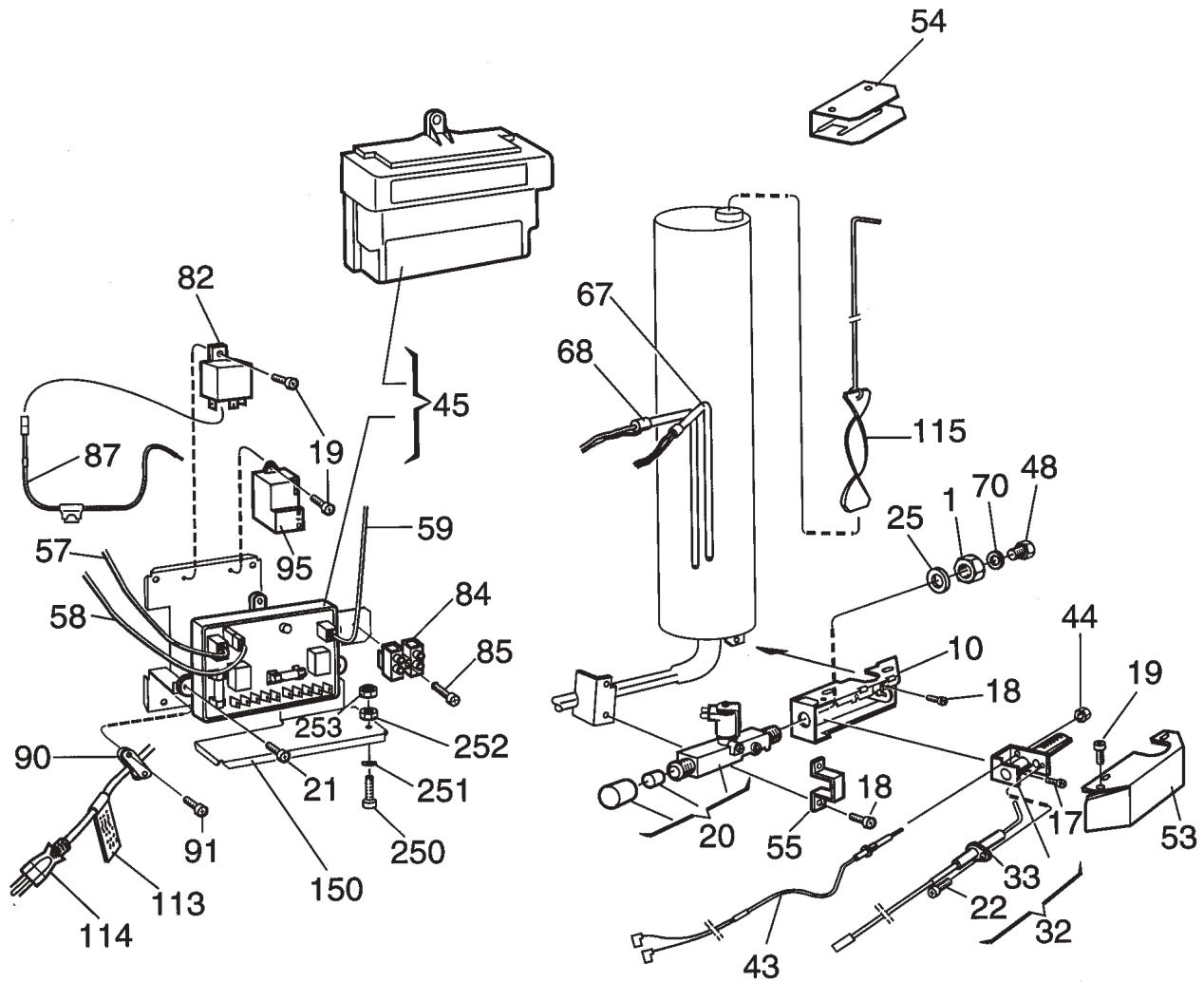
CABINET, INTERIOR COMPONENTS

RM2354 921145030 = A
RM2354 921145031 = B

INDEX	PART NUMBER	MODEL	DESCRIPTION
3	3850291018	A B	Cooling Fin
4	3858036019	A B	Screw, KFXS B10x38
5	3858002292	A B	Screw, RXS B10 4.8x12.5
6	3850301015	A B	Shelf
7	2932022045	A B	Shelf
9	2932749118	A B	Drain Hose BRB 6.4x12.5
11	3858010121	A B	Washer, BRB 6.4x12.5 Stainless
17	2932754019	A B	Spring LH
	2932754027	A B	Spring RH
19	2002236004	A B	Spring Casting LH
	2002236012	A B	Spring Casting RH
21	2932102011	A B	Shelf Support
22	2932101013	A B	Plug
23	2932103019	A B	Plug
26	3850274014	A B	Drip Protection
28	2932636018	A B	Box
36	2932456011	A B	Bracket, Thermister
57	2002239339	A B	Door, Freezer
58	2002244008	A B	Hinge, Freezer Door-White
59	2933145027	A B	Gasket, Freezer Door-White
62	2002238000	A B	Bolt
70	2932115013	A B	Discharge Pipe Plug

Only Those Parts Identified With An Index Number Are Available For Service Replacement.

CONTROL & BURNER COMPONENTS



NCMOH2070415

Only Those Parts Identified With An Index Number Are Available For Service Replacement.

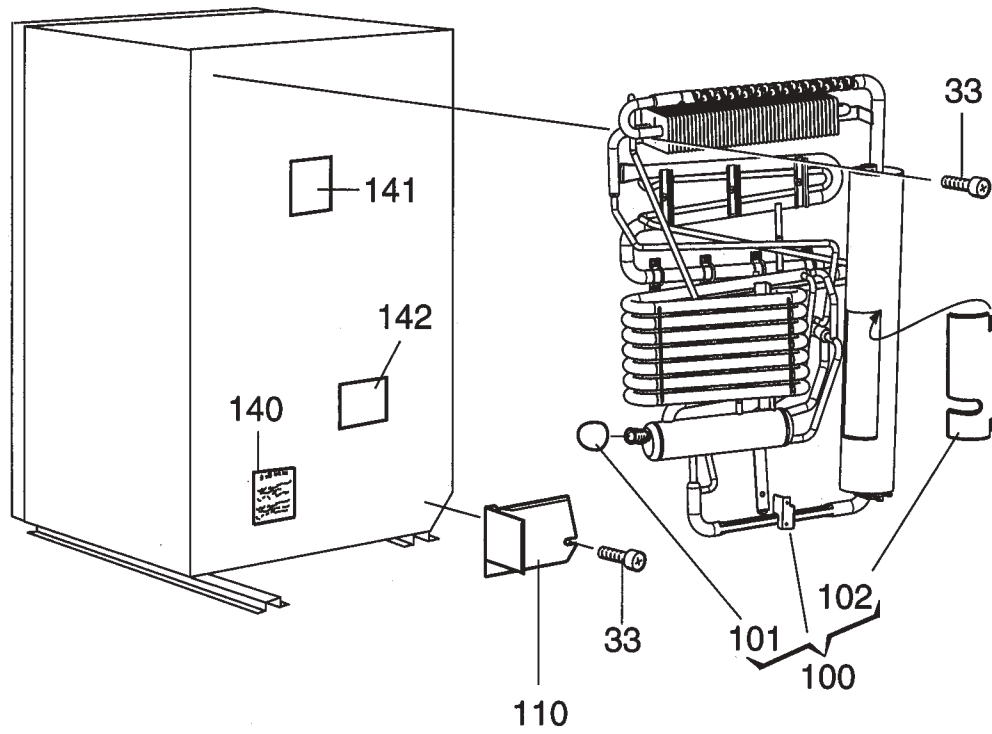
CONTROL & BURNER COMPONENTS

RM2354 921145030 = A
RM2354 921145031 = B

INDEX	PART NUMBER	MODEL	DESCRIPTION
1	0140207044	A B	Nut
10	2932603018	A B	Burner Housing
17	3858039039	A B	Screw, MRX M4x8 Zinc
18	3858039047	A B	Screw, MRX Mx10 Zinc
19	3858002144	A B	Screw, RXS B6x9.5 Zinc
20	2932615012	A B	Solenoid, Vale
21	3858002151	A B	Screw, RXS B6x13 Zinc
22	3858005014	A B	Screw, RXK B6x9.5 Zinc
25	3858010071	A B	Washer, 12.5x18.5x1
32	2930697079	A B	Burner W/Lead
33	2932781012	A B	Electrode W/Lead
43	2932052018	A B	Thermocouple
44	2801043015	A B	Nut
45	3850415013	A B	Power Module, Universal
48	2007419159	A B	Jet #39
53	2932661016	A B	Cover
54	2007598010	A B	Flue Cap
55	2932662014	A B	Bracket
57	2954542037	A B	Lead, PCB
58	2931863035	A B	Lead, Thermister
59	2954540056	A B	Lead, Solenoid Valve
67	0173771023	A B	Heater 175W, 120VAC
68	0173735069	A B	Heater, 150W, 12VDC
70	2007457001	A B	Washer, 0.5mm
82	2930385006	A B	Relay
84	3858022019	A B	Terminal Block
85	3858002185	A B	Screw, RXS B6x19 Zinc
87	2954553018	A B	Wire, w/Fuse
90	2932342013	A B	Cable Clamp
91	3858002177	A B	Screw, RXS B6x19 Zinc
95	2931132027	A B	Reignitor
113	2932733005	A B	Decal
114	2002699110	A B	Power Cord
115	2007172022	A B	Flue Baffle
150	3850754015	A B	Bracket
250	3858004033	A B	Screw, MRX M4x16 Zinc
251	3858011012	A B	Washer, Lock 4.3x8
252	3858009016	A B	Nut, Hex M4x3.2 Zinc
253	3858028024	A B	Lock Nut, M4 Zinc

Only Those Parts Identified With An Index Number Are Available For Service Replacement.

CABINET, REAR VIEW



NCMOE2070343

Only Those Parts Identified With An Index Number Are Available For Service Replacement.

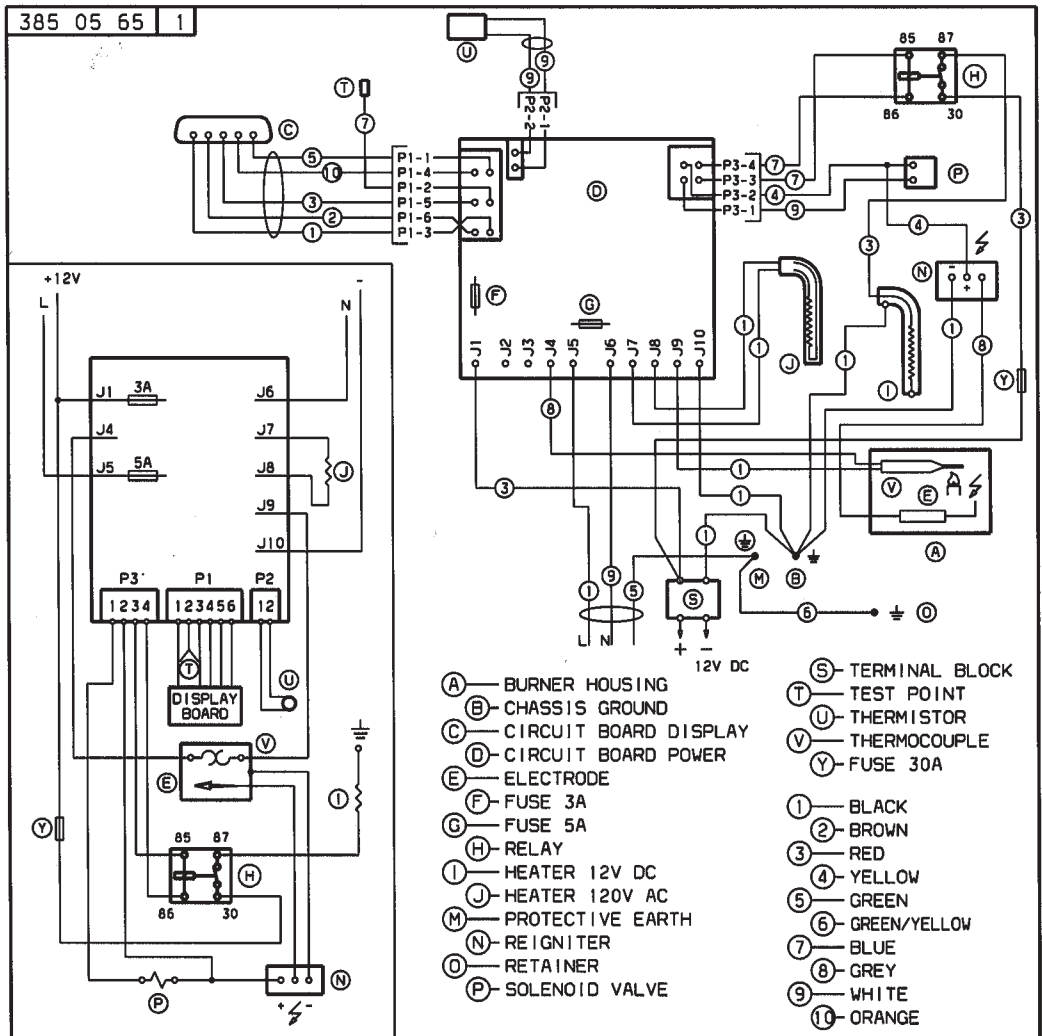
CABINET, REAR VIEW

RM2354 921145030 = A
RM2354 921145031 = B

INDEX	PART NUMBER	MODEL	DESCRIPTION
33	3858039096	A B	Screw, MRX M5X14 Zinc
100	2934341096	A B	Cooling Unit Type341
101	0173228008	A B	Cap
102	2800821007	A B	Cover
110	3850601026	A B	Protection
140	3850582002	A B	Decal
141	3850583000	A B	Decal
142	3850584008	A B	Decal

Only Those Parts Identified With An Index Number Are Available For Service Replacement.

WIRING DIAGRAM



N38505651