



**When ordering parts, always state:**  
 MODEL NO. - PRODUCT NO. - QUANTITY -  
 PART NUMBER - DESCRIPTION  
**For Electric Details also state:**  
 VOLTAGE - WATTAGE

# RM2354 REFRIGERATOR PARTS LIST

**USA**  
 SERVICE OFFICE  
 Dometic Corporation  
 509 South Poplar Street  
 Lagrange, IN 46761  
 574-294-2511

**CANADA**  
 Dometic Distribution  
 866 Langs Drive  
 Cambridge, Ontario  
 CANADA N3H 2N7  
 519-653-4390

**For Service Center  
 Assistance Call:**  
 800-544-4881

Product Number	Model	Voltage	Refrig. Frame Color	Door Style	Door/Door Trim Color	Market	Brand
921145025	RM2354	12-120	TAUPE	LEFT	TAUPE	USA - CAN	DOMETIC
921145027	RM2354	12-120	TAUPE	RIGHT	TAUPE	USA - CAN	DOMETIC

## PARTS LIST

**MODEL  
RM2354  
Series**

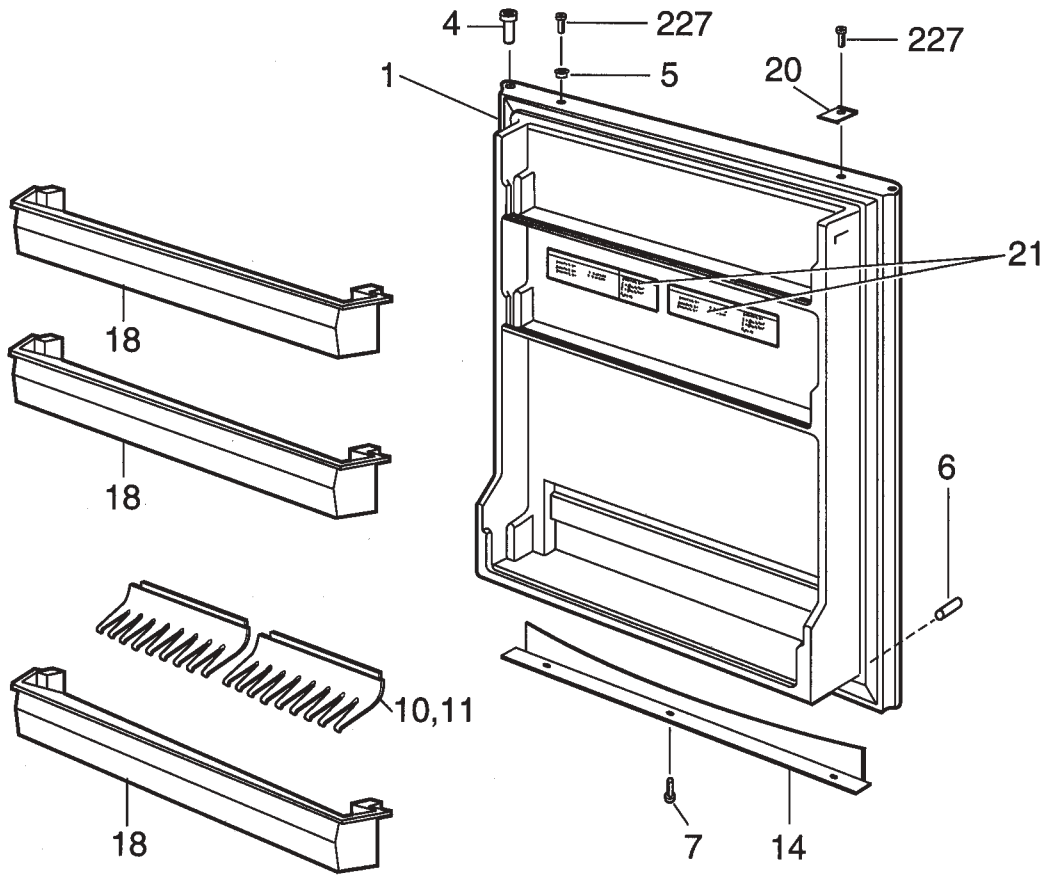
### ALPHABETICAL INDEX

	Page#	Index#
Cabinet, Exterior Components .....	4-5	2-999
Cabinet, Interior Components .....	6-7	3-70
Cabinet, Rear View .....	10-11	33-142
Control & Burner Components .....	8-9	1-253
Door Assm. ....	3	1-227
Wiring Diagram .....	12	—

### SPECIFICATIONS

<b>Model</b>	<b>RM2354</b>
<b>Product Number*</b>	921145025 921145027
<b>Energy Source**</b>	12DC, 120VAC, Gas
<b>AC Heating Element</b>	
<b>Amperage</b>	1.5
<b>Ohm Resis. +/- 10%</b>	80
<b>Wattage</b>	175
<b>DC Heating Element</b>	
<b>Amperage</b>	12.5
<b>Ohm Resis. +/- 10%</b>	0.96
<b>Wattage</b>	150
<b>BTU's Gas Burner</b>	1000
<b>Jet Size</b>	#39
<b>Flue Baffle</b>	
<b>Size</b>	3-15/16" x 25/32"
<b>Position Above Burner</b>	1-15/32"
<b>Ice Trays</b>	0
<b>Crispers</b>	0
<b>Bottle Holders</b>	2
<p>* Product number located on refrigerator data plate.                      ** 12 volt DC power is required to operate the refrigerator controls on all models.</p>	

## DOOR ASSEMBLY



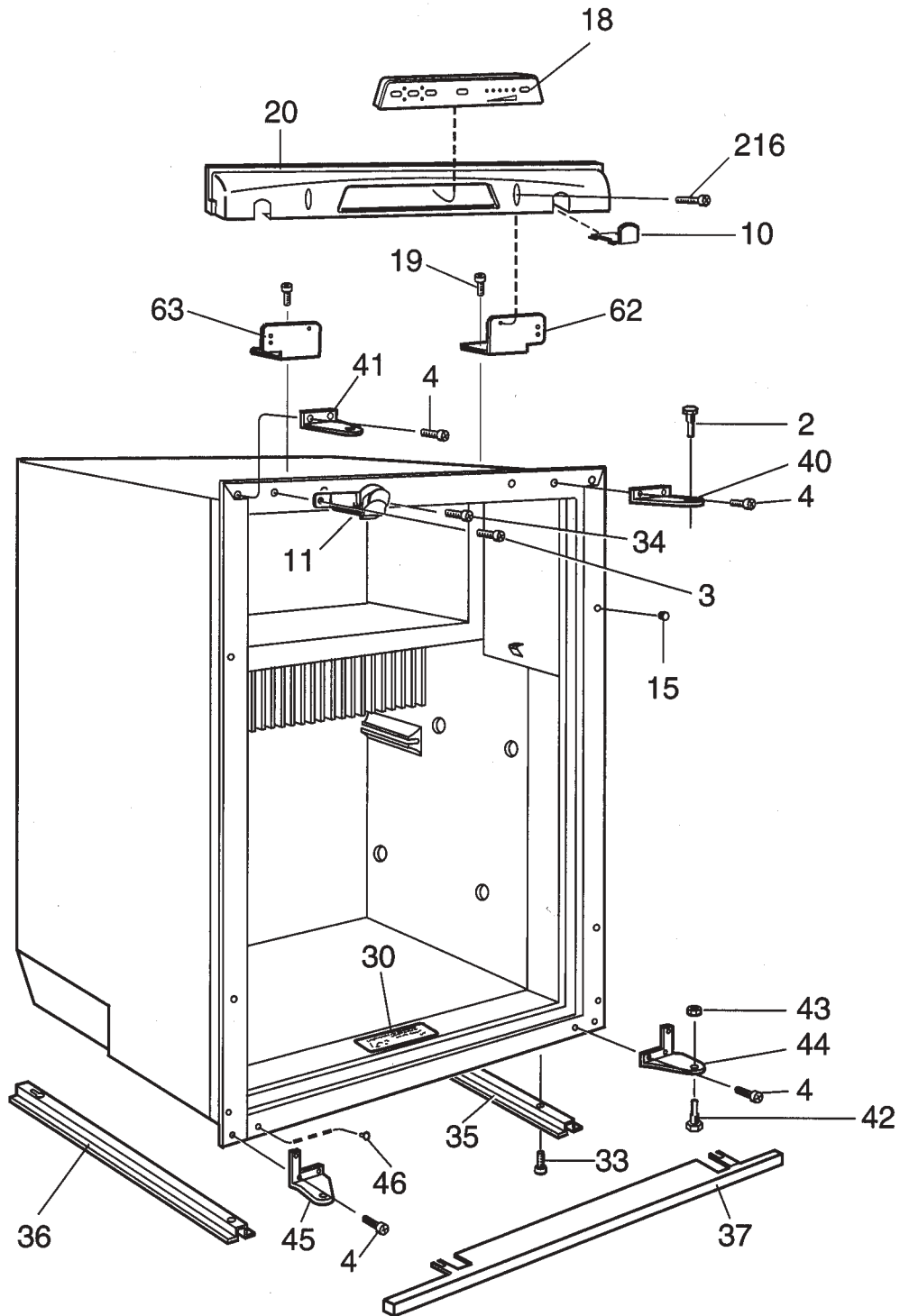
NCMOA2070338

RM2354 921145025 = A  
 RM2354 921145027 = B

INDEX	PART NUMBER	MODEL	DESCRIPTION
1	3850272067	A B	Door, Refrigerator
4	2931171041	A B	Bushing, Hinge
5	3850261011	A B	Plug
6	2932588011	A B	Stopper
7	3858002102	A B	Screw, RXS B4x9.5 Zinc
10	2930715053	A B	Bottle Holder 179mm
11	2930715061	A B	Bottle Holder 202mm
14	3850259015	A B	Trim, Bottom
18	2002261242	A B	Door Shelf
20	3850260013	A B	lock Plate
21	2932722008	A B	Decal
	3850581004	A B	Decal, French
227	3858002037	A B	Screw, RXS B8, 4.2x13

Only Those Parts Identified With An Index Number Are Available For Service Replacement.

# CABINET, EXTERIOR COMPONENTS



NCMOB2070414

Only Those Parts Identified With An Index Number Are Available For Service Replacement.

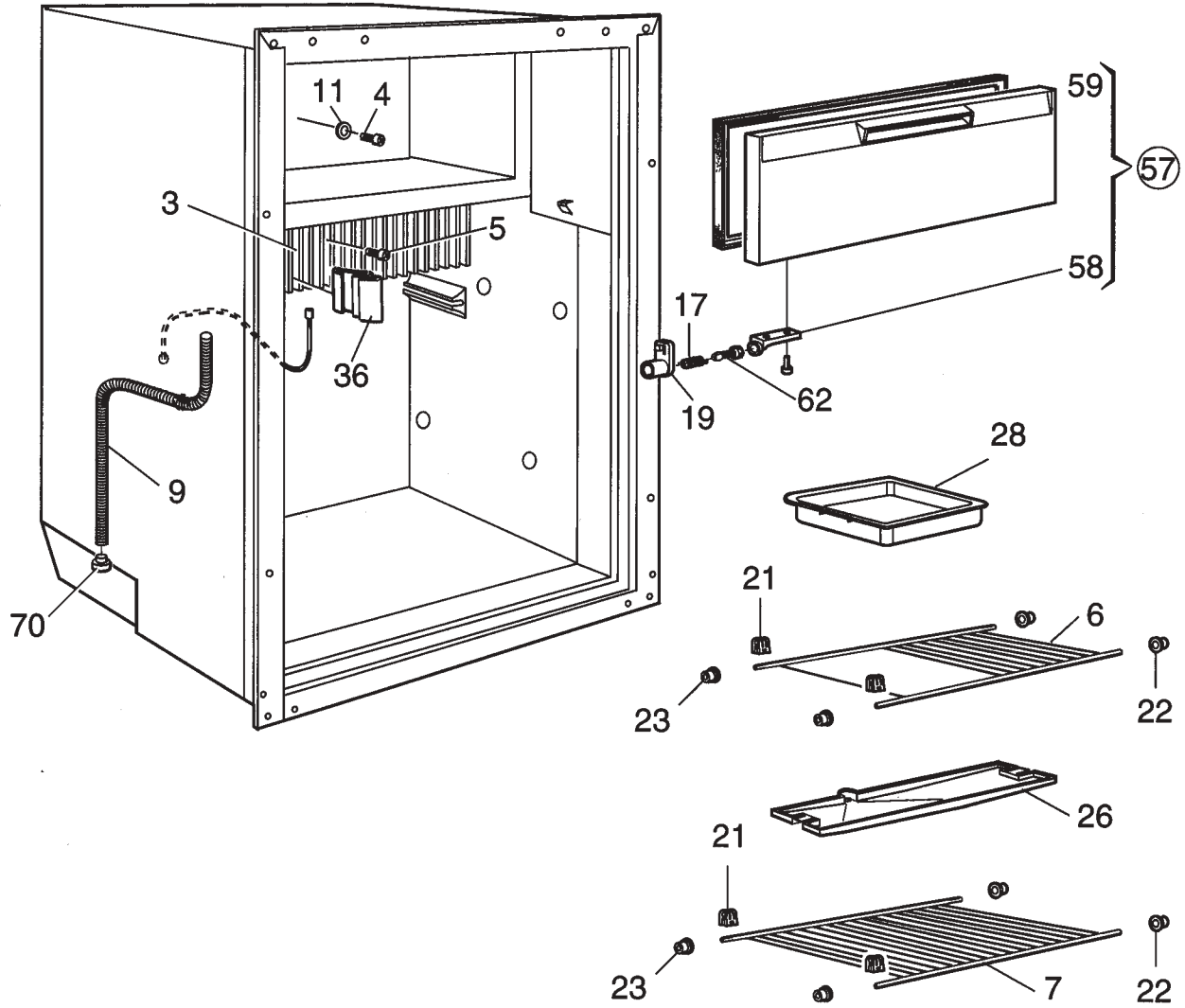
## CABINET, EXTERIOR COMPONENTS

**RM2354 921145025 = A**  
**RM2354 921145027 = B**

INDEX	PART NUMBER	MODEL	DESCRIPTION
2	2932415017	A B	Hinge Pin, Upper
3	3858039088	A B	Screw M5x10, Zinc
4	3858056025	A B	Screw, MFX B6x9.5 Zinc
10	3850263017	A B	Cover Tray
11	3850319017	A B	Lock Latch
15	3850336011	A B	Plug
18	2932884030	A B	Panel, Display Board
19	3858002144	A B	Screw, RXS B6x9.5 Zinc
20	3850759014	A B	Front Decoration, Brown
30	2932436005	A B	Decal
33	3858039096	A B	Screw, MRX M5x14
34	3858002219	A B	Screw, RXS B10 4.8x9.5 Zinc
35	2932486018	A B	Runner RH
36	2932486026	A B	Runner LH
37	2932325026	A B	Base Front
40	3850270012	A -	Hinge RH
41	3850271010	- B	HingeLH
42	3850322011	A B	Hinge Pin Lower
43	3858009032	A B	Nut, M6x3.2 Zinc
44	3850340013	A -	Hinge Lower RH
45	3850341011	- B	Hinge Lower LH
46	3850362017	A B	Plug
62	2933056018	A B	Holder
63	2933056026	A B	Holder
216	3858005022	A B	Screw, RXK B6x16
999	3850304019	A B	Door Reversing Kit RH & LH

**Only Those Parts Identified With An Index Number Are Available For Service Replacement.**

## CABINET, INTERIOR COMPONENTS



NCMOD2070342

Only Those Parts Identified With An Index Number Are Available For Service Replacement.

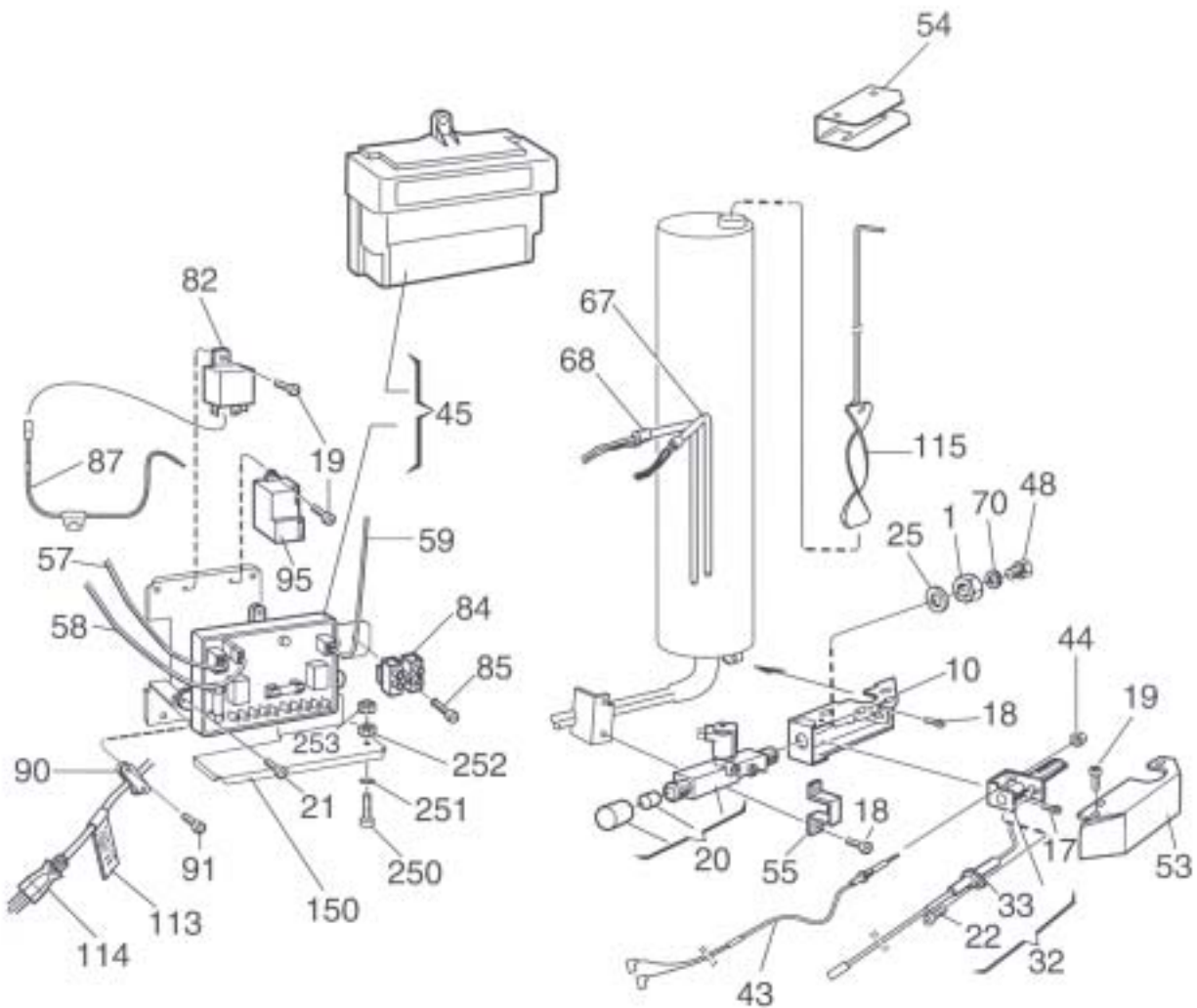
## CABINET, INTERIOR COMPONENTS

RM2354    921145025 = A  
 RM2354    921145027 = B

INDEX	PART NUMBER	MODEL	DESCRIPTION
3	3850291018	A B	Cooling Fin
4	3858036019	A B	Screw, KFXS B10x38
5	3858002292	A B	Screw, RXS B10 4.8x12.5
6	3850301015	A B	Shelf
7	2932022045	A B	Shelf
9	2932749118	A B	Drain Hose BRB 6.4x12.5
11	3858010121	A B	Washer, BRB 6.4x12.5 Stainless
17	2932754019	A B	Spring LH
	2932754027	A B	Spring RH
19	2002236004	A B	Spring Casting LH
	2002236012	A B	Spring Casting RH
21	2932102011	A B	Shelf Support
22	2932101013	A B	Plug
23	2932103019	A B	Plug
26	3850274014	A B	Drip Protection
28	2932636018	A B	Box
36	2932456011	A B	Bracket, Thermister
57	2002239339	A B	Door, Freezer
58	2002244008	A B	Hinge, Freezer Door-White
59	2933145027	A B	Gasket, Freezer Door-White
62	2002238000	A B	Bolt
70	2932115013	A B	Discharge Pipe Plug

Only Those Parts Identified With An Index Number Are Available For Service Replacement.

## CONTROL & BURNER COMPONENTS



NCMOH2070415

Only Those Parts Identified With An Index Number Are Available For Service Replacement.



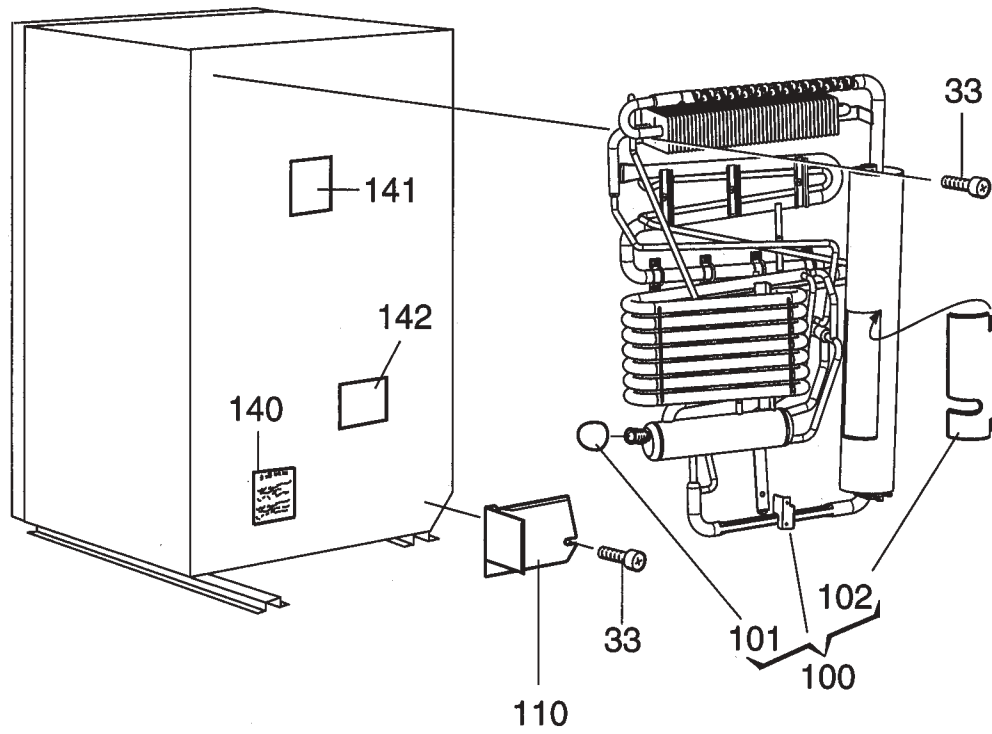
## CONTROL & BURNER COMPONENTS

RM2354 921145025 = A  
RM2354 921145027 = B

INDEX	PART NUMBER	MODEL	DESCRIPTION
1	0140207044	A B	Nut
10	2932603018	A B	Burner Housing
17	3858039039	A B	Screw, MRX M4x8 Zinc
18	3858039047	A B	Screw, MRX Mx10 Zinc
19	3858002144	A B	Screw, RXS B6x9.5 Zinc
20	2932615012	A B	Solenoid Valve
21	3858002151	A B	Screw, RXS B6x13 Zinc
22	3858005014	A B	Screw, RXK B6x9.5 Zinc
25	3858010071	A B	Washer, 12.5x18.5x1
32	2930697079	A B	Burner W/Lead
33	2932781012	A B	Electrode W/Lead
43	2932052018	A B	Thermocouple
44	2801043015	A B	Nut
45	3850415013	A B	Power Module, Universal
48	2007419159	A B	Jet #39
53	2932661016	A B	Cover
54	2007598010	A B	Flue Cap
55	2932662014	A B	Bracket
57	2954542037	A B	Lead, PCB
58	2931863035	A B	Lead, Thermister
59	2954540056	A B	Lead, Solenoid Valve
67	0173771023	A B	Heater 175W, 120VAC
68	0173735069	A B	Heater, 150W, 12VDC
70	2007457001	A B	Washer, 0.5mm
82	2930385006	A B	Relay
84	3858022019	A B	Terminal Block
85	3858002185	A B	Screw, RXS B6x19 Zinc
87	2954553018	A B	Wire, w/Fuse
90	2932342013	A B	Cable Clamp
91	3858002177	A B	Screw, RXS B6x19 Zinc
95	2931132027	A B	Reignitor
113	2932733005	A B	Decal
114	2002699110	A B	Power Cord
115	2007172022	A B	Flue Baffle
150	3850754015	A B	Bracket
250	3858004033	A B	Screw, MRX M4x16 Zinc
251	3858011012	A B	Washer, Lock 4.3x8
252	3858009016	A B	Nut, Hex M4x3.2 Zinc
253	3858028024	A B	Lock Nut, M4 Zinc

Only Those Parts Identified With An Index Number Are Available For Service Replacement.

# CABINET, REAR VIEW



NCMOE2070343

Only Those Parts Identified With An Index Number Are Available For Service Replacement.

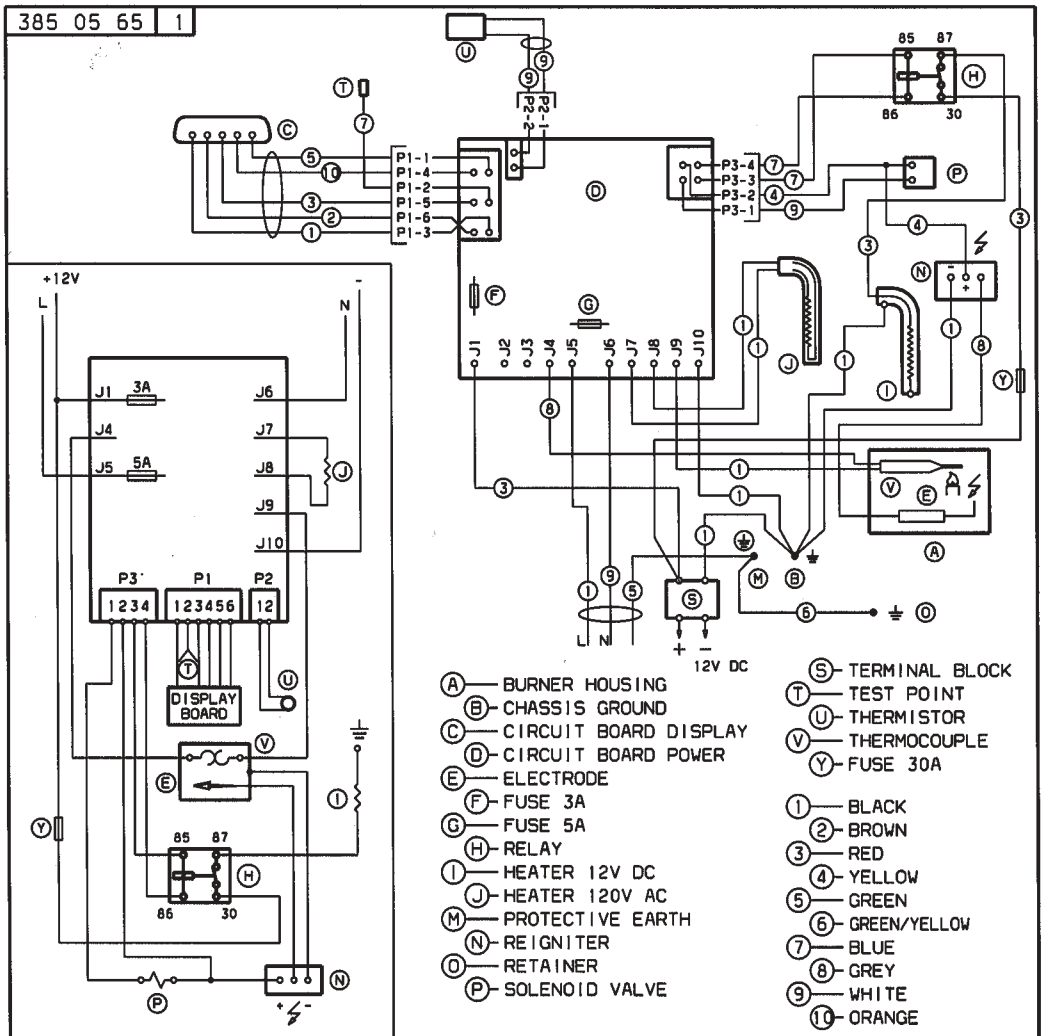
**CABINET, REAR VIEW**

RM2354 921145025 = A  
RM2354 921145027 = B

<b>INDEX</b>	<b>PART NUMBER</b>	<b>MODEL</b>	<b>DESCRIPTION</b>
33	3858039096	A B	Screw, MRX M5X14 Zinc
100	2934341096	A B	Cooling Unit Type341
101	0173228008	A B	Cap
102	2800821007	A B	Cover
110	3850601026	A B	Protection
140	3850582002	A B	Decal
141	3850583000	A B	Decal
142	3850584008	A B	Decal

Only Those Parts Identified With An Index Number Are Available For Service Replacement.

# WIRING DIAGRAM



N38505651