

SLIDE TOPPER SIZING

A. Slide Out Room And Slide Topper Dimensions

1. Full extension of slide out room **MUST NOT** exceed 44". See (FIG. 1).
2. Determine Slide Topper width.

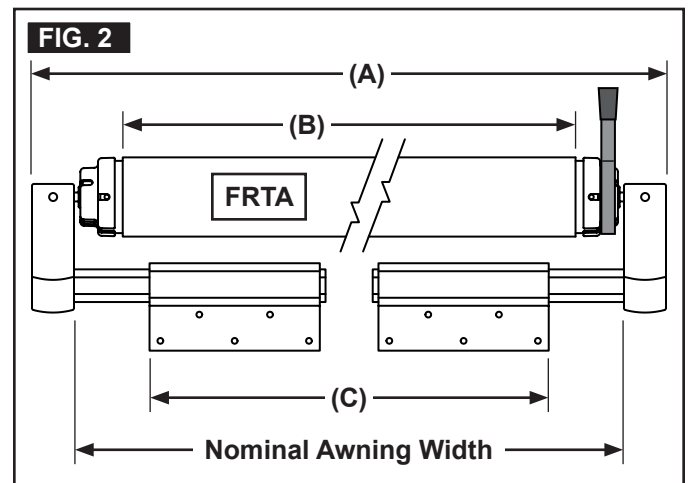
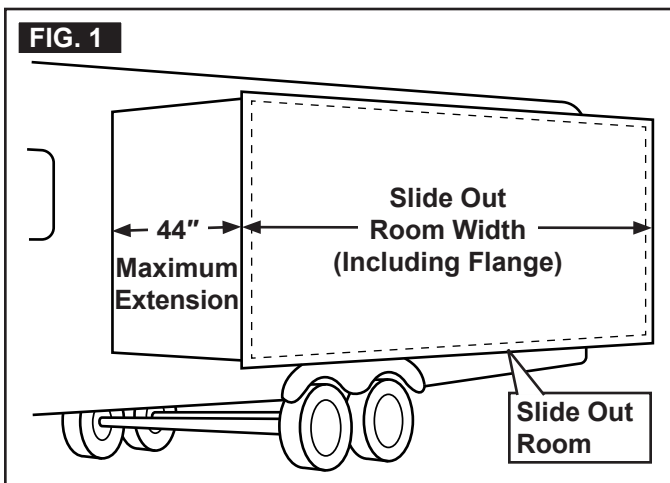
i Slide Toppers 198" or wider **REQUIRE** a bracket option that includes **STEEL** extensions; a second anti-billow stop kit and anti-billow bracket kit (one at each end cap); a cradle kit for center support (of FRTA).

Slide Toppers 360" or wider may use a second (optional) cradle kit.

The Elite Slide Topper is not available in sizes 198" or wider.

- a. Measure slide out room width. See (FIG. 1).
- b. Match Slide Topper fabric width (B) as closely as possible to slide out room width. See (FIG. 1) & (FIG. 2).

i Slide Topper fabric should completely cover slide out room. See table for selection guidance.



Nominal Awning Width	SLIDE OUT ROOM WIDTH (Including Flange) (Subtract Value Below From Nominal Awning Width)		SLIDE TOPPER AWNING WIDTH (Add/Subtract Value Below To/From Nominal Awning Width)		(C) MOUNTING BRACKET SPACING (Subtract Value Below From Nominal Awning Width)	
	Minimum	Maximum	(A) Overall	(B) Fabric	15 3/8" Extension Minimum	18 5/8" Extension Minimum
< 150" Example: 102"	- 10" 92"	- 4 1/4" 97 3/4"	+ 2 7/8" 104 7/8"	- 4 1/2" 97 1/2"	- 14" 88"	- 20 1/2" 81 1/2"
≥ 150" Example: 162"	- 10 1/2" 151 1/2"	- 4 3/4" 157 1/4"	+ 2 3/8" 164 3/8"	- 5" 157"	- 14 1/2" 147 1/2"	- 21" 141"

REVISION

Form No. 3106883.055 01/13
(Replaces 3106883.048)
(French 3108157.037)
©2013 Dometic Corporation
LaGrange, IN 46761

USA

SERVICE OFFICE
Dometic Corporation
2320 Industrial Parkway
Elkhart, IN 46516

CANADA

Dometic Corporation
46 Zatonski, Unit 3
Brantford, ON N3T 5L8
CANADA

For Service Center Or Dealer Locations Please Visit:

www.eDometic.com
OR
www.RV.com

MOUNTING BRACKETS

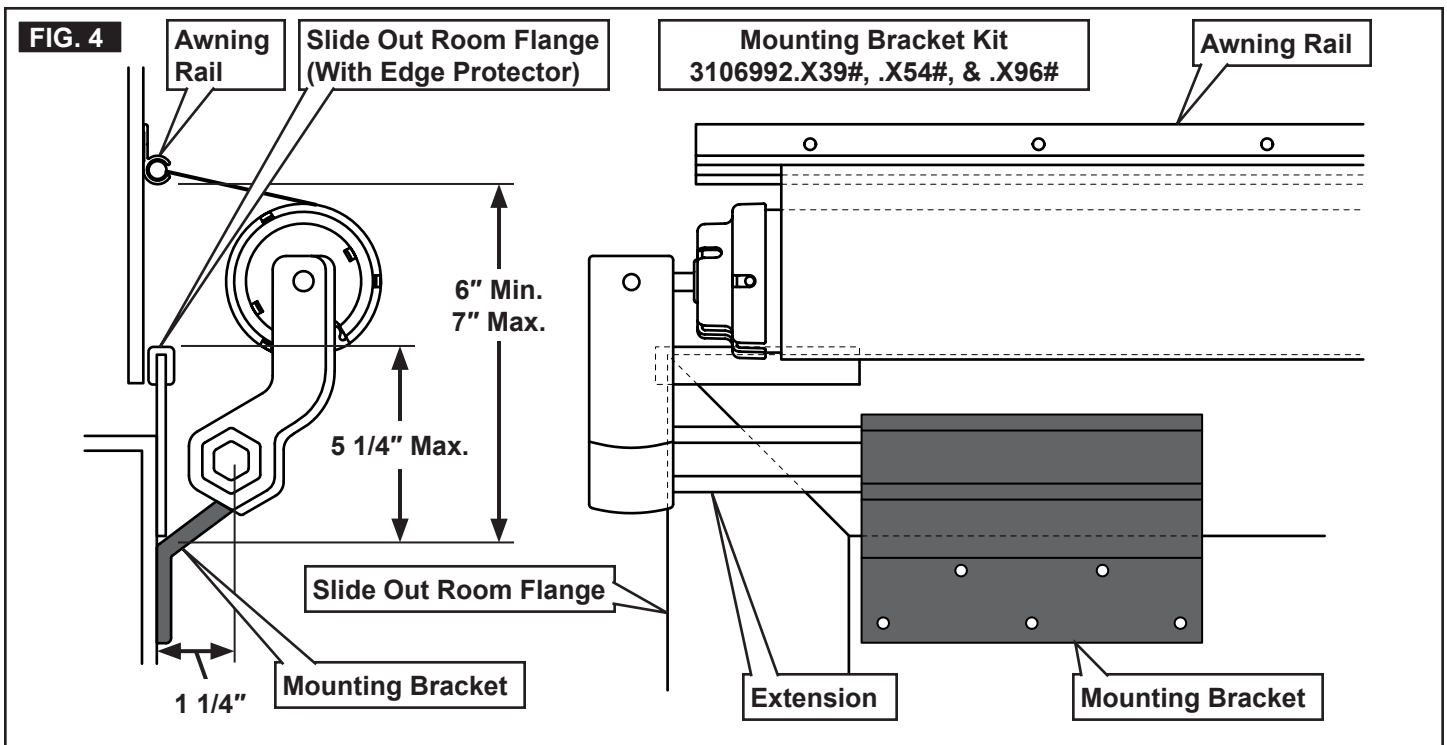
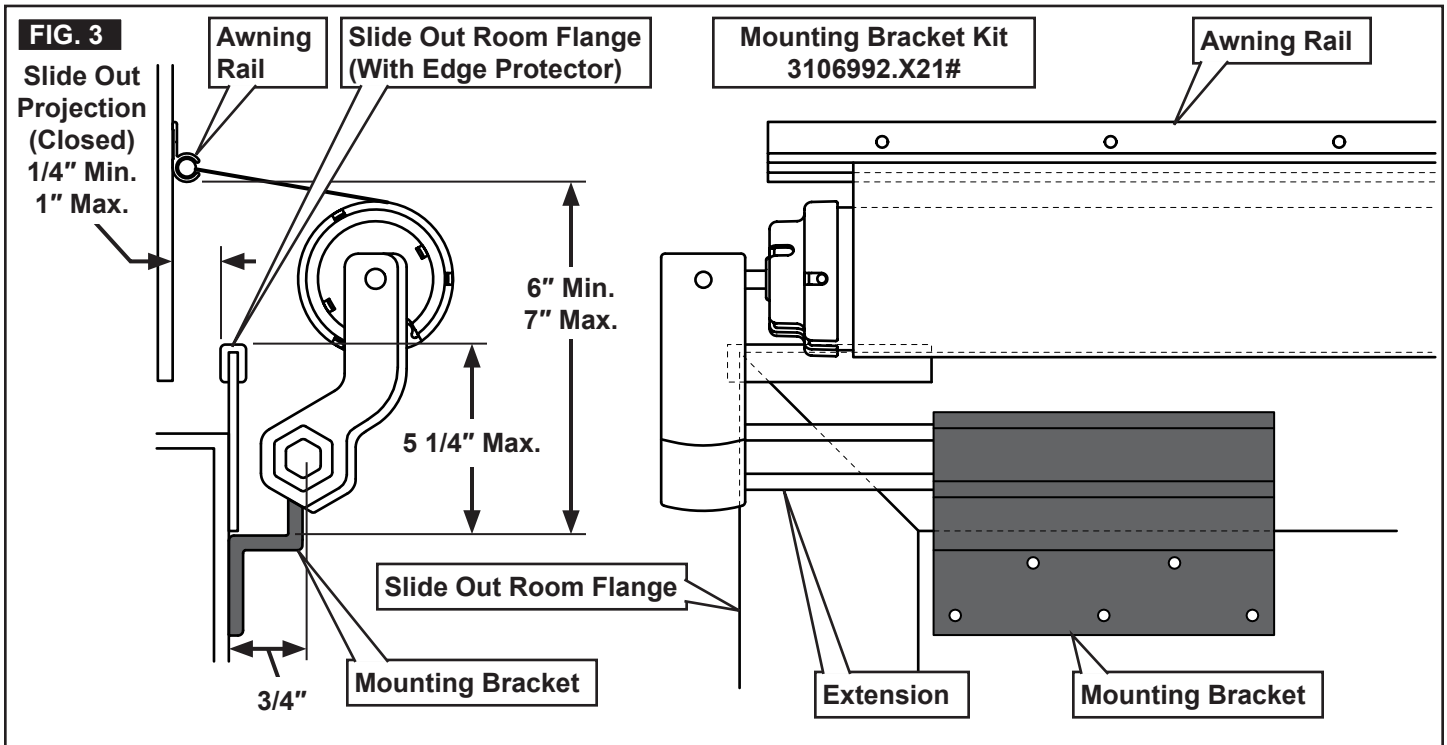
A. Mounting Bracket Selection

1. Determine mounting bracket type. See (FIG. 3), (FIG. 4), & (FIG. 5).

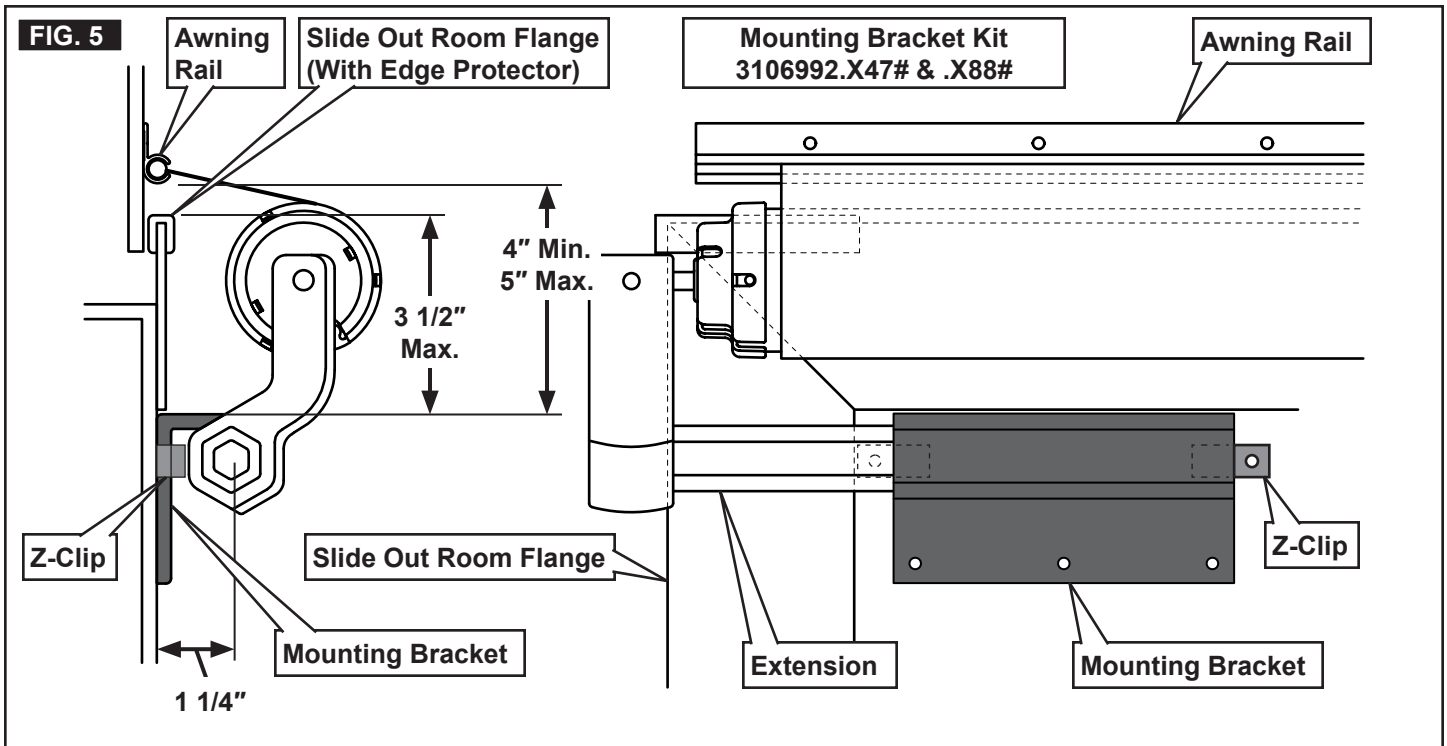


Mounting brackets may be installed on slide out room flange **ONLY** if it provides solid structural support.

The 3106992.X21# mounting bracket kit will accommodate slide out rooms that project 1/4" to 1" beyond RV wall (when closed). This kit is not for use on slide out rooms that close flush to RV wall.



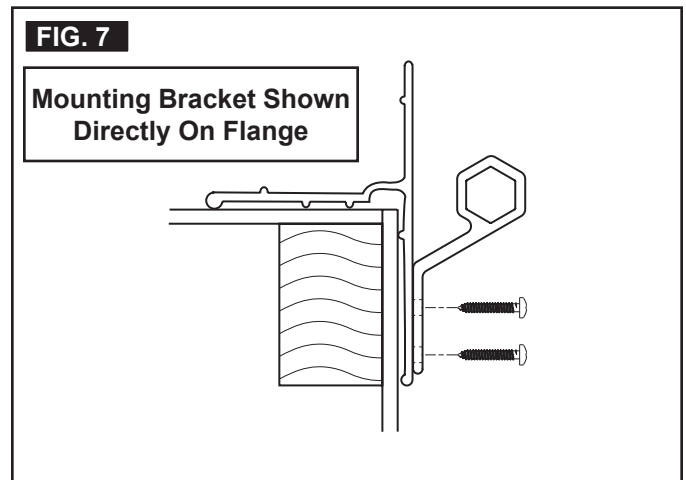
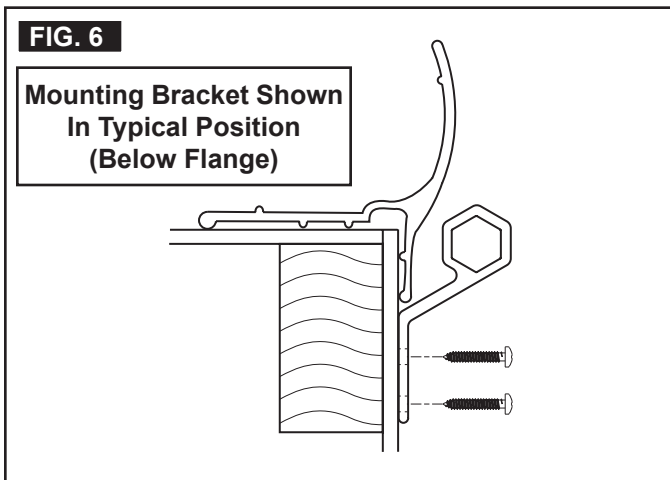
MOUNTING BRACKETS



2. Determine mounting bracket location relating to awning rail and slide out room flange. See (FIG. 3), (FIG. 4), (FIG. 5), (FIG. 6), & (FIG. 7).

i If slide out room has extra large flanges, it may be necessary to install mounting brackets directly on flange, but **ONLY** if it provides solid structural support.

To help accommodate water and debris runoff, awning fabric should have as steep a pitch (slope) as feasible without exceeding the maximum distance shown between awning rail and mounting bracket. Exceeding the maximum distance will expose awning fabric to catch wind (causing fabric to billow or tear).



MOUNTING BRACKETS

B. Mounting Bracket Spacer (Optional)

If slide out room flange has special features (large curve, recessed into RV wall, etc.) that will interfere with normal operation of Slide Topper, a mounting bracket spacer (NOT INCLUDED) must be installed. See (FIG. 8) & (FIG. 9).

