



REFRIGERATION REFRIGERATORS

EN 24 in. Refrigerator Side Vent Assembly

Product Change Notice

USA & Canada
Service Office
Dometic Corporation
1120 North Main Street
Elkhart, IN 46514

**Service Center &
Dealer Locations**
Visit:
www.dometic.com

Current production 24 in. (610 mm) refrigerator side vent assemblies are undergoing a non-safety related design change.

Change Description:

Changes to the 24 in. (610 mm) refrigerator side vent assembly (side vent) design include:

- Additional screws required for mounting the frame
- Placement of the vent door in the bottom vent location
- Placement of the latches at the top of the assembly

i The new side vent is mounted in the same size cutout as the existing side vent: 21.6 in. (548 mm) x 13.75 in. (350 mm).

Action:

The new side vent design replaces the existing side vent design.

The new side vent is interchangeable with the previous version, so the existing side vent will no longer be available for purchase.

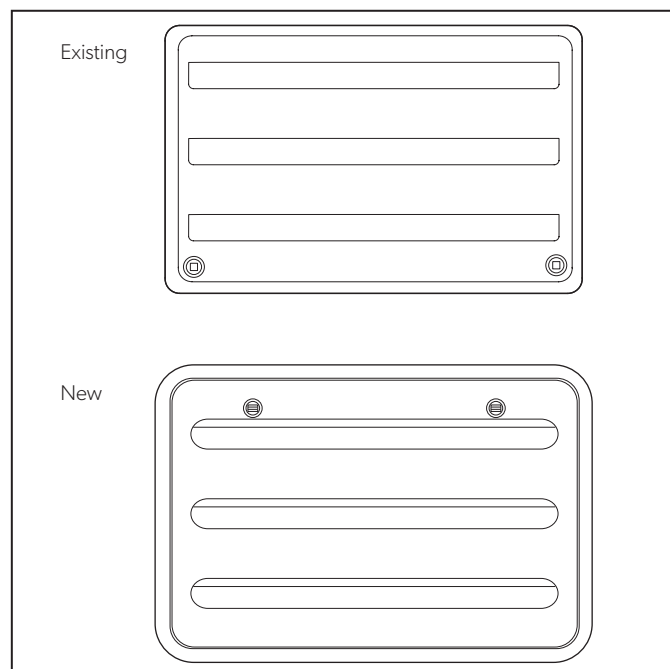
Existing side vent inventory can be used until depleted. No replacement inventory is necessary.

The part number for the side vent will change as follows:

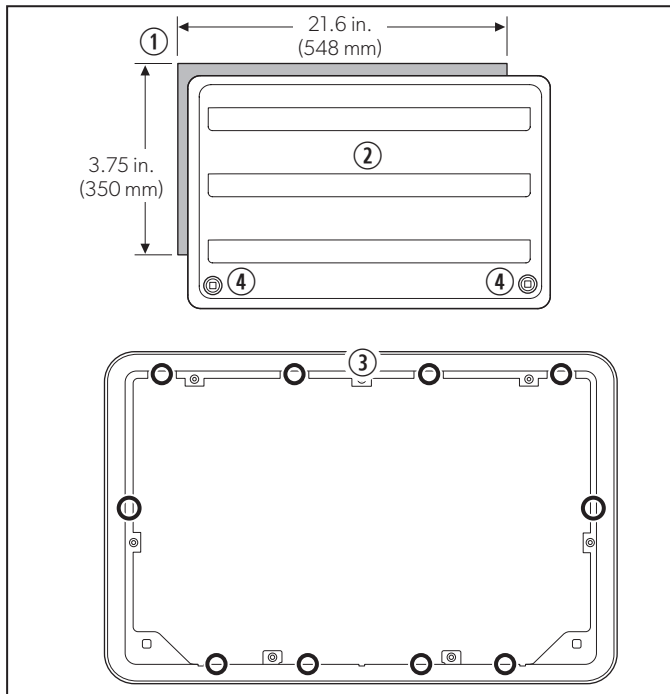
- Existing Part Number: 3109350.XXX
- New Part Number: 3316941.XXX

Figure 1 shows the existing side vent design and the new side vent design.

Figure 2 and Figure 3 show the changes to the screw locations, vent door, and latch components of the side vent.



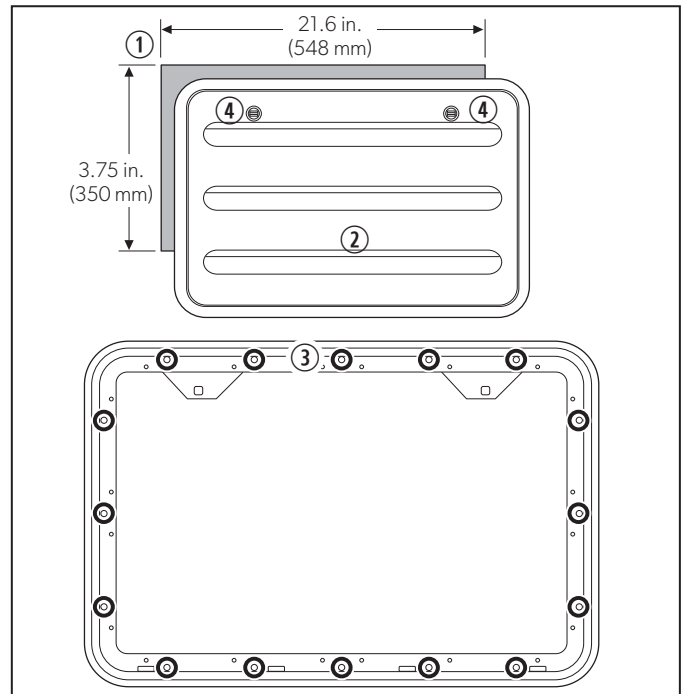
1 Existing and New Refrigerator Side Vent Assembly Designs



2 Existing Refrigerator Side Vent Assembly Components

- ① Cutout
- ② Vent door
- ③ Flange
- ④ Latch

- There are ten #10 screw locations.
- Screws are placed on the inside flange of the frame.



3 New Refrigerator Side Vent Assembly Components

- ① Cutout
- ② Vent door
- ③ Flange
- ④ Latch

- There are sixteen #10 screw locations.
- Screws are placed on the front flange of the frame.